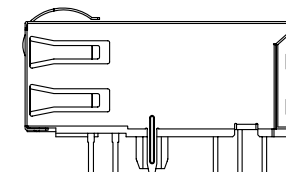
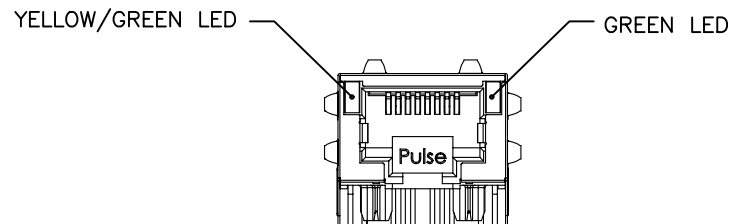
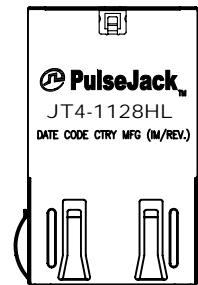


NOTES:

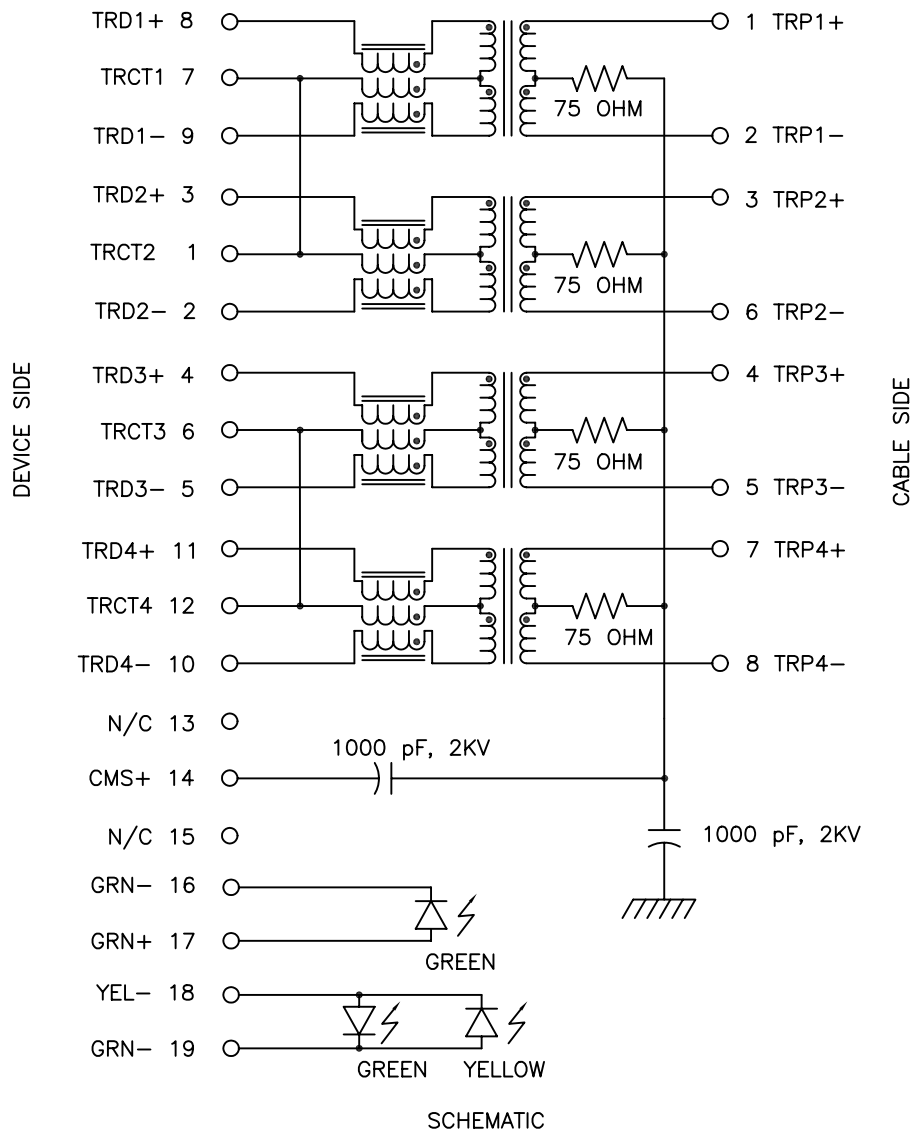
1. ROHS COMPLIANT
2. PLASTIC HOUSING: THERMOPLASTIC MATERIAL WITH FLAMMABILITY RATING UL 94V-0 OR BETTER.
3. CONTACTS PLATING: 50 MICRO-INCH GOLD PLATING.
4. CONTACTS BASE MATERIAL: PHOSPHOR BRONZE
5. UNDER PLATING: 30-50μ INCHES NICKEL
6. SOLDER TAIL PLATING : 200-500 μINCHES 100% TIN, MATTE FINISH.
7. METAL SHIELD: NICKEL PLATING ON COPPER ALLOY.
8. JACK CAVITY CONFORMS TO FCC PART 68 SUBPART.
9. PCB PLATING: HASL
10. STORAGE TEMPERATURE: -20°C TO +125°C
11. COMPLIANCE TO J-STD:
  - A. J-STD-002: SOLDERABILITY AT 245°C DIP AND LOOK TEST
  - B. J-STD-020: LEVEL 1, NO MOISTURE SENSITIVE
  - C. J-STD-075: W2, 270°C MAXIMUM THROUGH WAVE SOLDER



FINAL OUTLINE

© Copyright, 2014. Pulse Electronics Corp. All rights reserved. Pulse confidential & proprietary. (12/09/14)

| PRODUCT DESCRIPTION              | TLA DRAWING   | PS DRAWING    | SHEET  | PART NO.   | DATASHEET REV. |
|----------------------------------|---------------|---------------|--------|------------|----------------|
| CONN,RJ45,1X1,10G,5C,MRVL,1:1,TD | JT4-1128HL-P2 | PS-2615.020-B | 1 OF 5 | JT4-1128HL | A              |



ELECTRICAL CHARACTERISTICS AT +25°C UNLESS OTHER SPECIFIED  
MEETS IEEE 802.3 SPECIFICATION

| PARAMETER                                    | SPECIFICATIONS               |                           |             |
|--|------------------------------|---------------------------|-------------|
| OPERATING TEMP                               | 0°C TO +70°C                 |                           |             |
| TURNS RATIO                                  | 1.00 ± 2%                    |                           |             |
| POLARITY                                     | PER SCHEMATIC                |                           |             |
| INSERTION LOSS (DATA CHANNELS)               | 100 KHz                      | 1-400 MHz                 |             |
|  | -3.0 dB MAX                  | -2.0 dB MAX (-1.4 dB TYP) |             |
| INSERTION LOSS (CM SENSE CHANNELS)           | 3-500 MHz                    |                           |             |
|  | -5.0 dB MAX (-4 dB TYP)      |                           |             |
| RETURN LOSS (Z OUT = 100 OHM ± 1%)           | 1-100 MHz                    | 100 MHz-500 MHz           |             |
|  | -22 dB MIN                   | -22 + 18.27*LOG (f/100)   |             |
| INDUCTANCE (OCL)                             | 150 uH MIN @ 100 kHz, 100 mV |                           |             |
| CROSSTALK, ADJACENT CHANNELS                 | 1-100 MHz                    | 100-500 MHz               |             |
|  | -28 dB MIN                   | -19 dB MIN                |             |
| COMMON MODE REJECTION RATIO                  | 1-40 MHz                     | 40-100 MHz                | 100-500 MHz |
|  | -30 dB MIN                   | -28 dB MIN                | -26 dB MIN  |
|  |                              |                           |             |
| COMMON TO DIFFERENTIAL MODE REJECTION (CDMR) | 1-250 MHz                    |                           | 250-500 MHz |
|  | -30 dB MIN                   |                           | -22 dB MIN  |
| INPUT - OUTPUT ISOLATION                     | 2250 VDC MIN @ 60 SECONDS    |                           |             |

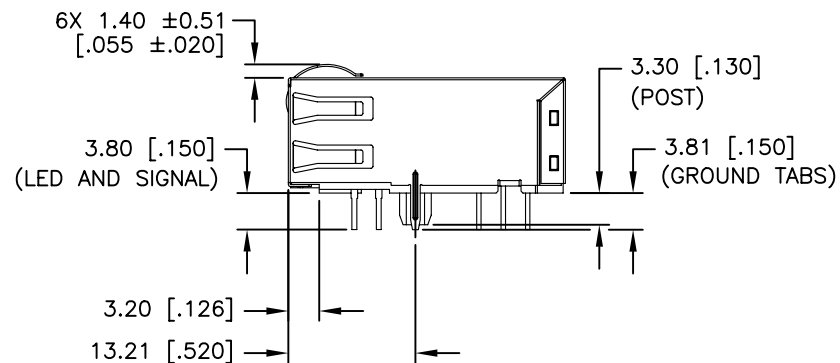
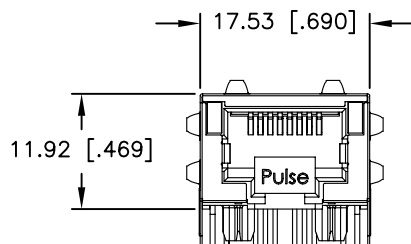
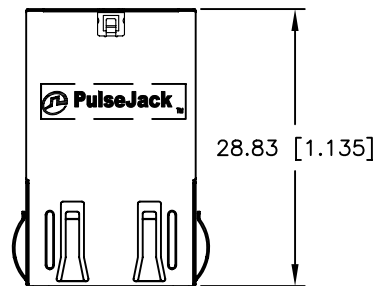
NOTE: f IS FREQUENCY IN MHZ.

|                            |            |            |
|----------------------------|------------|------------|
| EMMITTED COLOR             | GREEN      | YELLOW     |
| WAVELENGTH (nm)            | 565        | 588        |
| POWER DISSIPATION (Pd)     | 105 mW MAX | 100 mW MAX |
| DC FORWARD CURRENT         | 25 mA MAX  | 30 mA MAX  |
| FORWARD VOLTAGE (VF) @20mA | 2.2 V TYP  | 2.1 V TYP  |

NOTE: PER VENDOR'S SPECIFICATION

© Copyright, 2014. Pulse Electronics Corp. All rights reserved. Pulse confidential & proprietary. (12/09/14)

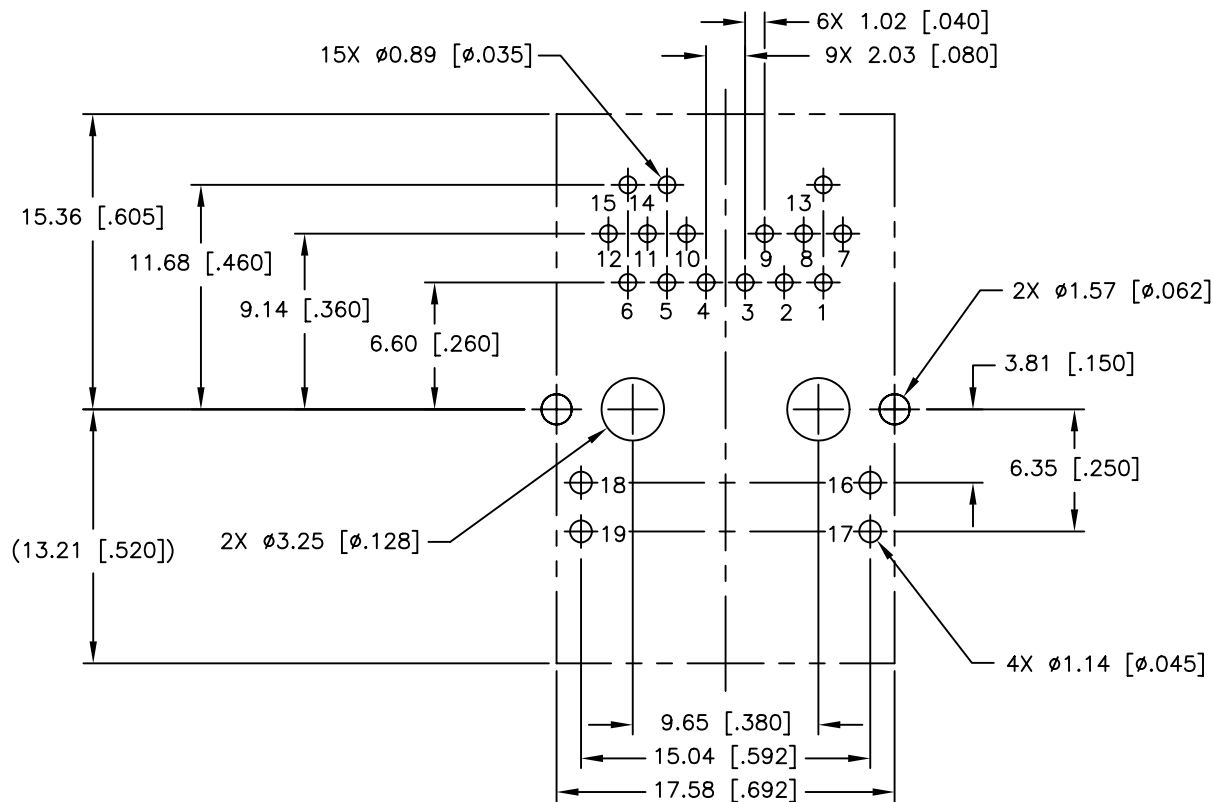
| PRODUCT DESCRIPTION              | TLA DRAWING   | PS DRAWING    | SHEET  | PART NO.   | DATASHEET REV. |
|----------------------------------|---------------|---------------|--------|------------|----------------|
| CONN,RJ45,1X1,10G,5C,MRVL,1:1,TD | JT4-1128HL-P2 | PS-2615.020-B | 2 OF 5 | JT4-1128HL | A              |



DIMENSIONS ARE IN MILLIMETERS [INCHES] WITH THE FOLLOWING TOLERANCES: [INCHES] ARE FOR REFERENCE ONLY.  
X.XX [.XXX] = ±0.25 [±.010]

© Copyright, 2014. Pulse Electronics Corp. All rights reserved. Pulse confidential & proprietary. (12/09/14)

| PRODUCT DESCRIPTION              | TLA DRAWING   | PS DRAWING    | SHEET  | PART NO.   | DATASHEET REV. |
|----------------------------------|---------------|---------------|--------|------------|----------------|
| CONN,RJ45,1X1,10G,5C,MRVL,1:1,TD | JT4-1128HL-P2 | PS-2615.020-B | 3 OF 5 | JT4-1128HL | A              |

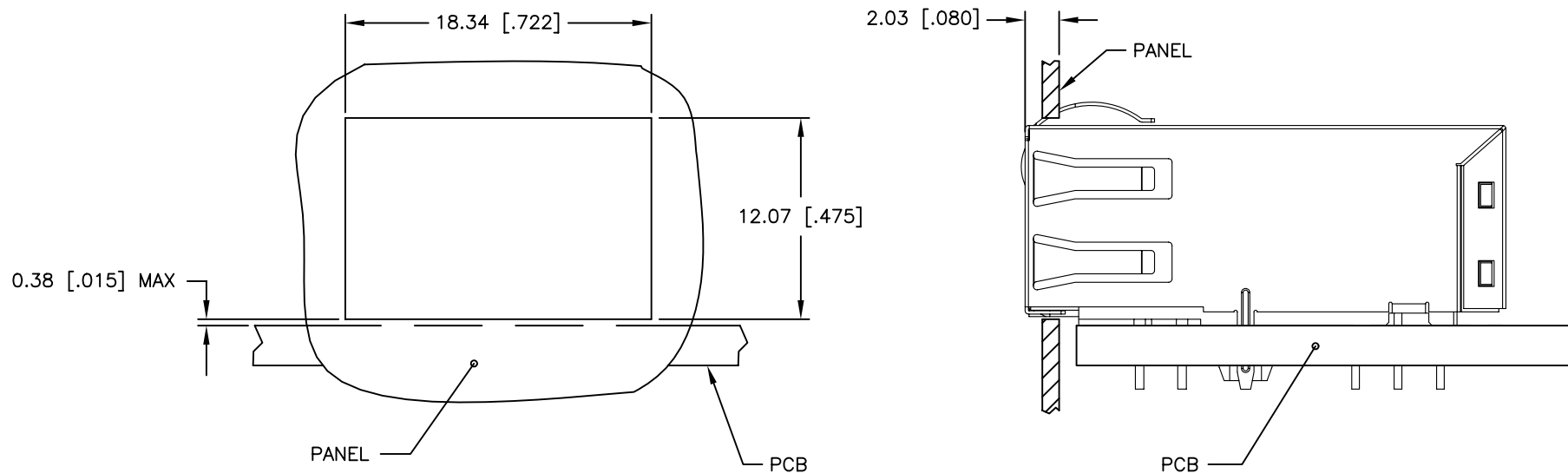


SUGGESTED FOOTPRINT (COMPONENT SIDE SHOWN)

DIMENSIONS ARE IN MILLIMETERS [INCHES] WITH THE FOLLOWING TOLERANCES: [INCHES] ARE FOR REFERENCE ONLY.  
X.XX [.XXX] =  $\pm 0.08$  [ $\pm 0.003$ ]

© Copyright, 2014. Pulse Electronics Corp. All rights reserved. Pulse confidential & proprietary. (12/09/14)

| PRODUCT DESCRIPTION              | TLA DRAWING   | PS DRAWING    | SHEET  | PART NO.   | DATASHEET REV. |
|----------------------------------|---------------|---------------|--------|------------|----------------|
| CONN,RJ45,1X1,10G,5C,MRVL,1:1,TD | JT4-1128HL-P2 | PS-2615.020-B | 4 OF 5 | JT4-1128HL | A              |



SUGGESTED PANEL CUTOUT

DIMENSIONS ARE IN MILLIMETERS [INCHES] WITH THE FOLLOWING TOLERANCES: [INCHES] ARE FOR REFERENCE ONLY.  
X.XX [.XXX] =  $\pm 0.10$  [ $\pm 0.004$ ]

© Copyright, 2014. Pulse Electronics Corp. All rights reserved. Pulse confidential & proprietary. (12/09/14)

| PRODUCT DESCRIPTION              | TLA DRAWING   | PS DRAWING    | SHEET  | PART NO.   | DATASHEET REV. |
|----------------------------------|---------------|---------------|--------|------------|----------------|
| CONN,RJ45,1X1,10G,5C,MRVL,1:1,TD | JT4-1128HL-P2 | PS-2615.020-B | 5 OF 5 | JT4-1128HL | A              |

## X-ON Electronics

Largest Supplier of Electrical and Electronic Components

*Click to view similar products for [Modular Connectors](#) / [Ethernet Connectors](#) category:*

*Click to view products by [Pulse](#) manufacturer:*

Other Similar products are found below :

[8949-H88/06BLKA/SN](#) [74441-0010/BKN](#) [MP1010RX-1000](#) [MP44RX-1000](#) [PHP-6P6C-5](#) [GAX-3-66](#) [GAX-8-62](#) [GDCX-PA-66-50](#) [GDCX-PN-64](#) [GDCX-PN-66](#) [GDCX-PN-66-50](#) [GDLX-A-66](#) [GDLX-N-66](#) [GDLX-S-66](#) [GDLX-S-88K](#) [GDTX-S-88-50](#) [GDX-PA-1010](#) [GLX-N-1010M-BLK](#) [GLX-S-88M-BLK](#) [GMX-N-1010](#) [GMX-S-1010](#) [GMX-S-66](#) [GMX-SMT4-N-88](#) [GPX-2-64](#) [GSGX-N-2-88](#) [GSGX-N-4-88](#) [GSX-NS2-88-3.05](#) [GSX-NS2-88-3.05-50](#) [GSX-NS-88-3.05-50](#) [PT-108A-8C-UL](#) [PT-J951-8C](#) [PTS-J531-8CS-50UL](#) [1-1775629-2](#) [A-2014-0-4](#) [GWLX-S-88-GR](#) [GWLX-S9-88-YG](#) [DC-1021-8-WH-6](#) [1300530003](#) [1324640-4](#) [RJ11FTVC2G](#) [RJ11FTVC2N](#) [RJFTVX2SA1G](#) [132764-001](#) [1413235](#) [MP88X-1000](#) [MPS88RX-5000](#) [E5288-S000K3-L](#) [E5908-15A242-L](#) [155302-001](#) [AX100653](#)