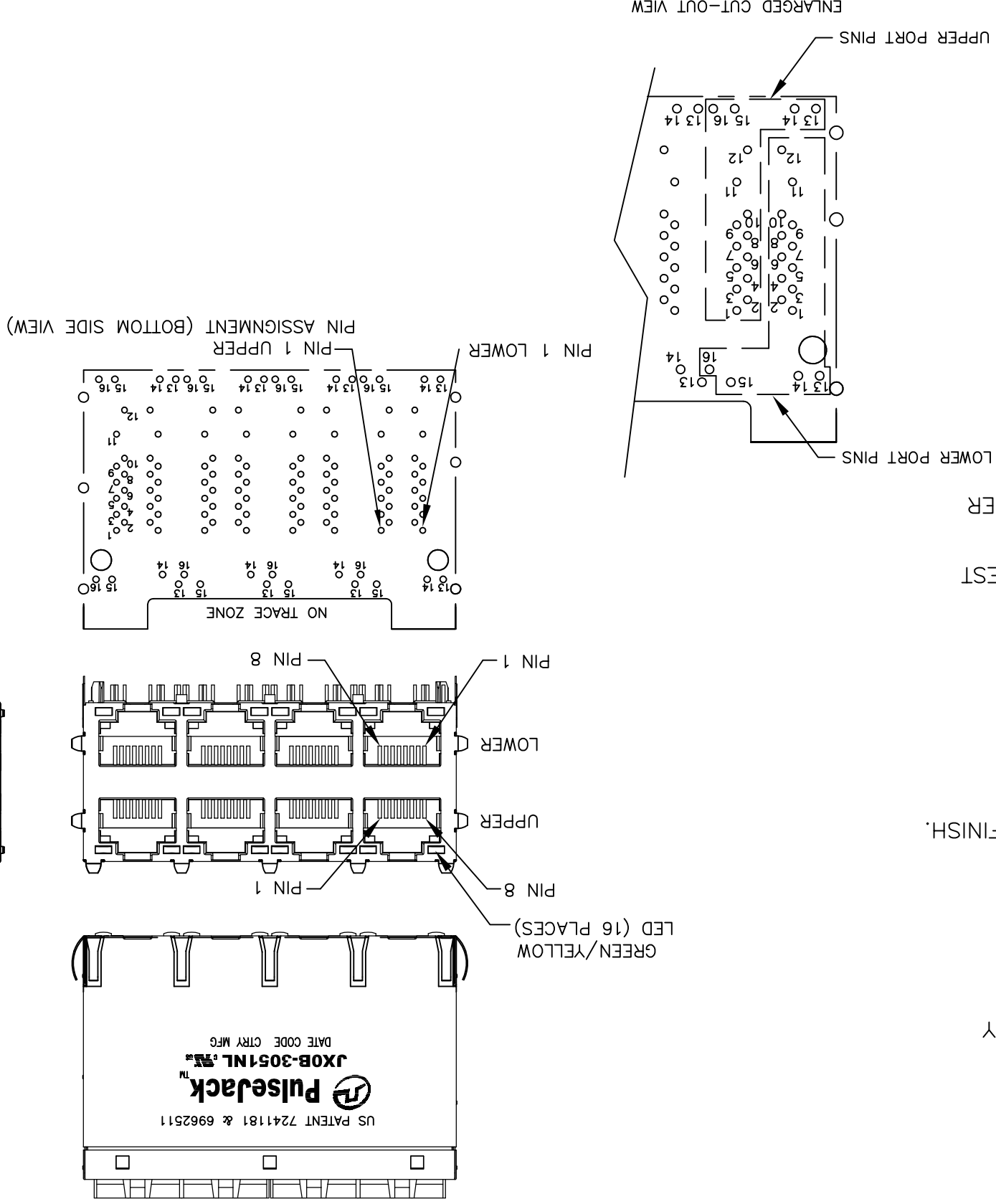


NOTES:

1. ROHS COMPLIANT
2. PLASTIC HOUSING: THERMOPLASTIC MATERIAL WITH FLAMMABILITY RATING UL 94V-0 OR BETTER.
3. CONTACTS PLATING: 50 INCHES GOLD PLATING.
4. CONTACTS BASE MATERIAL: PHOSPHOR BRONZE
5. UNDER PLATING: 50 INCHES NICKEL
6. SOLDER TAIL PLATING : 200-500 INCHES 100% TIN, MATTE FINISH.
7. METAL SHIELD: NICKEL PLATING ON COPPER ALLOY.
8. JACK CAVITY CONFORMS TO FCC PART 68 SUBPART.
9. PCB PLATING: HASL (TOP PCB), ENIG (BOTTOM PCB).
10. STORAGE TEMPERATURE: -50°C TO +125°C
11. COMPLIANCE TO J-STD:
 - A. J-STD-002: SOLDERABILITY AT 245°C DIP AND LOOK TEST
 - B. J-STD-020: LEVEL 1, NO MOISTURE SENSITIVE
 - C. J-STD-075: W2, 270°C MAXIMUM THROUGH WAVE SOLDER



© Copyright, 2016. Pulse Electronics Corp. All rights reserved. Pulse confidential & proprietary. (11/30/16)

PRODUCT DESCRIPTION	TLA DRAWING	PS DRAWING	SHEET	PART NO.	DATASHEET REV.
CONN,RJ45,2X4,1GFP,1:1,TY	JXOB-3051NL-13	PS-2317.282-A	1 OF 4	JXOB-3051NL	D

ELECTRICAL CHARACTERISTICS AT +25°C UNLESS OTHER SPECIFIED
MEETS IEEE 802.3 SPECIFICATION

PARAMETER		SPECIFICATIONS	
OPERATING TEMP	-40°C TO +85°C	1 : 1 ±2%	
TURNS RATIO		PER SCHEMATIC	
INSERTION LOSS	100 KHZ	1-100 MHZ	125 MHZ
		-1.2 DB MAX	-0.2-0.002f ^{-1.4} DB MAX
RETURN LOSS	.1-40 MHZ	40-100 MHZ	
		-16 DB MIN	-10+20*LOG ₁₀ (f/80 MHZ) DB MIN
INDUCTANCE (OCL)	MX1	350 uH MIN (MEASURED AT 100 KHZ, 100 mVRMS) (AND WITH 8 mA DC BIAS)	
	MX2	120 uH MIN (MEASURED AT 100 KHZ, 100 mVRMS) (AND WITH 18.3 mA DC BIAS)	
CROSSTALK, ADJACENT CHANNELS	1 MHZ	10-100 MHZ	
		-50 DB MIN	-52+22*LOG ₁₀ (f/10) DB MIN
COMMON MODE REJECTION RATIO	2 MHZ	30-200 MHZ	
		-50 DB MIN	-15+20*LOG ₁₀ (f/200) DB MIN
DC RESISTANCE, 1/2 WINDING	.65 OHMS MAX		
DC RESISTANCE IMBALANCE	±.065 OHMS MAX (CENTER TAP SYMMETRY)		
DC CURRENT/VOLTAGE RATING - PSE PINS	600 mA MAX, @ 57 V (CONTINUOUS)		
INPUT - OUTPUT ISOLATION	2250 VDC MINIMUM FOR 60 SECONDS		

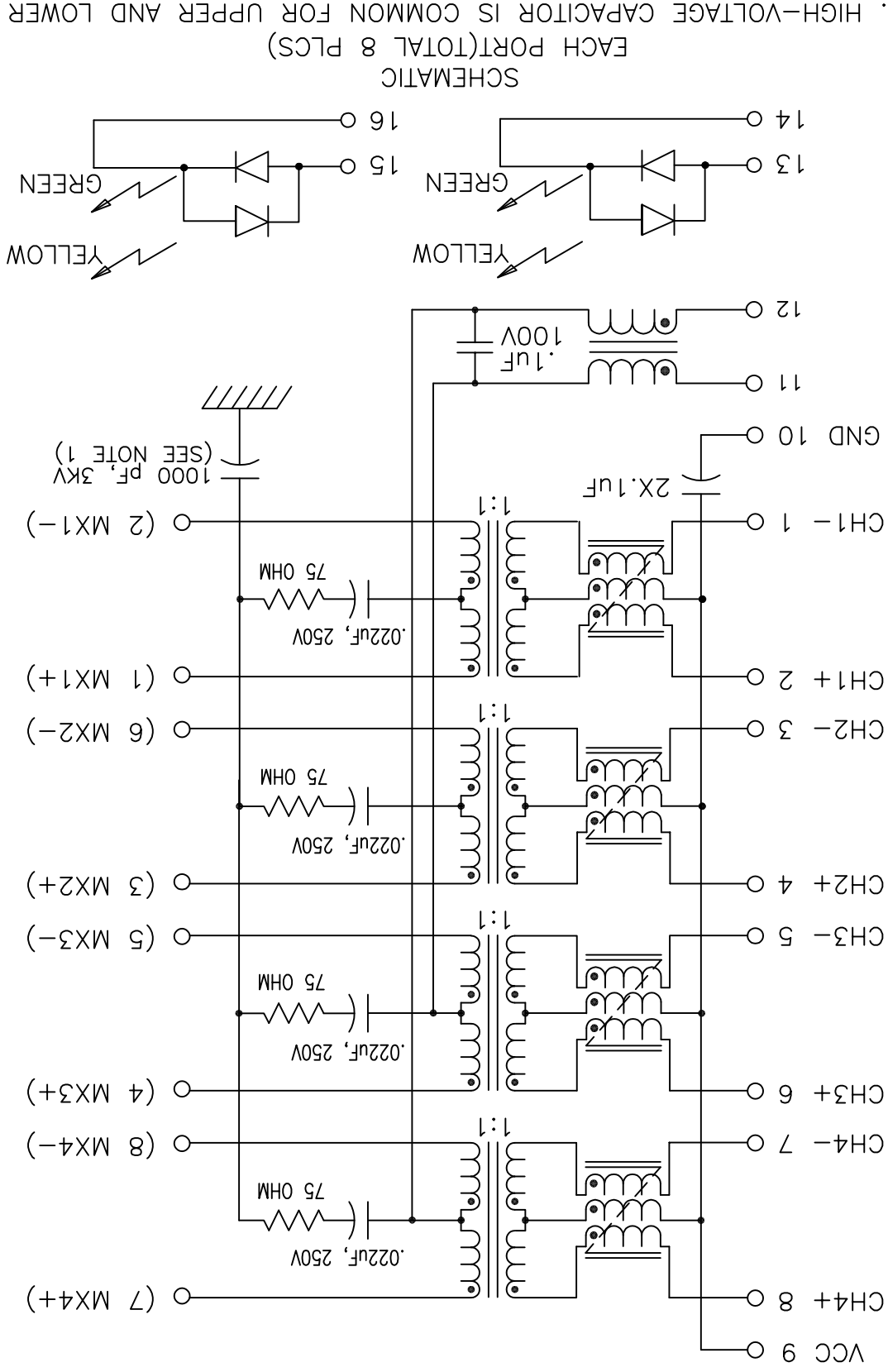
NOTE: f IS FREQUENCY IN MHZ.

EMMITTED COLOR	WAVELENGTH (nm)	BRIGHTNESS (mcd)	VIEWING ANGLE	POWER DISSIPATION (Pd)	FORWARD VOLTAGE (Vf)	REVERSE VOLTAGE (Vr)
GREEN	570 nm	8 TYP. AT 20 mA	100°	80 mW MAX	2.0 TO 2.6 V (UPPER PORT)	5.0 V MAX
YELLOW	587 nm	6.5 TYP. AT 20 mA	100°	80 mW MAX	2.1 TO 2.6 V (UPPER PORT)	2.2 TO 2.8 V (LOWER PORT)
					2.0 TO 2.6 V (UPPER PORT)	2.15 TO 2.8 V (LOWER PORT)

NOTE: PER VENDOR'S SPECIFICATIONS

© Copyright, 2016, Pulse Electronics Corp. All rights reserved. Pulse confidential & proprietary. (11/30/16)

PRODUCT DESCRIPTION	TLA DRAWING	PS DRAWING	SHEET	PART NO.	DATE SHEET REV.
CONN,RJ45,2X4,1GFP,1:1,T	JXOB-3051NL-13	PS-2317.282-A	2 OF 4	JXOB-3051NL	D



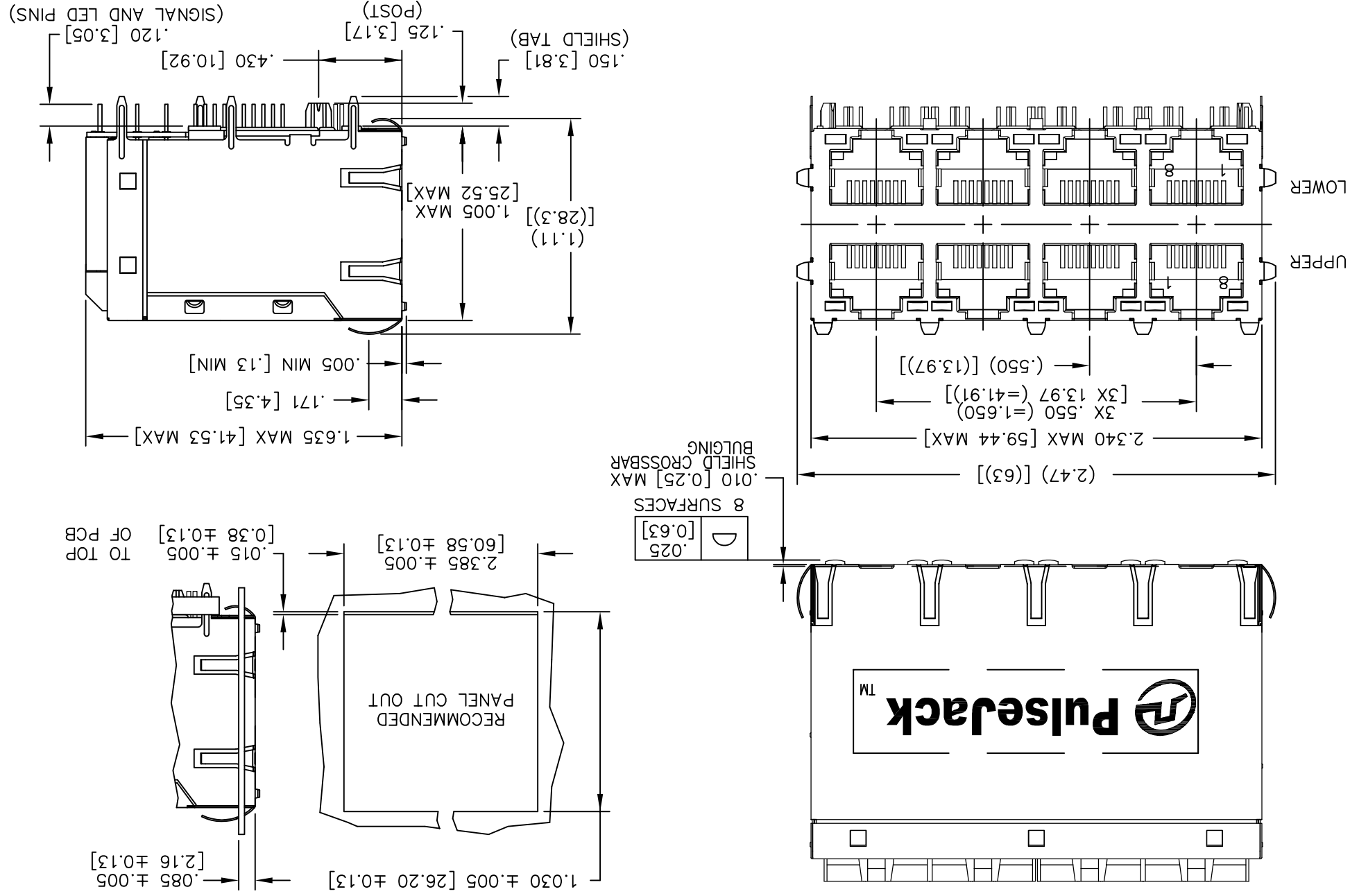
SCHMATIC EACH PORT(TOTAL 8 PLCS)

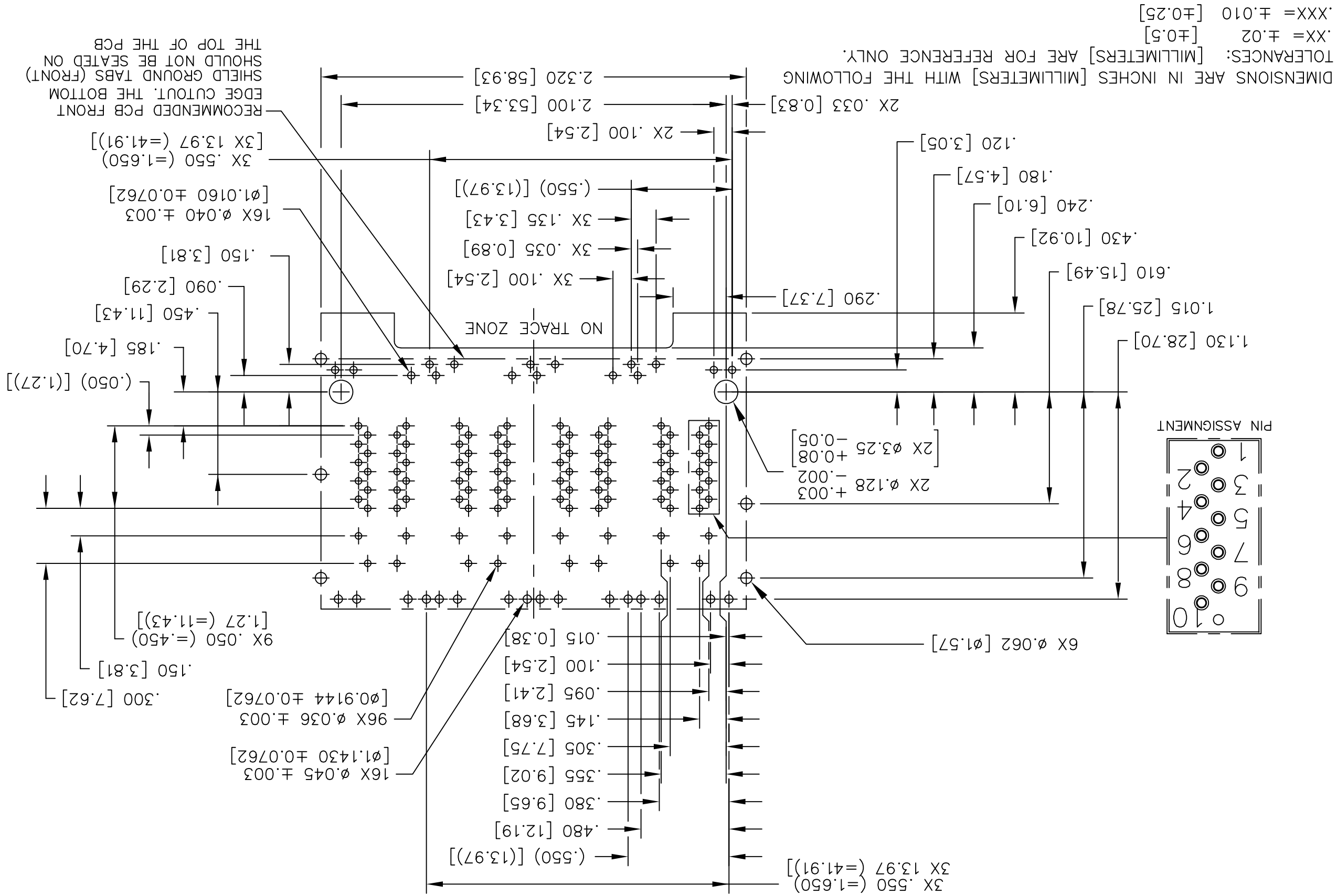
NOTE 1. HIGH-VOLTAGE CAPACITOR IS COMMON FOR UPPER AND LOWER PORTS.

PRODUCT DESCRIPTION	TLA DRAWING	PS DRAWING	SHEET	PART NO.	DATASHEET REV.
CONN,RJ45,2X4,1GFP,1:1,TY	JXOB-3051NL-13	PS-2317.282-A	3 OF 4	JXOB-3051NL	D

DIMENSIONS ARE IN INCHES [MILLIMETERS] WITH THE FOLLOWING TOLERANCES: [MILLIMETERS] ARE FOR REFERENCE ONLY.
 .XX = ±.02 [±0.5]
 .XXX = ±.010 [±0.25]

© Copyright, 2016, Pulse Electronics Corp. All rights reserved. Pulse confidential & proprietary. (11/30/16)





© Copyright, 2016, Pulse Electronics Corp. All rights reserved. Pulse confidential & proprietary. (11/30/16)

PRODUCT DESCRIPTION	TLA DRAWING	PS DRAWING	SHEET	PART NO.	DATE SHEET REV.
CONN,RJ45,2X4,1GFP,1:1,TY	JXOB-3051NL-13	PS-2317.282-A	4 OF 4	JXOB-3051NL	D

X-ON Electronics

Largest Supplier of Electrical and Electronic Components

Click to view similar products for [Modular Connectors](#) / [Ethernet Connectors](#) category:

Click to view products by [Pulse manufacturer](#):

Other Similar products are found below :

[RJE231881317T](#) [MP1010RX-1000](#) [MP44RX-1000](#) [GAX-3-66](#) [GAX-8-62](#) [93606-0253](#) [GD-A-44](#) [GDCX-PA-66-50](#) [GDCX-PN-64](#) [GDCX-PN-66](#) [GDCX-PN-66-50](#) [GDLX-A-66](#) [GDLX-A-88](#) [GDLX-N-66](#) [GDLX-S-88K](#) [GDTX-S-88-50](#) [GDX-PA-1010](#) [GLX-N-1010M-BLK](#) [GLX-N-44M](#) [GLX-S-88M-BLK](#) [GMX-N-1010](#) [GMX-S-1010](#) [GMX-S-66](#) [GMX-SMT2-N-1010](#) [GMX-SMT2-N-64-50](#) [GMX-SMT2-S6-88](#) [GMX-SMT4-N-88](#) [GPX-2-64](#) [GRT1-BT1-5](#) [GSGX-N-2-88](#) [GSX-NS2-88-3.05](#) [GSX-NS2-88-3.05-50](#) [GSX-NS-88-3.05-30](#) [GSX-NS-88-3.05-50](#) [GSX-NS-88-3.68](#) [1-1775629-2](#) [GWLX-S-88-GR](#) [GWLX-S9-88-YG](#) [1300500326](#) [1300500227](#) [1300530003](#) [1300570002](#) [1324640-4](#) [RJ11FTVC2G](#) [RJ11FTVC2N](#) [RJFTVX2SA1G](#) [132764-001](#) [1400000](#) [1413176](#) [1413235](#)