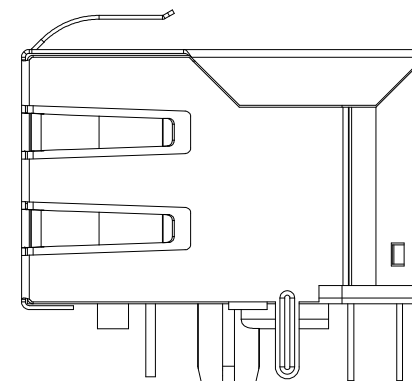
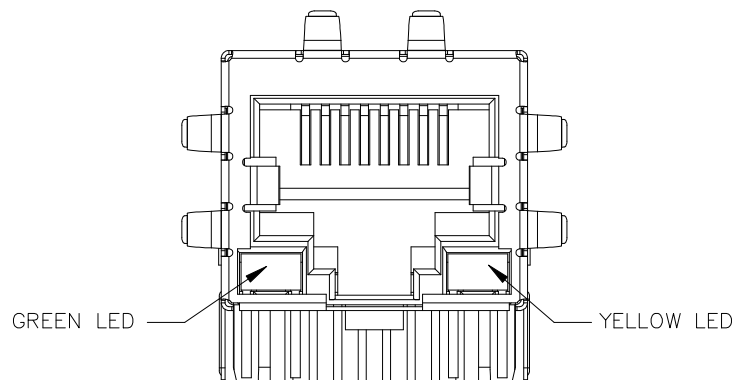
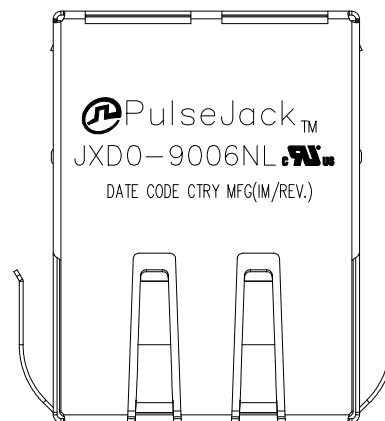


NOTES:

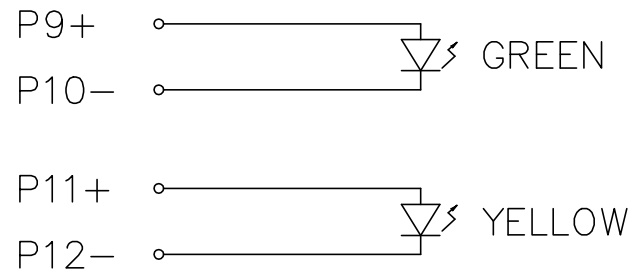
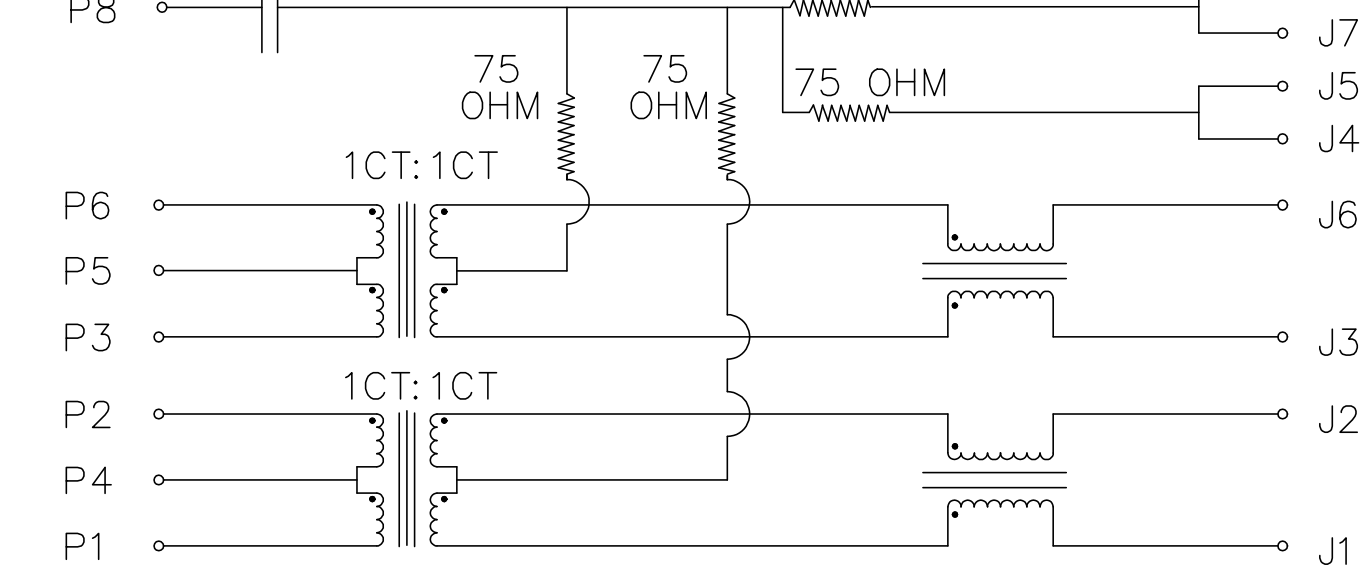
1. CONNECTOR MATERIAL:
HOUSING: LCP UL94 V-0
SHIELD: Brass
SHIELD PLATING: NICKEL
CONTACT: COOPER ALLOY
CONTACT PLATING: SELECTIVE GOLD, 30 MICRO-INCHS MIN
IN CONTACT AREA
2. PIN NOT ELECTRICALLY CONNECTED MAYBE OMITTED SEE
ELECTRICAL DRAWING FOR OMITTED PINS
3. RJ45 CAVITIES CONFORM TO FCC RULES AND REGULATION
PART 68.
4. THE PART IS RECOMMENDED FOR REFLOW SOLDERING
PROCESS PEAK SOLDERING TEMPERATURE IS
245°C MAX, 10 SECS MAX
5. OPERATING TEMPERATURE T=-40°C TO +85°C.
6. STORAGE TEMPERATURE T=-40°C TO +85°C.



FINAL OUTLINE

© Copyright, 2018. Pulse Electronics Corp. All rights reserved. Pulse confidential & proprietary. (08/16/18)

PRODUCT DESCRIPTION	TLA DRAWING	PS DRAWING	SHEET	PART NO.	DATASHEET REV.
CONN,RJ45,1X1,100D,1:1,1,TY	JXD0-9006NL-X1	-	1 OF 6	JXD0-9006NL	B



SCHEMATIC

- 1.0 Turn Ratio @100KHz:
- 2.0 Primary Inductance: 3
- 3.0 DC Resistance:(J1~J2)
- 4.0 Insertion Loss: 1-1
- 5.0 Return Loss: 1-30-60
- 6.0 CROSS TALK: 1-
- 7.0 COMMON TO COMMON
- 8.0 Isolation: PHY Side to

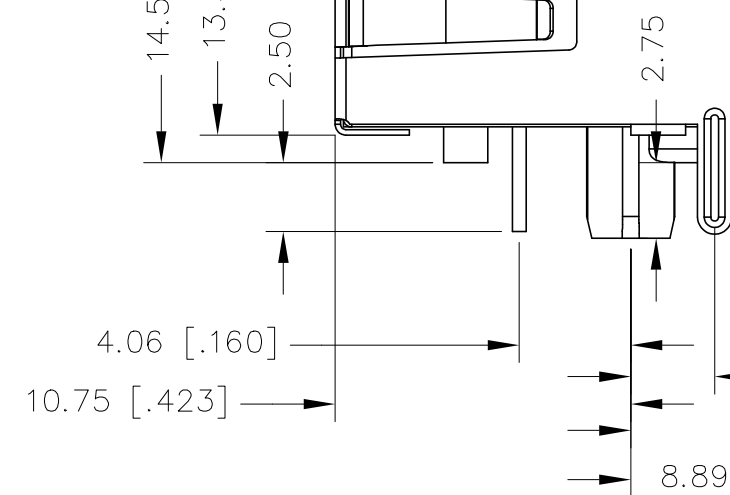
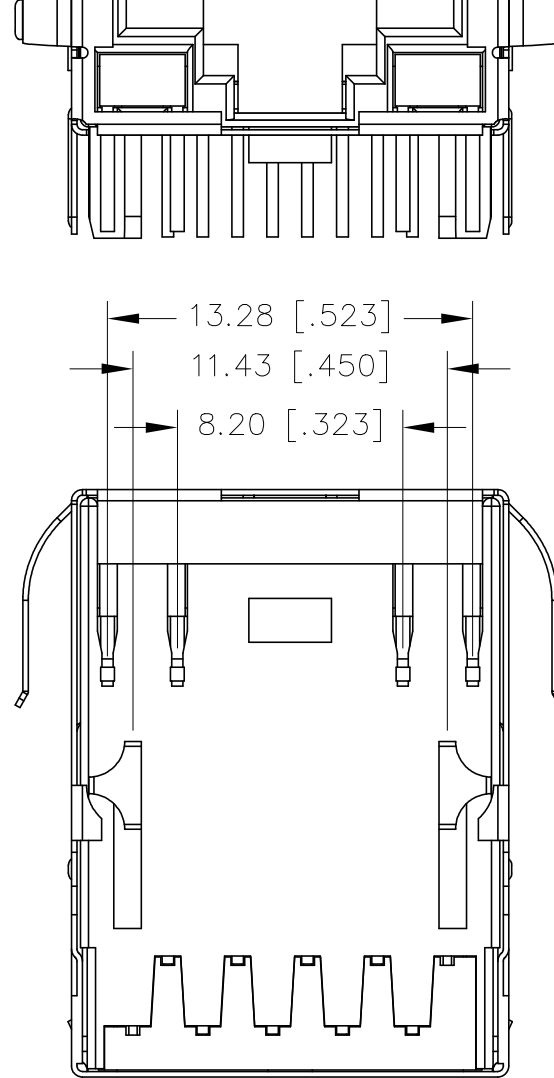
LED SPECIFICATION

STANDARD LED	WAVELE
GREEN	565nm
YELLOW	590nm

*WITH A FORWARD CURREN

© Copyright, 2018. Pulse Electronics Corp. All rights reserved. Pulse confidential & proprietary. (08/16/18)

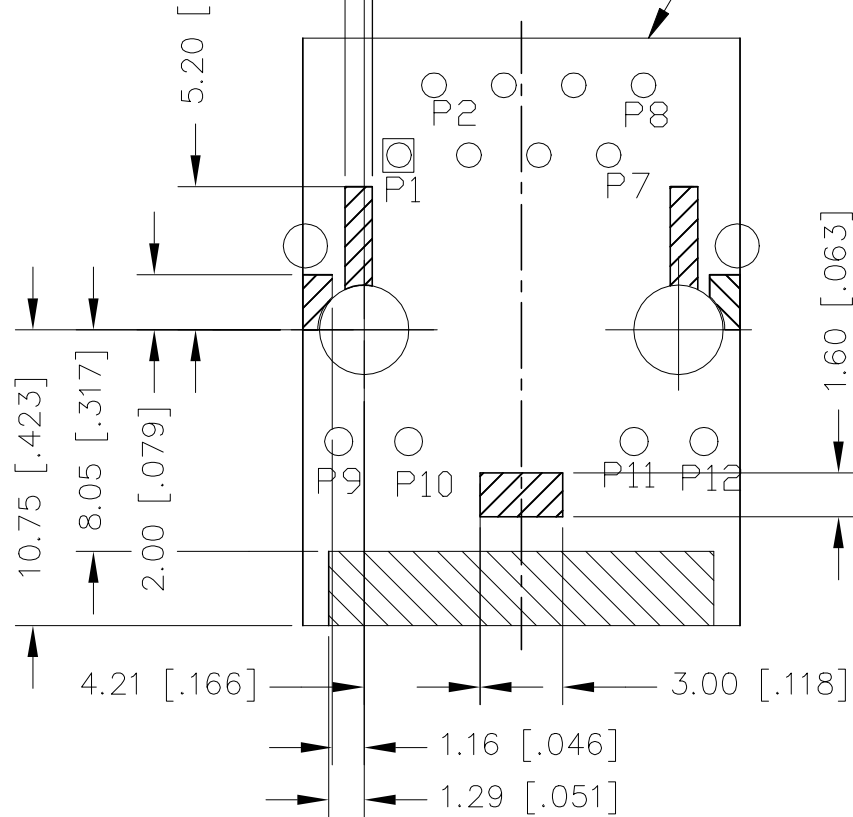
PRODUCT DESCRIPTION	TLA DRAWING	PS DRAWING	SHEET
CONN,RJ45,1X1,100D,1:1,TY	JXD0-9006NL-X1	-	2 OF 6



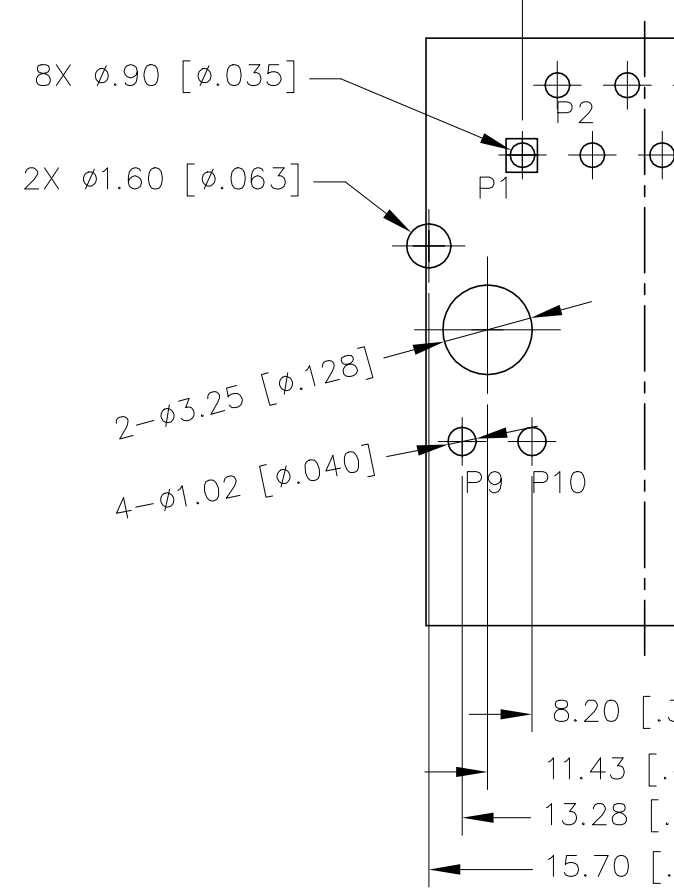
DIMENSIONS ARE IN MILLIMETERS [INCHES] WITH THE FOLLOWING TOLERANCES: [INCHES] ARE FOR REFERENCE ONLY.
 X.XX= ± 0.25 [± 0.010]

© Copyright, 2018. Pulse Electronics Corp. All rights reserved. Pulse confidential & proprietary. (08/16/18)

PRODUCT DESCRIPTION	TLA DRAWING	PS DRAWING	SHEET
CONN,RJ45,1X1,100D,1:1,TY	JXD0-9006NL-X1	-	3 OF 6



KEEP-OUT AREA (COMPONENT SIDE SHOWN)

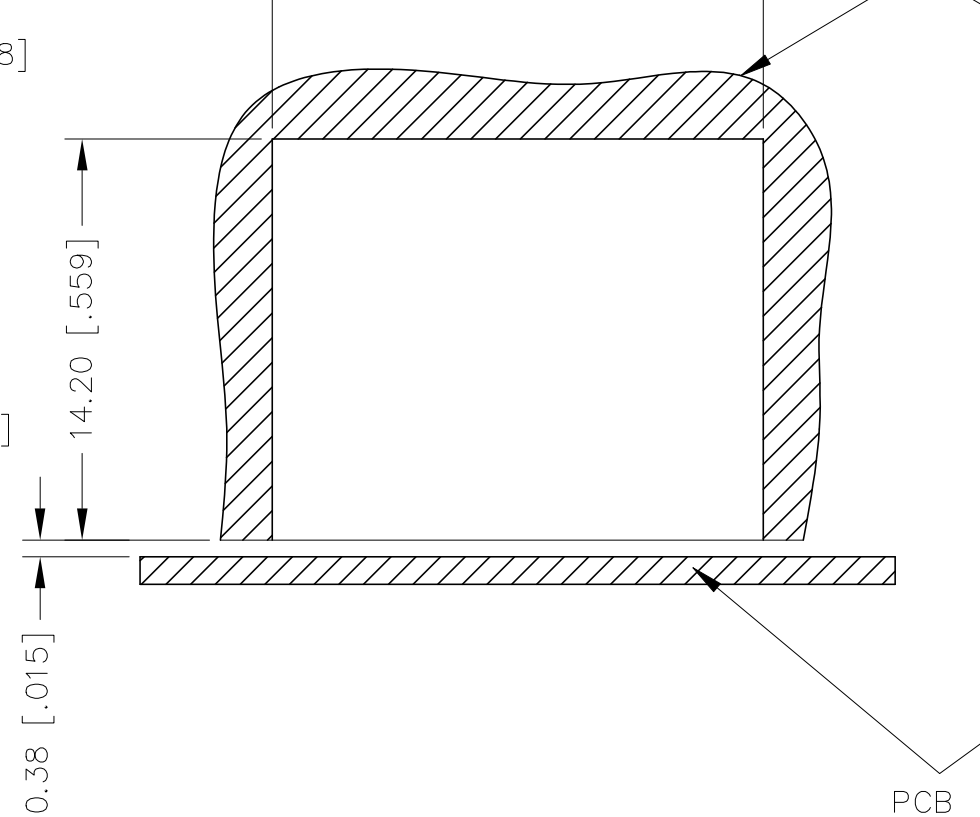
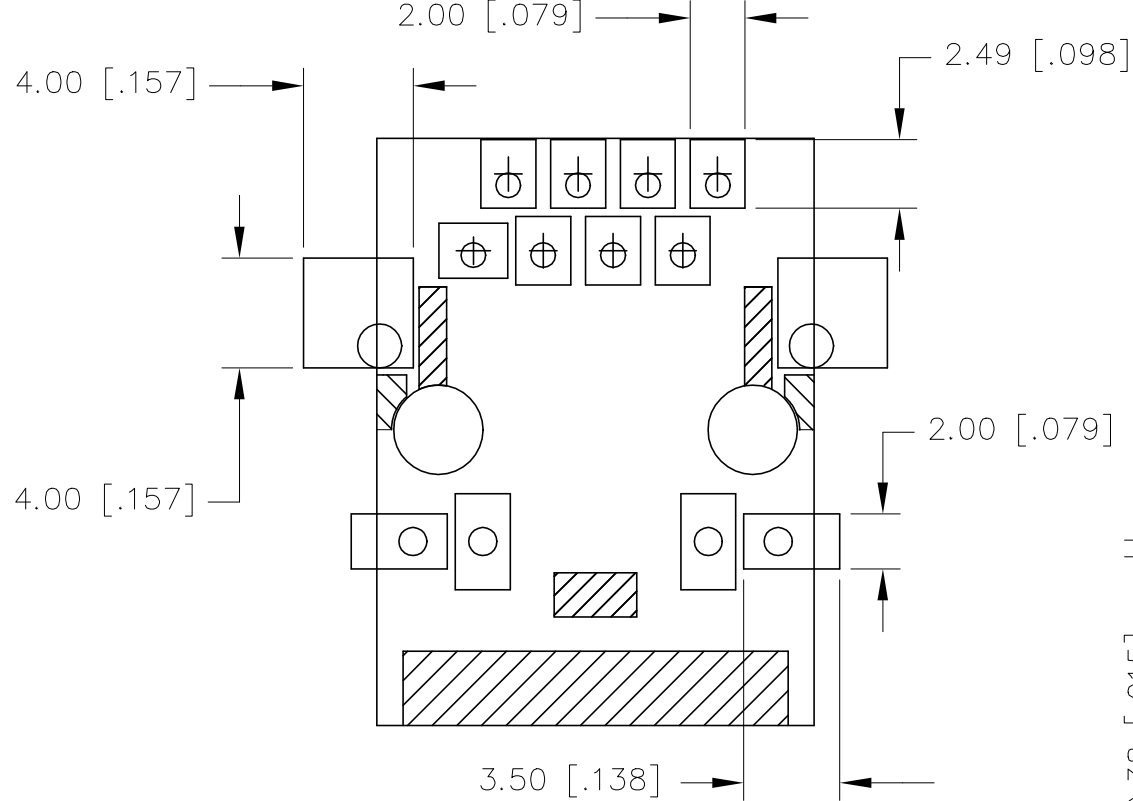


RECOMMENDED
(COMPONENT SIDE SHOWN)

DIMENSIONS ARE IN MILLIMETERS [INCHES] WITH THE FOLLOWING TOLERANCES: [INCHES] ARE FOR REFERENCE ONLY.
X.XX= ± 0.10 [± 0.004]

© Copyright, 2018. Pulse Electronics Corp. All rights reserved. Pulse confidential & proprietary. (08/16/18)

PRODUCT DESCRIPTION	TLA DRAWING	PS DRAWING	SHEET
CONN,RJ45,1X1,100D,1:1,TY	JXD0-9006NL-X1	-	4 OF 6



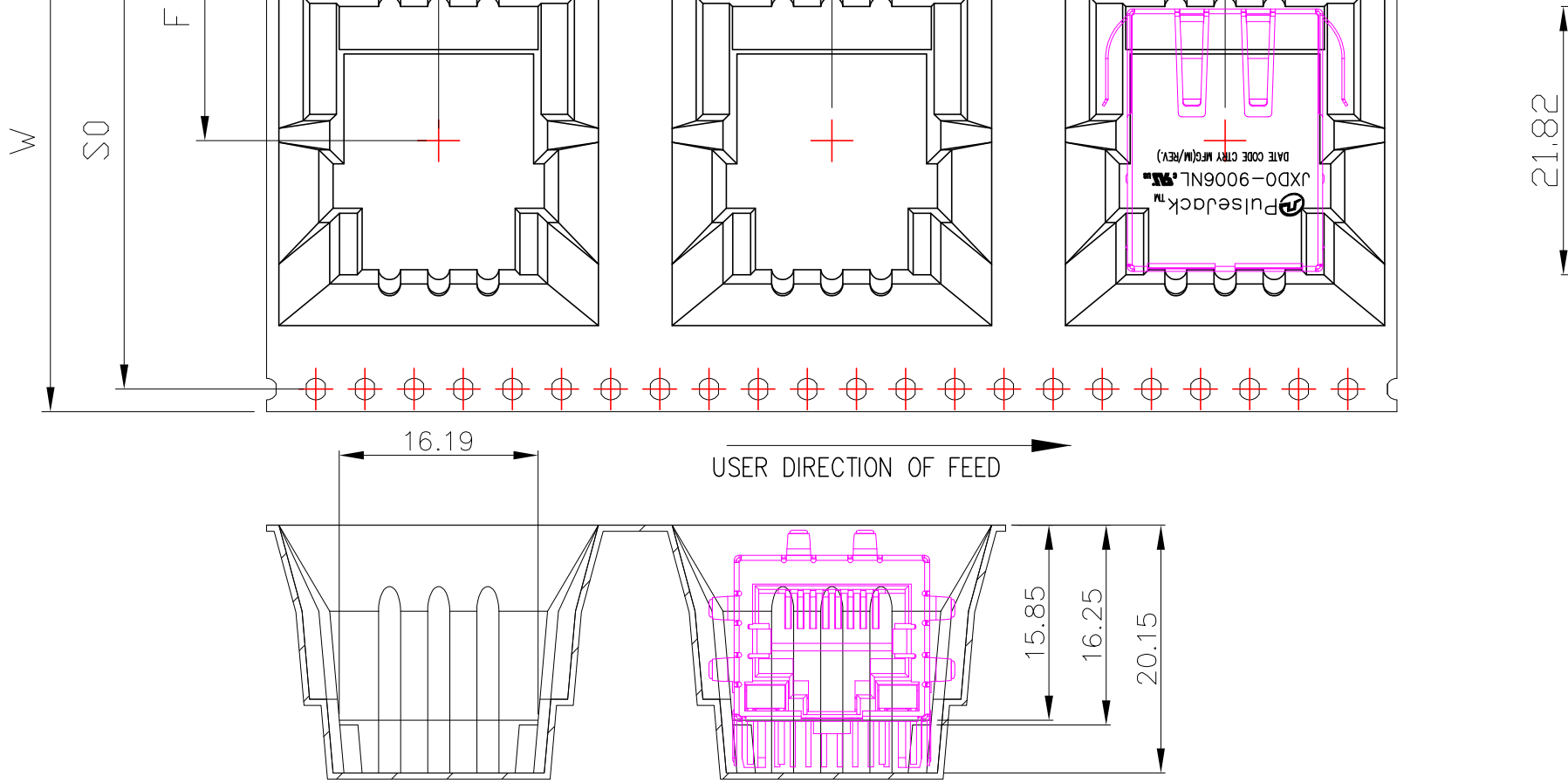
RECOMMENDED STENCIL DESIGN WITH THICKNESS 0.2MM
 RECOMMENDED PCB WITH THICKNESS 1.6MM
 (COMPONENT SIDE SHOWN)

SUGGESTED PANEL CUTOUT

DIMENSIONS ARE IN MILLIMETERS [INCHES] WITH THE FOLLOWING
 TOLERANCES: [INCHES] ARE FOR REFERENCE ONLY.
 X.XX= ± 0.10 [± 0.004]

© Copyright, 2018. Pulse Electronics Corp. All rights reserved. Pulse confidential & proprietary. (08/16/18)

PRODUCT DESCRIPTION	TLA DRAWING	PS DRAWING	SHEET
CONN,RJ45,1X1,100D,1:1,TY	JXD0-9006NL-X1	-	5 OF 6



W	44.00 ±0.30	P	32.00 ±0.10	A0	16.196±0.15	B0	21.82±0.15
S0	40.40 ±0.10	P0	4.00 ±0.10	A1		B1	
E	1.75 ±0.10	P2	2.00 ±0.15	A2		B2	
F	20.20 ±0.15	D0	1.50 ^{+0.10} / _{-0.00}	K0	20.15±0.20	K1	15.85±0.15
T	0.50 ±0.05	D1		SCALE:		UNIT:	mm

1. Material: Black Con
2. Packing length pe
3. Component load
4. All dimension me

DIMENSIONS ARE IN MILLIMETERS

© Copyright, 2018. Pulse Electronics Corp. All rights reserved. Pulse confidential & proprietary. (08/16/18)

PRODUCT DESCRIPTION	TLA DRAWING	PS DRAWING	SHEET
CONN,RJ45,1X1,100D,1:1,TY	JXD0-9006NL-X1	-	6 OF 6

X-ON Electronics

Largest Supplier of Electrical and Electronic Components

Click to view similar products for [Modular Connectors](#) / [Ethernet Connectors](#) category:

Click to view products by [Pulse manufacturer](#):

Other Similar products are found below :

[8949-H88/06BLKA/SN](#) [74441-0010/BKN](#) [MP1010RX-1000](#) [MP44RX-1000](#) [PHP-6P6C-5](#) [GAX-3-66](#) [GAX-8-62](#) [GDCX-PA-66-50](#) [GDCX-PN-64](#) [GDCX-PN-66](#) [GDCX-PN-66-50](#) [GDLX-A-66](#) [GDLX-N-66](#) [GDLX-S-66](#) [GDLX-S-88K](#) [GDTX-S-88-50](#) [GDX-PA-1010](#) [GLX-N-1010M-BLK](#) [GLX-S-88M-BLK](#) [GMX-N-1010](#) [GMX-S-1010](#) [GMX-S-66](#) [GMX-SMT4-N-88](#) [GPX-2-64](#) [GSGX-N-2-88](#) [GSGX-N-4-88](#) [GSX-NS2-88-3.05](#) [GSX-NS2-88-3.05-50](#) [GSX-NS-88-3.05-50](#) [PT-108A-8C-UL](#) [PT-J951-8C](#) [PTS-J531-8CS-50UL](#) [1-1775629-2](#) [A-2014-0-4](#) [GWLX-S-88-GR](#) [GWLX-S9-88-YG](#) [DC-1021-8-WH-6](#) [1300530003](#) [1324640-4](#) [RJ11FTVC2G](#) [RJ11FTVC2N](#) [RJFTVX2SA1G](#) [132764-001](#) [1413235](#) [MP88X-1000](#) [MPS88RX-5000](#) [E5288-S000K3-L](#) [E5908-15A242-L](#) [155302-001](#) [AX100653](#)