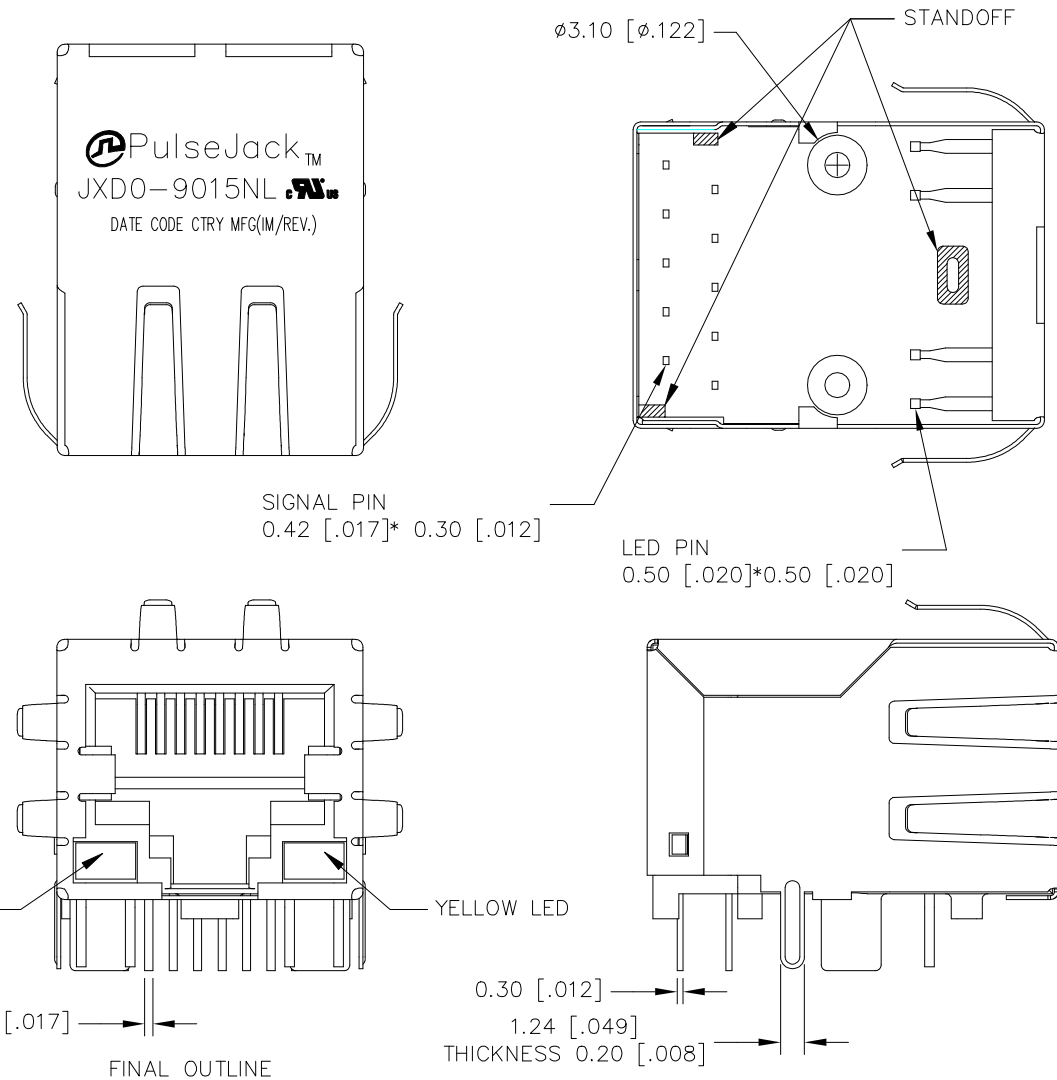


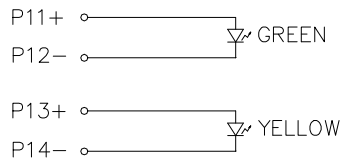
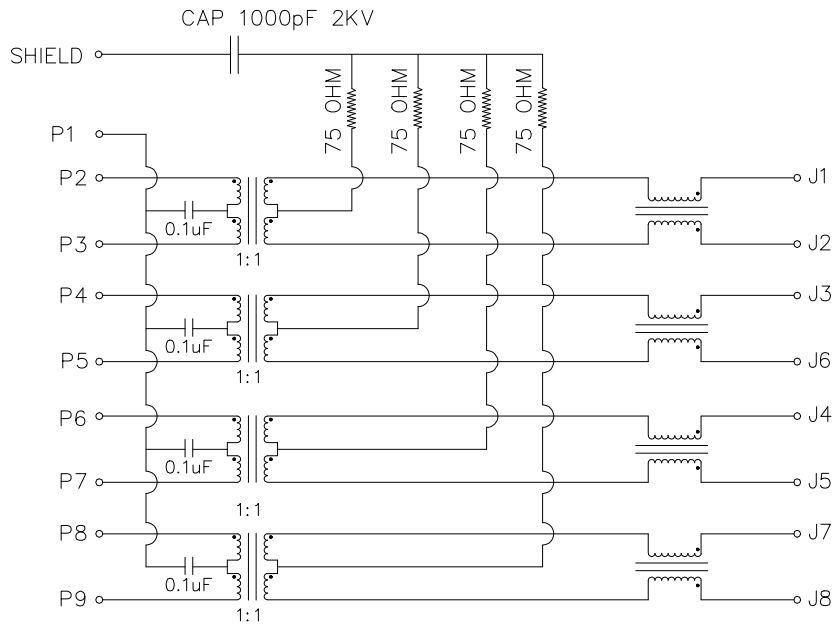
NOTES:

- CONNECTOR MATERIAL:  
HOUSING: LCP BLACK UL94 V-0  
SHIELD: BRASS  
SHIELD PLATING: NICKEL  
CONTACT: COOPER ALLOY  
CONTACT PLATING: SELECTIVE GOLD, 30 MICRO-INCHS MIN IN CONTACT AREA
- PIN NOT ELECTRICALLY CONNECTED MAYBE OMITTED SEE ELECTRICAL DRAWING FOR OMITTED PINS
- RJ45 CAVITIES CONFORM TO FCC RULES AND REGULATION PART 68.
- THE PART IS RECOMMENDED FOR IR REFLOW SOLDERING PROCESS PEAK SOLDERING TEMPERATURE IS 245°C MAX, 10 SECS MAX
- OPERATING TEMPERATURE T=-40°C TO +85°C.
- STORAGE TEMPERATURE T=-40°C TO +85°C.



© Copyright, 2018. Pulse Electronics Corp. All rights reserved. Pulse confidential & proprietary. (08/28/18)

| PRODUCT DESCRIPTION       | TLA DRAWING    | PS DRAWING | SHEET  | PART NO.    | DATASHEET REV. |
|---------------------------|----------------|------------|--------|-------------|----------------|
| CONN,RJ45,1X1,1GD,1:1,1TY | JXD0-9015NL-X1 | -          | 1 OF 6 | JXD0-9015NL | A              |



SCHEMATIC

ELECTRONICAL SPECIFICATIONS:

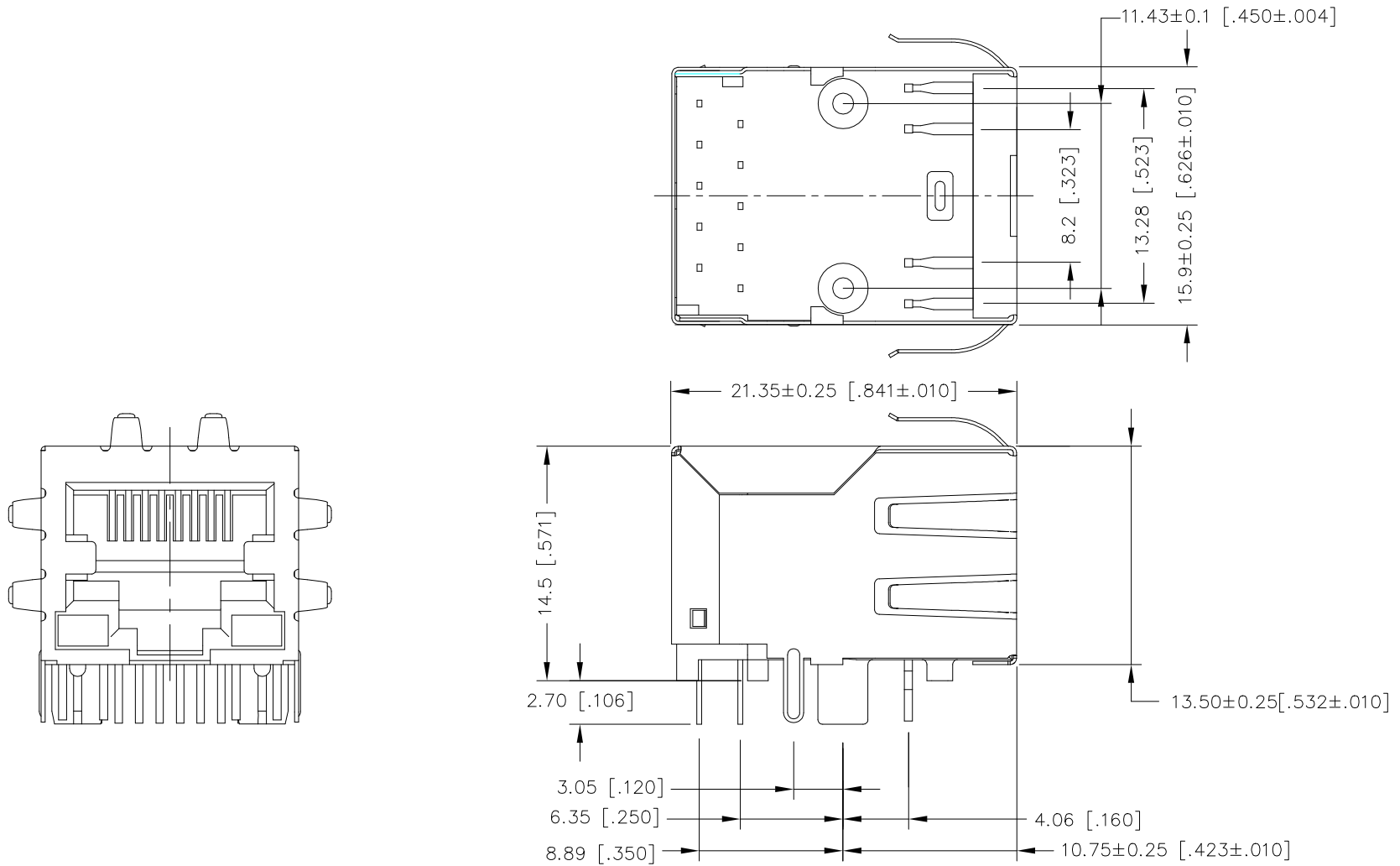
- TURN RATIO @100KHz: (P2~P3):(J1~J2) = 1:1±5%  
(P4~P5):(J3~J6) = 1:1±5%  
(P6~P7):(J4~J5) = 1:1±5%  
(P8~P9):(J7~J8) = 1:1±5%
- PRIMARY INDUCTANCE: 350uH MIN @100KHZ, 0.1V 8mA DC BIAS
- DC RESISTANCE: 1.2 OHMS MAX
- INSERTION LOSS: 1-100MHz -1.0dB MAX  
100-125MHz -1.2dB MAX
- RETURN LOSS: 1-40MHz -16dB MIN  
40-60MHz -12dB MIN  
60-80MHz -10dB MIN  
80-100MHz -8dB MIN
- CROSS TALK: 1-100MHz -30dB MIN
- COMMON TO COMMON MODE ATTENUATION: 1-100MHZ -30dB MIN
- ISOLATION: PHY SIDE TO LINE SIDE: 2250VDC

LED SPECIFICATIONS:

| STANDARDLED | WAVELENGTH | FORWARD V (MAX) | TYP  |
|-------------|------------|-----------------|------|
| GREEN       | 565nm      | 2.4V            | 2.2V |
| YELLOW      | 590nm      | 2.5V            | 2.1V |

\*WITH A FORWARD CURRENT OF 20mA

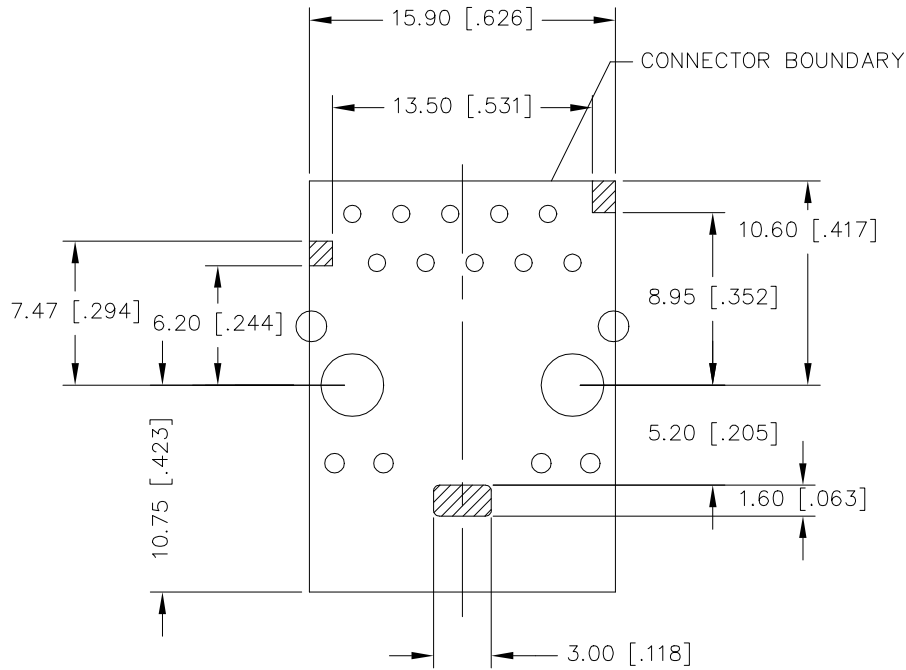
| PRODUCT DESCRIPTION      | TLA DRAWING    | PS DRAWING | SHEET  | PART NO.    | DATASHEET REV. |
|--------------------------|----------------|------------|--------|-------------|----------------|
| CONN,RJ45,1X1,1GD,1:1,TY | JXD0-9015NL-X1 | -          | 2 OF 6 | JXD0-9015NL | A              |



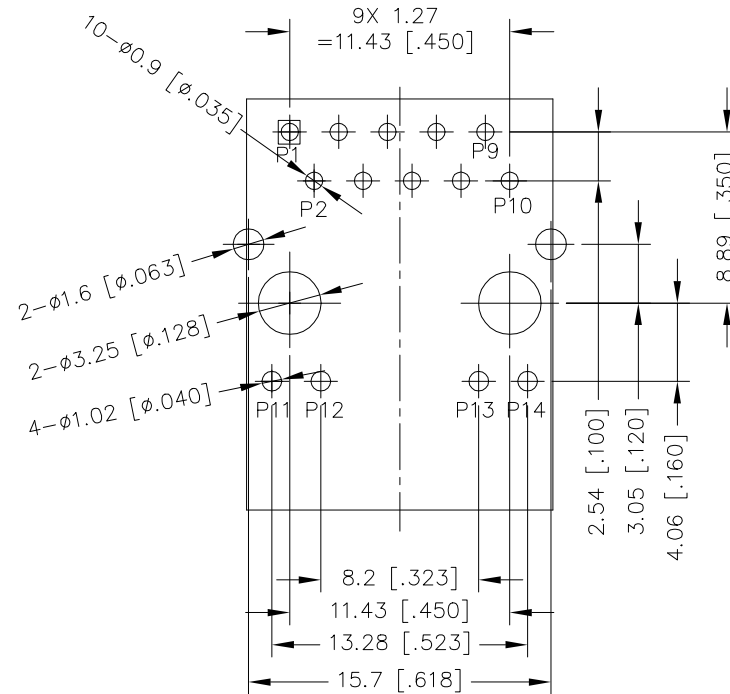
DIMENSIONS ARE IN MILLIMETERS [INCHES] WITH THE FOLLOWING TOLERANCES: [INCHES] ARE FOR REFERENCE ONLY.  
X.XX=  $\pm 0.25$  [ $\pm .010$ ]

© Copyright, 2018. Pulse Electronics Corp. All rights reserved. Pulse confidential & proprietary. (08/28/18)

| PRODUCT DESCRIPTION      | TLA DRAWING    | PS DRAWING | SHEET  | PART NO.    | DATASHEET REV. |
|--------------------------|----------------|------------|--------|-------------|----------------|
| CONN,RJ45,1X1,1GD,1:1,TY | JXD0-9015NL-X1 | -          | 3 OF 6 | JXD0-9015NL | A              |



STANDOFF AREA (COMPONENT SIDE SHOWN)

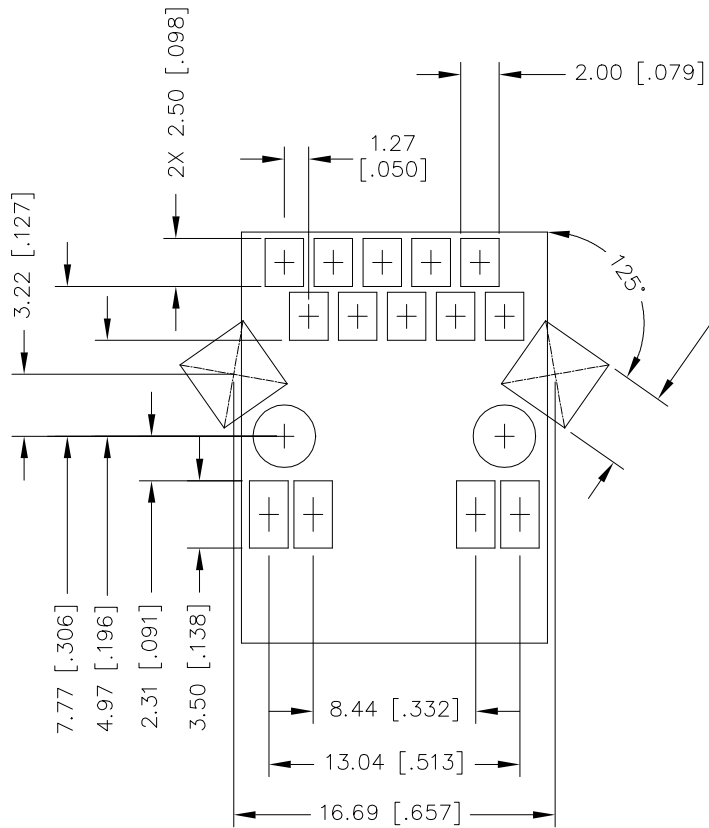


RECOMMENDED PCB LAYOUT  
(COMPONENT SIDE SHOWN)

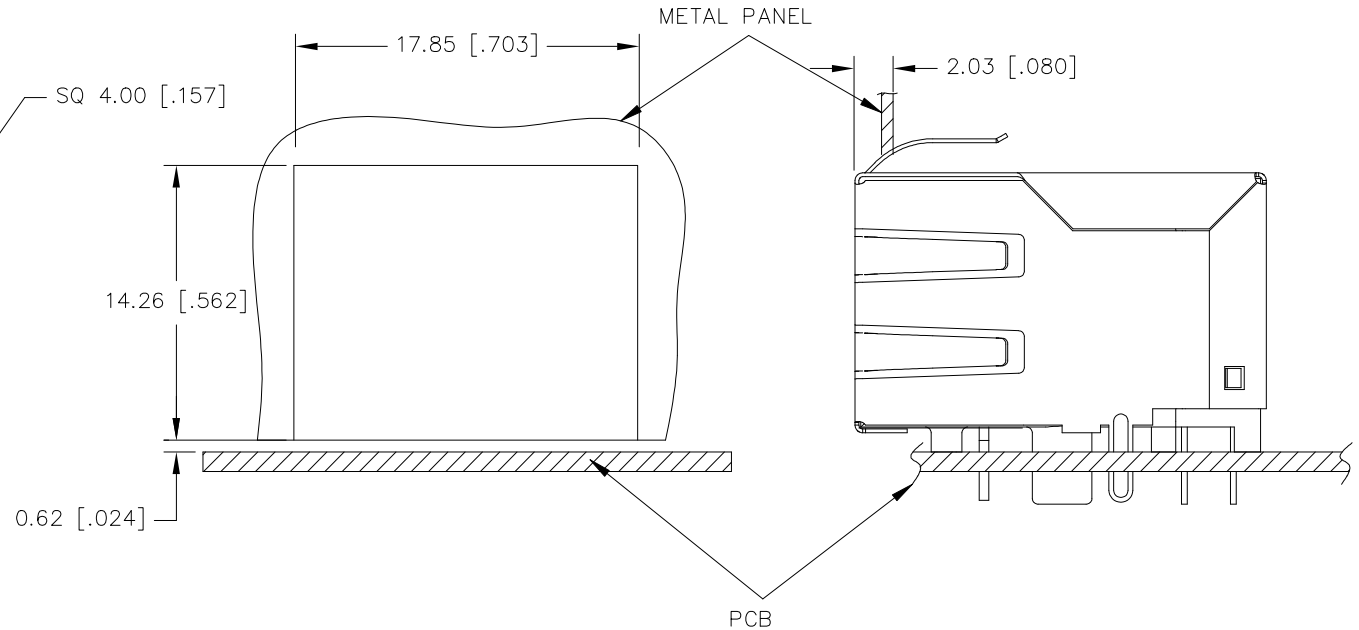
DIMENSIONS ARE IN MILLIMETERS [INCHES] WITH THE FOLLOWING TOLERANCES: [INCHES] ARE FOR REFERENCE ONLY.  
X.XX=  $\pm 0.10$  [ $\pm 0.004$ ]

© Copyright, 2018. Pulse Electronics Corp. All rights reserved. Pulse confidential & proprietary. (08/28/18)

| PRODUCT DESCRIPTION      | TLA DRAWING    | PS DRAWING | SHEET  | PART NO.    | DATASHEET REV. |
|--------------------------|----------------|------------|--------|-------------|----------------|
| CONN,RJ45,1X1,1GD,1:1,TY | JXD0-9015NL-X1 | -          | 4 OF 6 | JXD0-9015NL | A              |



RECOMMENDED STENCIL DESIGN WITH THICKNESS 0.20MM  
BASE ON 1.60MM THICKNESS PCB  
(COMPONENT SIDE SHOWN)

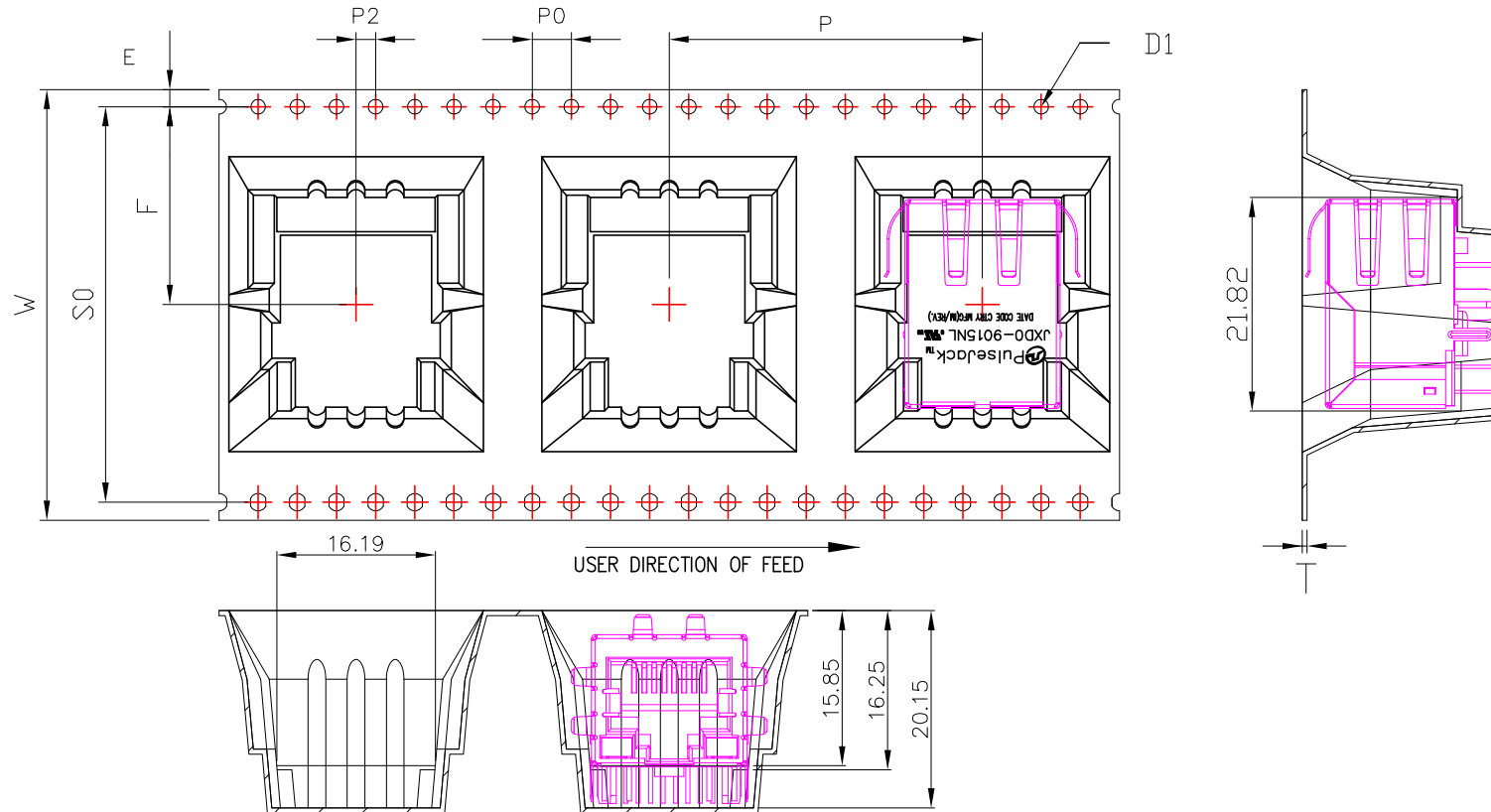


SUGGESTED PANEL CUTOUT

DIMENSIONS ARE IN MILLIMETERS [INCHES] WITH THE FOLLOWING TOLERANCES: [INCHES] ARE FOR REFERENCE ONLY.  
X.XX= ±0.10 [±.004]

© Copyright, 2018. Pulse Electronics Corp. All rights reserved. Pulse confidential & proprietary. (08/28/18)

| PRODUCT DESCRIPTION      | TLA DRAWING    | PS DRAWING | SHEET  | PART NO.    | DATASHEET REV. |
|--------------------------|----------------|------------|--------|-------------|----------------|
| CONN,RJ45,1X1,1GD,1:1,TY | JXD0-9015NL-X1 | -          | 5 OF 6 | JXD0-9015NL | A              |



|    |            |    |                                          |        |            |    |            |
|----|------------|----|------------------------------------------|--------|------------|----|------------|
| W  | 44.00±0.30 | P  | 32.00±0.10                               | A0     | 16.19±0.15 | B0 | 21.82±0.15 |
| S0 | 40.40±0.10 | P0 | 4.00 ±0.10                               | A1     |            | B1 |            |
| E  | 1.75 ±0.10 | P2 | 2.00 ±0.15                               | A2     |            | B2 |            |
| F  | 20.20±0.15 | D0 | 1.50 <sup>+0.10</sup> / <sub>-0.00</sub> | K0     | 20.15±0.20 | K1 | 15.85±0.15 |
| T  | 0.50 ±0.05 | D1 |                                          | SCALE: | UNIT:      | mm |            |

1. Material: Black Conductive Polystyrene Alloy.
2. Packing length per 13" reel: 2.2 Meters.
3. Component load per 13" reel: 60 pcs.  
5 Reel in one box  
300pcs in one box
4. All dimension meet EIA-481-D requirements.

DIMENSIONS ARE IN MILLIMETERS

© Copyright, 2018. Pulse Electronics Corp. All rights reserved. Pulse confidential & proprietary. (08/28/18)

|                          |                |            |        |             |                |
|--------------------------|----------------|------------|--------|-------------|----------------|
| PRODUCT DESCRIPTION      | TLA DRAWING    | PS DRAWING | SHEET  | PART NO.    | DATASHEET REV. |
| CONN,RJ45,1X1,1GD,1:1,TY | JXD0-9015NL-X1 | -          | 6 OF 6 | JXD0-9006NL | A              |

## X-ON Electronics

Largest Supplier of Electrical and Electronic Components

*Click to view similar products for [Modular Connectors](#) / [Ethernet Connectors](#) category:*

*Click to view products by [Pulse](#) manufacturer:*

Other Similar products are found below :

[8949-H88/06BLKA/SN](#) [74441-0010/BKN](#) [MP1010RX-1000](#) [MP44RX-1000](#) [PHP-6P6C-5](#) [GAX-3-66](#) [GAX-8-62](#) [GDCX-PA-66-50](#) [GDCX-PN-64](#) [GDCX-PN-66](#) [GDCX-PN-66-50](#) [GDLX-A-66](#) [GDLX-N-66](#) [GDLX-S-66](#) [GDLX-S-88K](#) [GDTX-S-88-50](#) [GDX-PA-1010](#) [GLX-N-1010M-BLK](#) [GLX-S-88M-BLK](#) [GMX-N-1010](#) [GMX-S-1010](#) [GMX-S-66](#) [GMX-SMT4-N-88](#) [GPX-2-64](#) [GSGX-N-2-88](#) [GSGX-N-4-88](#) [GSX-NS2-88-3.05](#) [GSX-NS2-88-3.05-50](#) [GSX-NS-88-3.05-50](#) [PT-108A-8C-UL](#) [PT-J951-8C](#) [PTS-J531-8CS-50UL](#) [1-1775629-2](#) [A-2014-0-4](#) [GWLX-S-88-GR](#) [GWLX-S9-88-YG](#) [DC-1021-8-WH-6](#) [1300530003](#) [1324640-4](#) [RJ11FTVC2G](#) [RJ11FTVC2N](#) [RJFTVX2SA1G](#) [132764-001](#) [1413235](#) [MP88X-1000](#) [MPS88RX-5000](#) [E5288-S000K3-L](#) [E5908-15A242-L](#) [155302-001](#) [AX100653](#)