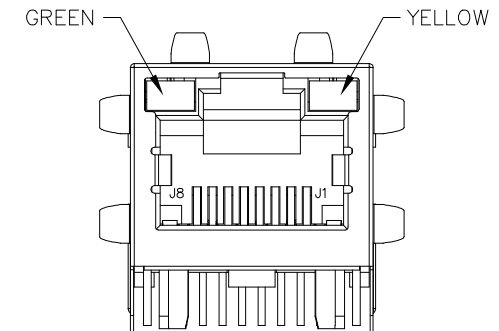
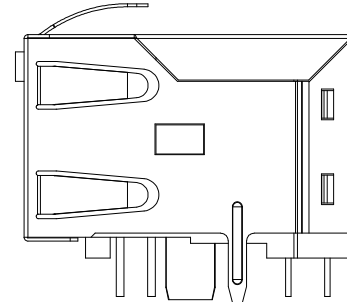
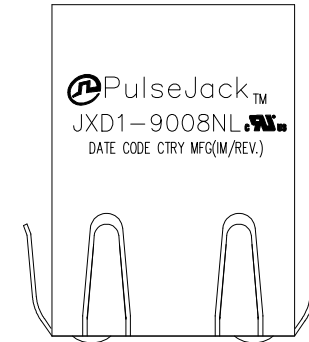
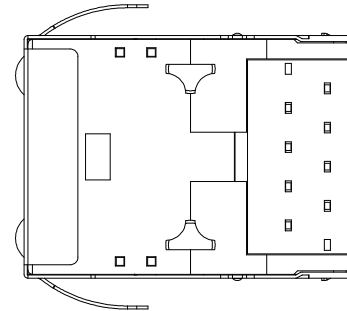




NOTES:

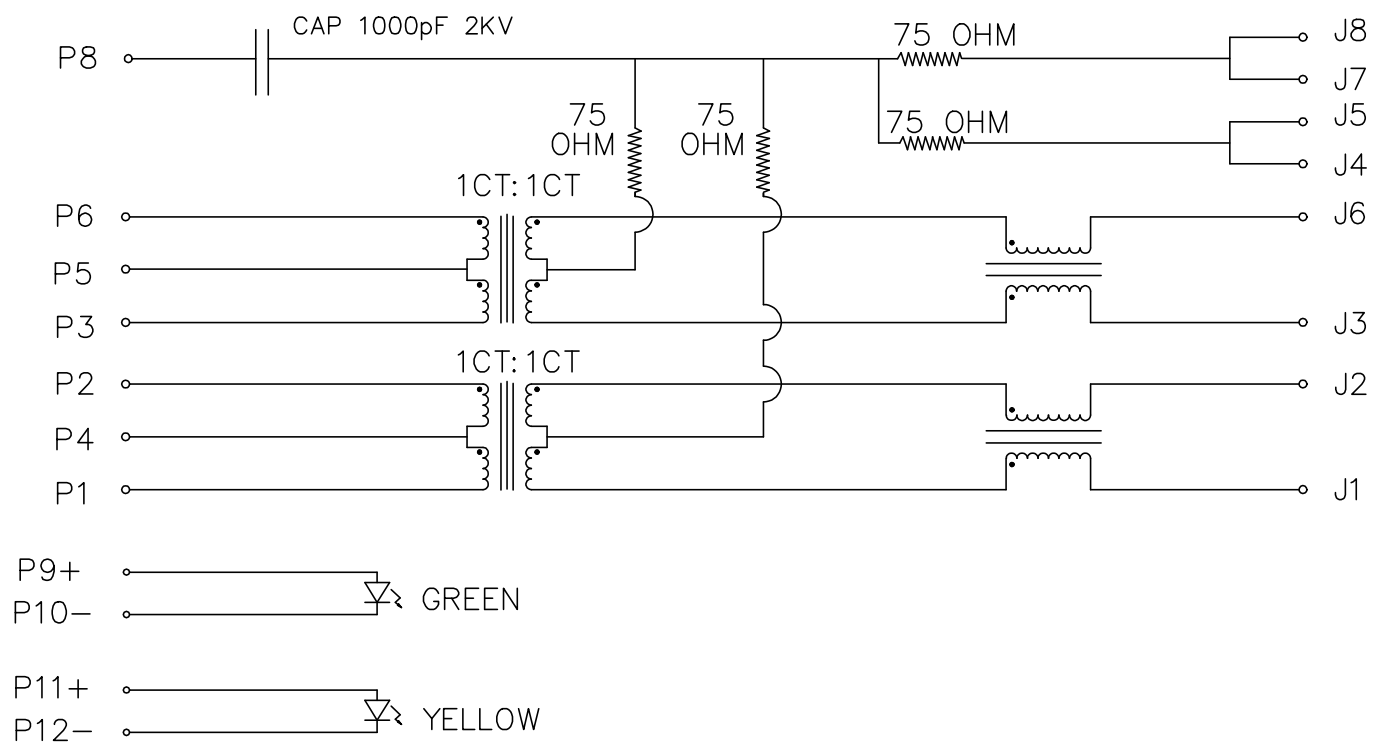
- CONNECTOR MATERIAL:
HOUSING: LCP BLACK UL94 V-0
INSERTER: LCP BLACK UL94 V-0
SHIELD: BRASS
SHIELD PLATING: NICKEL
CONTACT: COOPER ALLOY
CONTACT PLATING: SELECTIVE GOLD, 30 MICRO-INCHS MIN IN CONTACT AREA
- PIN NOT ELECTRICALLY CONNECTED MAYBE OMITTED SEE ELECTRICAL DRAWING FOR OMITTED PINS
- RJ45 CAVITIES CONFORM TO FCC RULES AND REGULATION PART 68.
- THE PART IS RECOMMENDED FOR REFLOW SOLDERING PROCESS PEAK SOLDERING TEMPERATURE IS 245°C MAX, 10 SECS MAX
- OPERATING TEMPERATURE T=-40°C TO +85°C.
- STORAGE TEMPERATURE T=-40°C TO +85°C.
- PACKAGING INFORMATION: 50 PCS/TRAY, 1200 PCS/BOX.



FINAL OUTLINE

© Copyright, 2018. Pulse Electronics Corp. All rights reserved. Pulse confidential & proprietary. (08/15/18)

PRODUCT DESCRIPTION	TLA DRAWING	PS DRAWING	SHEET	PART NO.	DATASHEET REV.
CONN,RJ45,1X1,100D,1:1,1,TY	JXD1-9008NL-X1	-	1 OF 6	JXD1-9008NL	B



1. TURN RATIO @100KHz: (P1~P4) (J1~J2)
2. PRIMARY INDUCTANCE: 350uH
3. DC RESISTANCE: (J1~J2): (J3~J6)
4. INSERTION LOSS: 1-100MHz
5. RETURN LOSS: 1-30MHz
30-60MHz
60-80MHz
6. CROSS TALK: 1-100MHz
7. COMMON TO COMMON MODE REJECTION: 1-100MHz
8. ISOLATION: PHY SIDE TO LINE SIDE

LED SPECIFICATION:

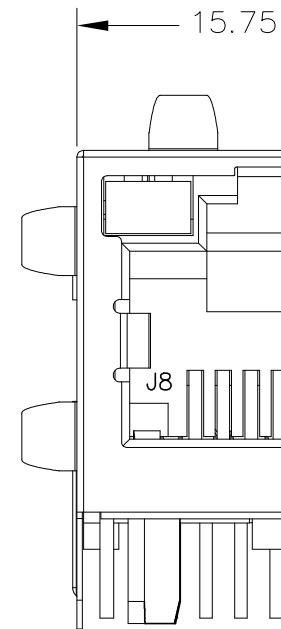
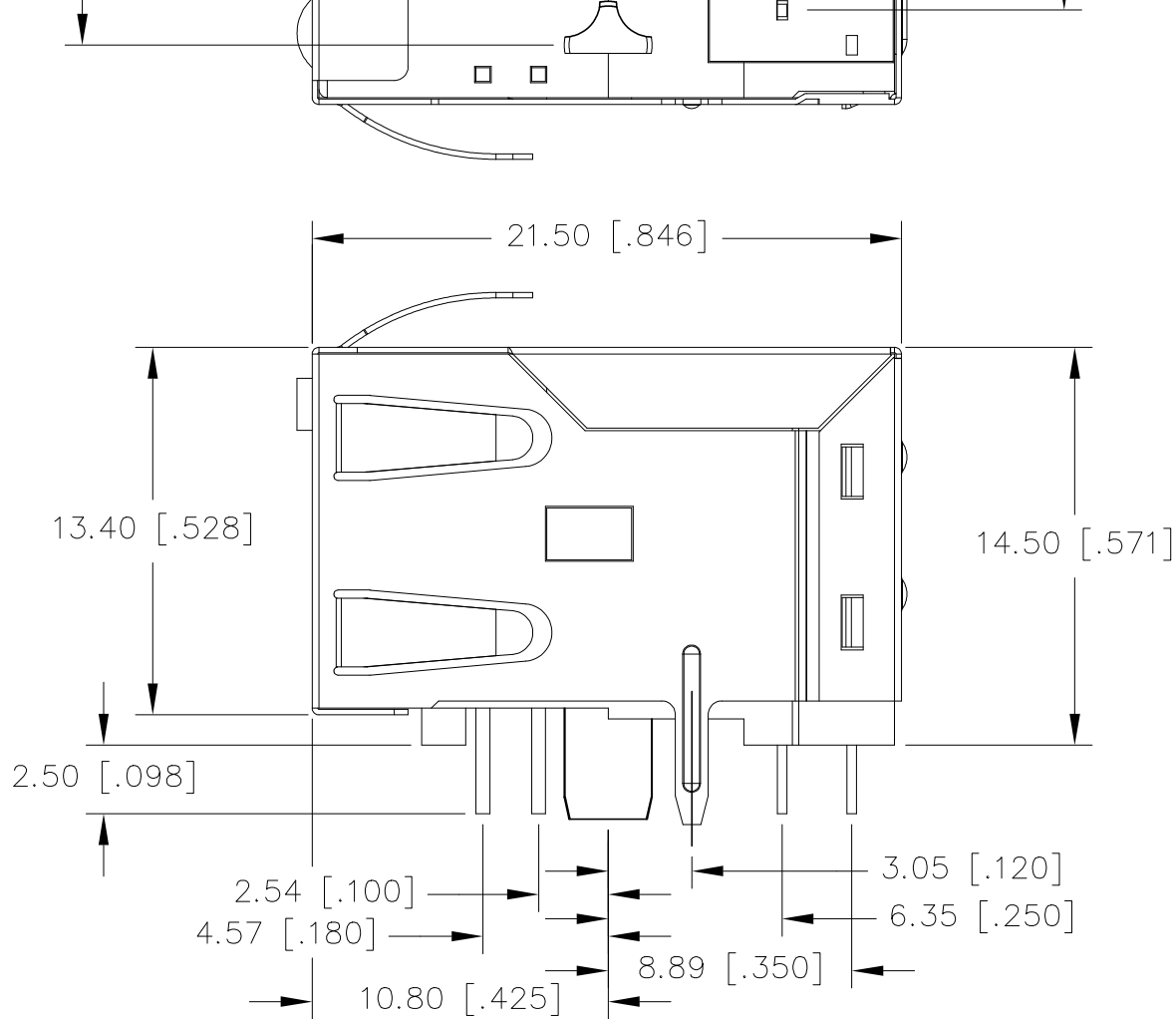
STANDARD LED	WAVELENGTH
GREEN	565nm
YELLOW	590nm

*WITH A FORWARD CURRENT OF 20mA

SCHEMATIC

© Copyright, 2018. Pulse Electronics Corp. All rights reserved. Pulse confidential & proprietary. (08/15/18)

PRODUCT DESCRIPTION	TLA DRAWING	PS DRAWING	SHEET
CONN,RJ45,1X1,100D,1:1,TY	JXD1-9008NL-X1	-	2 OF 6

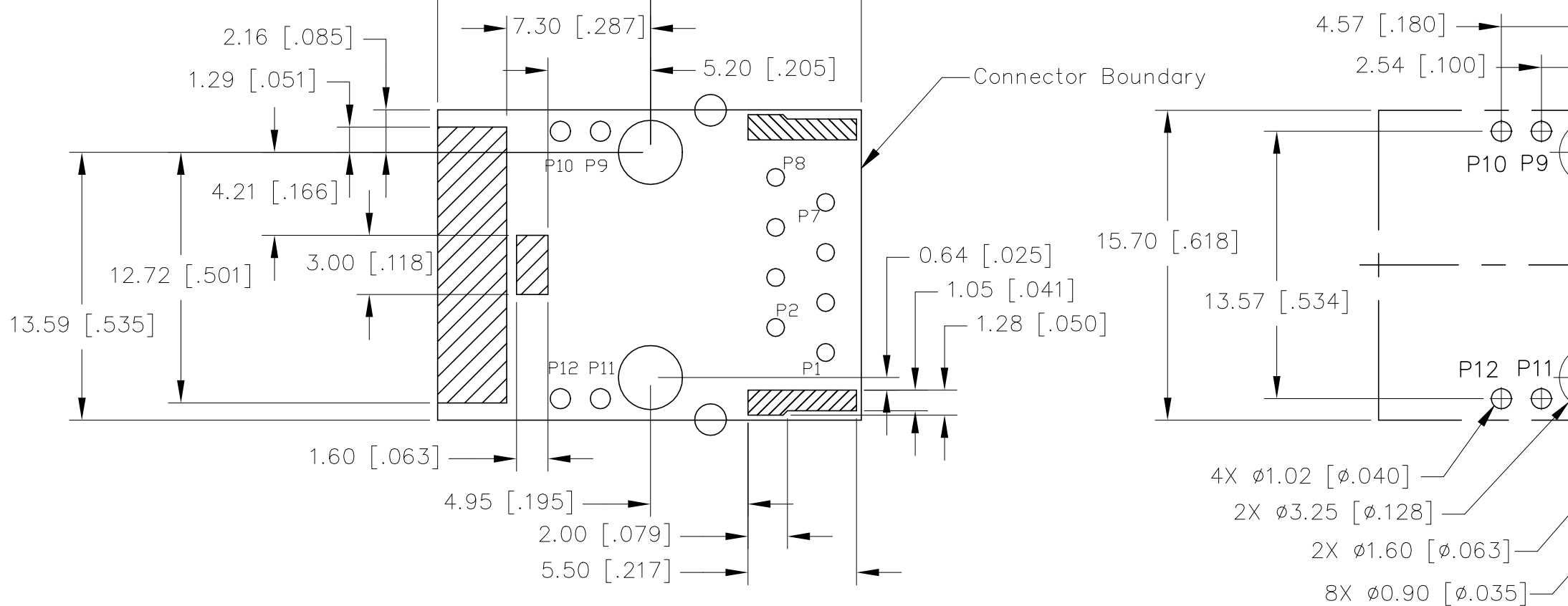


DIMENSIONS ARE IN MILLIMETERS [INCHES] WITH THE FOLLOWING TOLERANCES: [INCHES] ARE FOR REFERENCE ONLY.

X.XX= ± 0.25 [± 0.010]

© Copyright, 2018. Pulse Electronics Corp. All rights reserved. Pulse confidential & proprietary. (08/15/18)

PRODUCT DESCRIPTION	TLA DRAWING	PS DRAWING	SHEET
CONN,RJ45,1X1,100D,1:1,TY	JXD1-9008NL-X1	-	3 OF 6



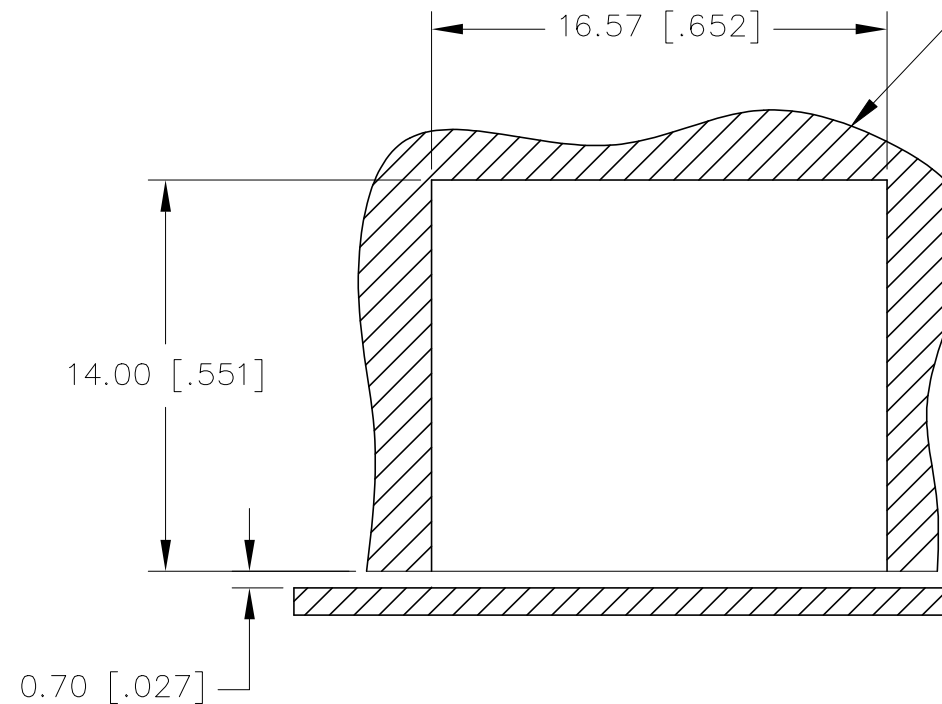
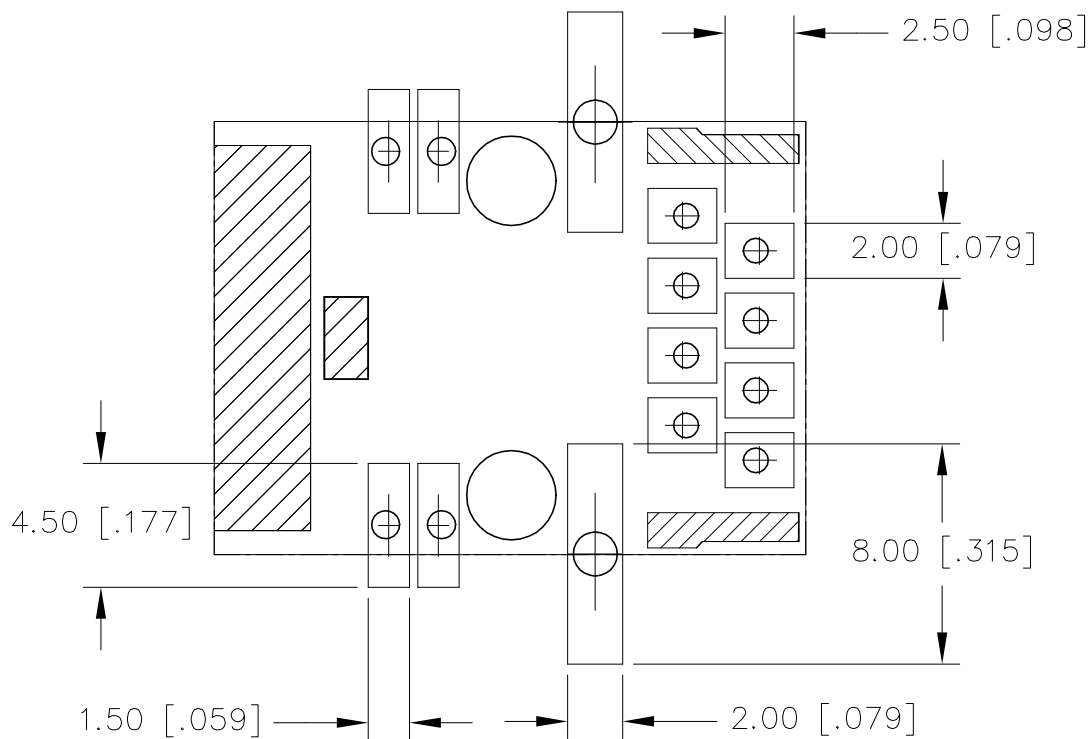
KEEP-OUT AREA (COMPONENT SIDE SHOWN)

RECOMMEN
(COMPON

DIMENSIONS ARE IN MILLIMETERS [INCHES] WITH THE FOLLOWING TOLERANCES: [INCHES] ARE FOR REFERENCE ONLY.
X.XX= ± 0.10 [± 0.004]

© Copyright, 2018. Pulse Electronics Corp. All rights reserved. Pulse confidential & proprietary. (08/15/18)

PRODUCT DESCRIPTION	TLA DRAWING	PS DRAWING	SHEET
CONN,RJ45,1X1,100D,1:1,TY	JXD1-9008NL-X1	-	4 OF 6



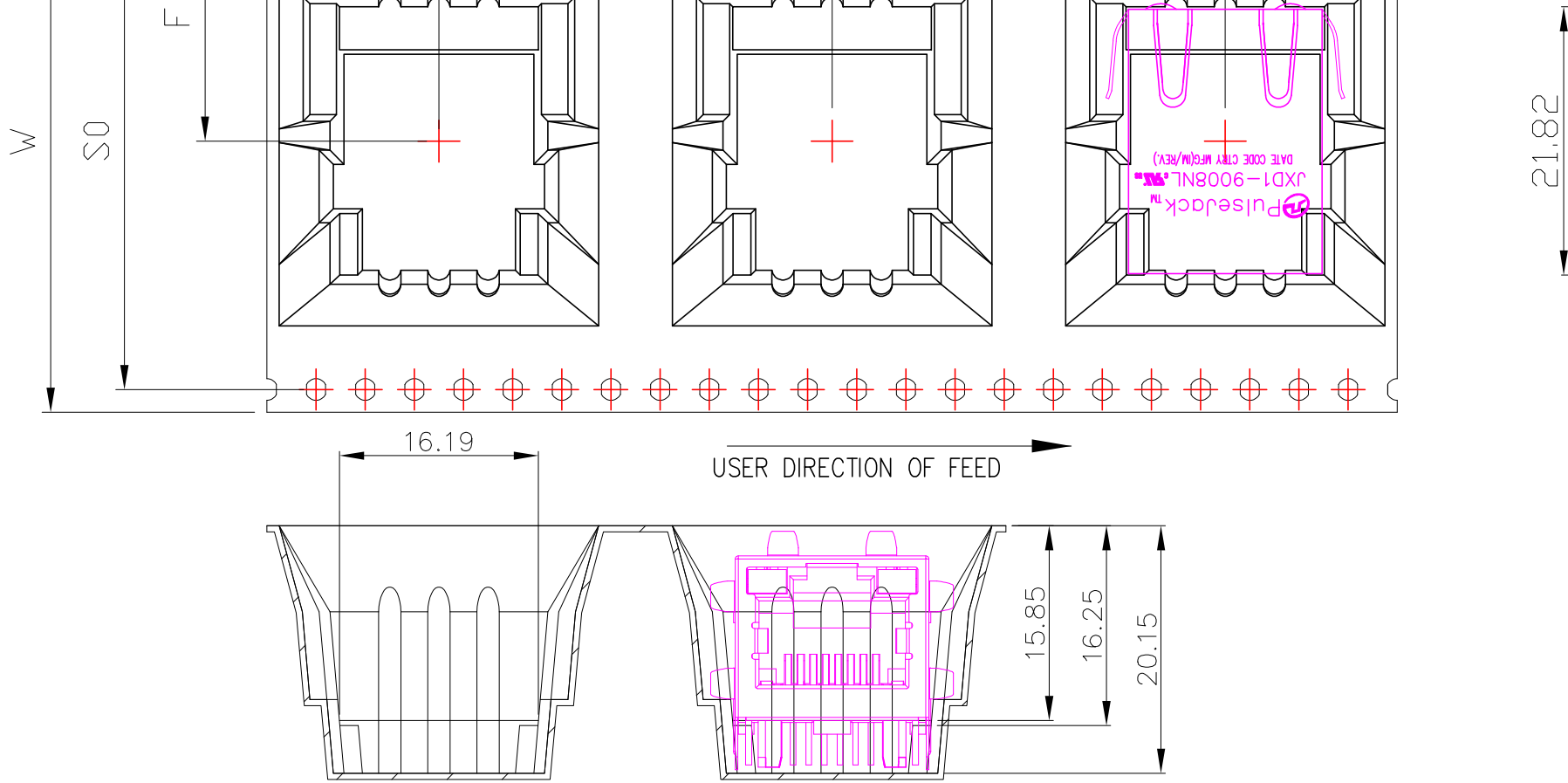
RECOMMENDED STENCIL DESIGN WITH THICKNESS 0.2MM
 RECOMMENDED PCB WITH THICKNESS 1.6MM
 (COMPONENT SIDE SHOWN)

SUGGES

DIMENSIONS ARE IN MILLIMETERS [INCHES] WITH THE FOLLOWING
 TOLERANCES: [INCHES] ARE FOR REFERENCE ONLY.
 X.XX= ± 0.10 [± 0.004]

© Copyright, 2018. Pulse Electronics Corp. All rights reserved. Pulse confidential & proprietary. (08/15/18)

PRODUCT DESCRIPTION	TLA DRAWING	PS DRAWING	SHEET
CONN,RJ45,1X1,100D,1:1,TY	JXD1-9008NL-X1	-	5 OF 6



W	44.00 ±0.30	P	32.00 ±0.10	A0	16.196±0.15	B0	21.82±0.15
S0	40.40 ±0.10	P0	4.00 ±0.10	A1		B1	
E	1.75 ±0.10	P2	2.00 ±0.15	A2		B2	
F	20.20 ±0.15	D0	1.50 ^{+0.10} / _{-0.00}	K0	20.15±0.20	K1	15.85±0.15
T	0.50 ±0.05	D1		SCALE:		UNIT:	mm

1. Material: Black Con
2. Packing length pe
3. Component load
4. All dimension me

DIMENSIONS ARE IN MILLIMETERS

© Copyright, 2018. Pulse Electronics Corp. All rights reserved. Pulse confidential & proprietary. (08/15/18)

PRODUCT DESCRIPTION	TLA DRAWING	PS DRAWING	SHEET
CONN,RJ45,1X1,100D,1:1,TY	JXD1-9008NL-X1	-	6 OF 6

X-ON Electronics

Largest Supplier of Electrical and Electronic Components

Click to view similar products for [Modular Connectors / Ethernet Connectors](#) category:

Click to view products by [Pulse](#) manufacturer:

Other Similar products are found below :

[8949-H88/06BLKA/SN](#) [74441-0010/BKN](#) [MP1010RX-1000](#) [MP44RX-1000](#) [PHP-6P6C-5](#) [GAX-3-66](#) [GAX-8-62](#) [GDCX-PA-66-50](#) [GDCX-PN-64](#) [GDCX-PN-66](#) [GDCX-PN-66-50](#) [GDLX-A-66](#) [GDLX-N-66](#) [GDLX-S-66](#) [GDLX-S-88K](#) [GDTX-S-88-50](#) [GDX-PA-1010](#) [GLX-N-1010M-BLK](#) [GLX-S-88M-BLK](#) [GMX-N-1010](#) [GMX-S-1010](#) [GMX-S-66](#) [GMX-SMT4-N-88](#) [GPX-2-64](#) [GSGX-N-2-88](#) [GSGX-N-4-88](#) [GSX-NS2-88-3.05](#) [GSX-NS2-88-3.05-50](#) [GSX-NS-88-3.05-50](#) [PT-108A-8C-UL](#) [PT-J951-8C](#) [PTS-J531-8CS-50UL](#) [1-1775629-2](#) [A-2014-0-4](#) [GWLX-S-88-GR](#) [GWLX-S9-88-YG](#) [DC-1021-8-WH-6](#) [1300530003](#) [1324640-4](#) [RJ11FTVC2G](#) [RJ11FTVC2N](#) [RJFTVX2SA1G](#) [132764-001](#) [1413235](#) [MP88X-1000](#) [MPS88RX-5000](#) [E5288-S000K3-L](#) [E5908-15A242-L](#) [155302-001](#) [AX100653](#)