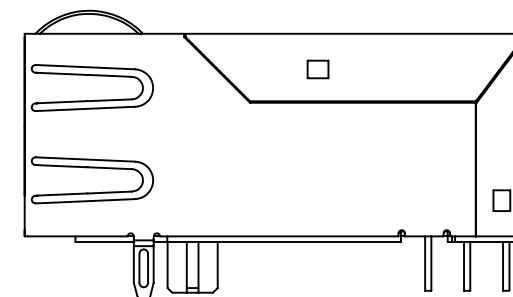
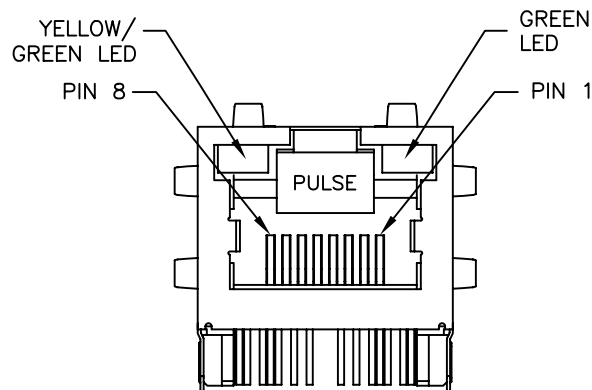
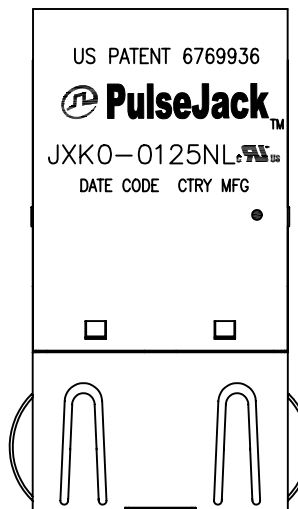


NOTES:

1. ROHS COMPLIANT
2. PLASTIC HOUSING: THERMOPLASTIC MATERIAL WITH FLAMMABILITY RATING UL 94V-0 OR BETTER.
3. CONTACTS PLATING: 50 MICRO-INCH GOLD PLATING.
4. CONTACTS BASE MATERIAL: PHOSPHOR BRONZE
5. UNDER PLATING: 30-50μ INCHES NICKEL
6. SOLDER TAIL PLATING : 200-500 μINCHES 100% TIN, MATTE FINISH.
7. METAL SHIELD: NICKEL PLATING ON COPPER ALLOY.
8. JACK CAVITY CONFORMS TO FCC PART 68 SUBPART.
9. PCB PLATING: HASL
10. STORAGE TEMPERATURE: -50°C TO +125°C
11. COMPLIANCE TO J-STD:
  - A. J-STD-002: SOLDERABILITY AT 245°C DIP AND LOOK TEST
  - B. J-STD-020: LEVEL 1, NO MOISTURE SENSITIVE
  - C. J-STD-075: W2, 270°C MAXIMUM THROUGH WAVE SOLDER



FINAL OUTLINE

© Copyright, 2014. Pulse Electronics Corp. All rights reserved. Pulse confidential & proprietary. (05/13/14)

| PRODUCT DESCRIPTION       | TLA DRAWING    | PS DRAWING    | SHEET  | PART NO.    | DATASHEET REV. |
|---------------------------|----------------|---------------|--------|-------------|----------------|
| CONN,RJ45,1X1,100P,1:1,TY | JXK0-0125NL-10 | PS-2390.009-C | 1 OF 5 | JXK0-0125NL | A              |

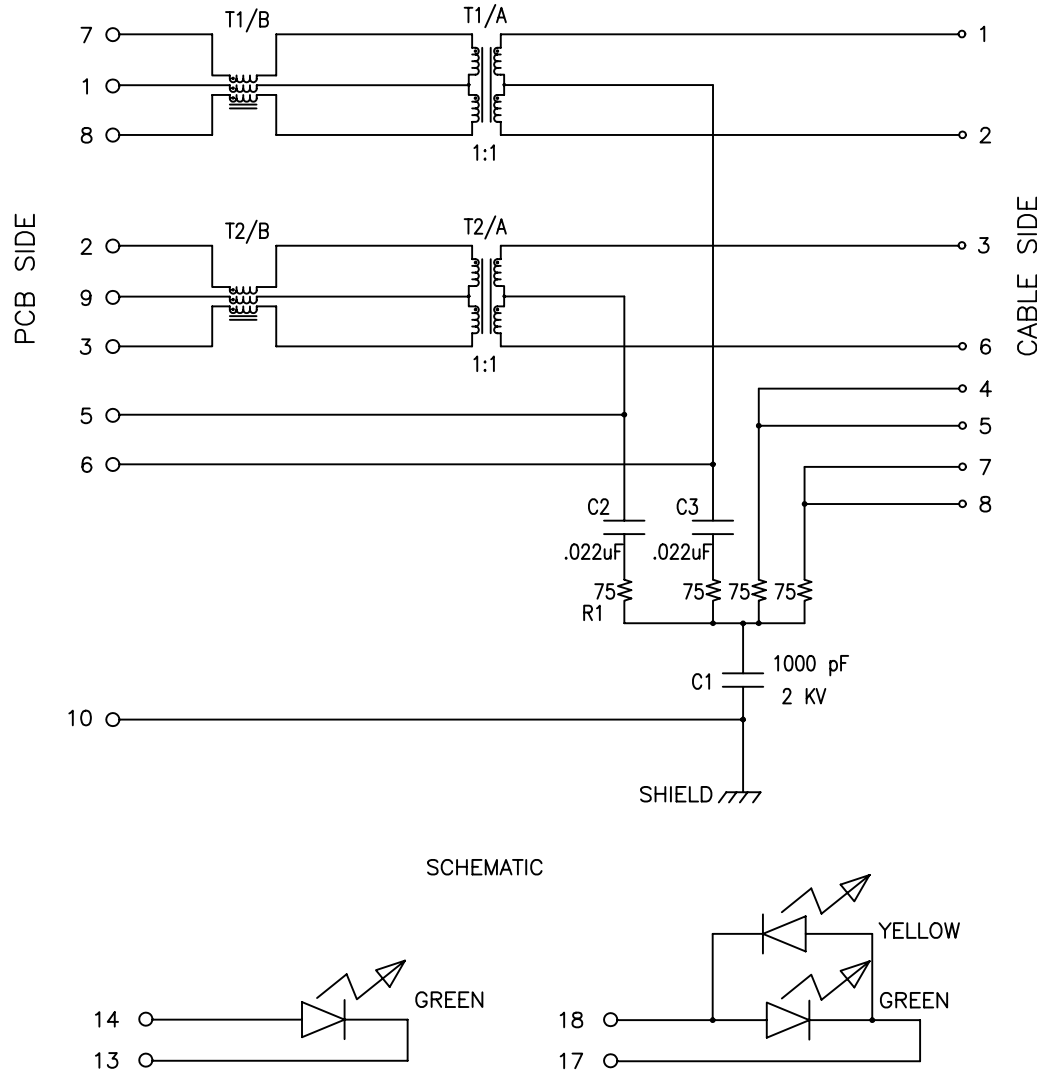
ELECTRICAL CHARACTERISTICS AT +25°C UNLESS OTHER SPECIFIED  
MEETS IEEE 802.3 SPECIFICATION

| PARAMETER                                    | SPECIFICATIONS   |  |
|--|--|--|
| OPERATING TEMP                               | -40°C - +85°C  |  |
| URNS RATIO                                   | 1 : 1 ±2%  |  |
| POLARITY                                     | PER SCHEMATIC  |  |
| INSERTION LOSS                               | 100 KHz  | 1-125 MHz                                  |
|  | -1.2 dB MAX  | -0.2-0.002*f <sup>1.4</sup> dB MAX         |
| RETURN LOSS<br>(Z OUT = 100 OHM ±15%)        | .1-40 MHz  | 40-100 MHz                                 |
|  | -16 dB MIN   | -10+20*LOG <sub>10</sub> (f/80 MHz) dB MIN |
| INDUCTANCE (OCL)<br>(MEDIA SIDE, -40°C~85°C) | 350 uH MIN (MEASURED AT 100 KHz, 100 mVRMS<br>AND WITH 8 mA DC BIAS) |  |
| CROSSTALK, ADJACENT<br>CHANNELS              | 1 MHz  | 10-100 MHz                                 |
|  | -50 dB MIN   | -55+22*LOG <sub>10</sub> (f/10) dB MIN     |
| COMMON MODE<br>REJECTION RATIO               | 2 MHz  | 30-200 MHz                                 |
|  | -50 dB MIN   | -15+20*LOG <sub>10</sub> (f/200) dB MIN    |
| INPUT - OUTPUT<br>ISOLATION                  | 2250 VDC MINIMUM FOR 60 SECONDS                                      |  |

NOTE: f IS FREQUENCY IN MHZ.

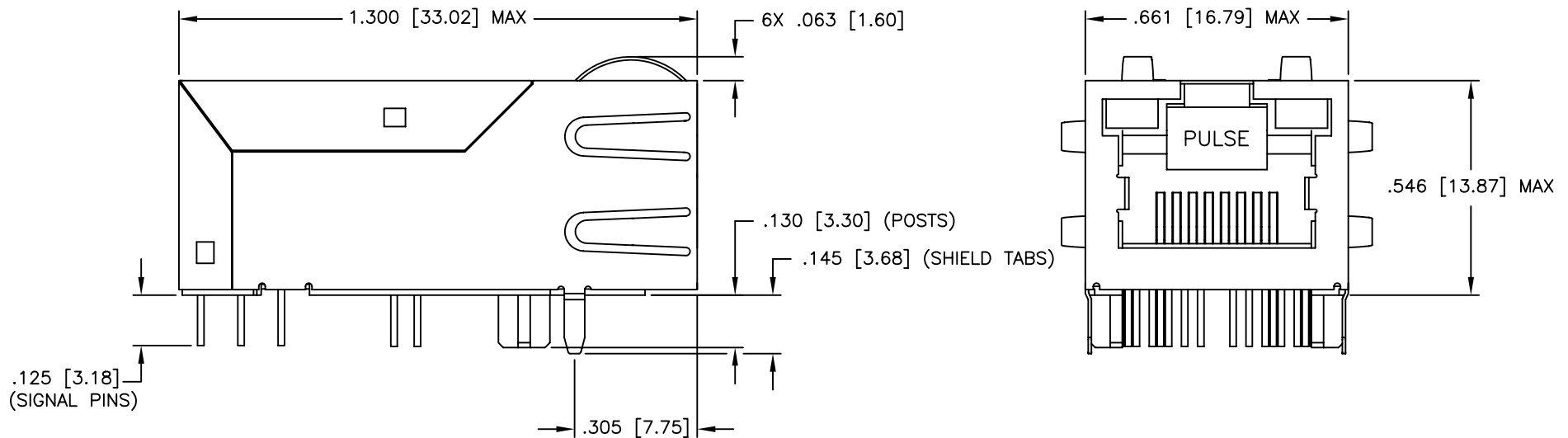
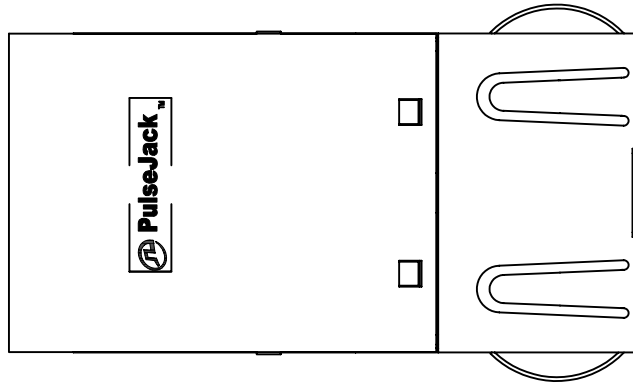
| EMMITTED COLOR         | GREEN               | YELLOW              |
|------------------------|---------------------|---------------------|
| WAVELENGTH (nm)        | 568 nm              | 585 nm              |
| BRIGHNESS (mCD)        | 8.5 TYP.<br>@ 20 mA | 6.0 TYP.<br>@ 20 mA |
| VIEWING ANGLE          | 85° - 100°          | 85° - 100°          |
| POWER DISSIPATION (Pd) | 100 mA MAX          | 100 mA MAX          |
| DC FORWARD CURRENT     | 150 mA MAX          | 150 mA MAX          |
| REVERSE VOLTAGE (Vr)   | 2.2 TO 2.6 VOLTS    | 2.1 TO 2.6 VOLTS    |

NOTE: PER VENDOR'S SPECIFICATIONS



© Copyright, 2014. Pulse Electronics Corp. All rights reserved. Pulse confidential & proprietary. (05/13/14)

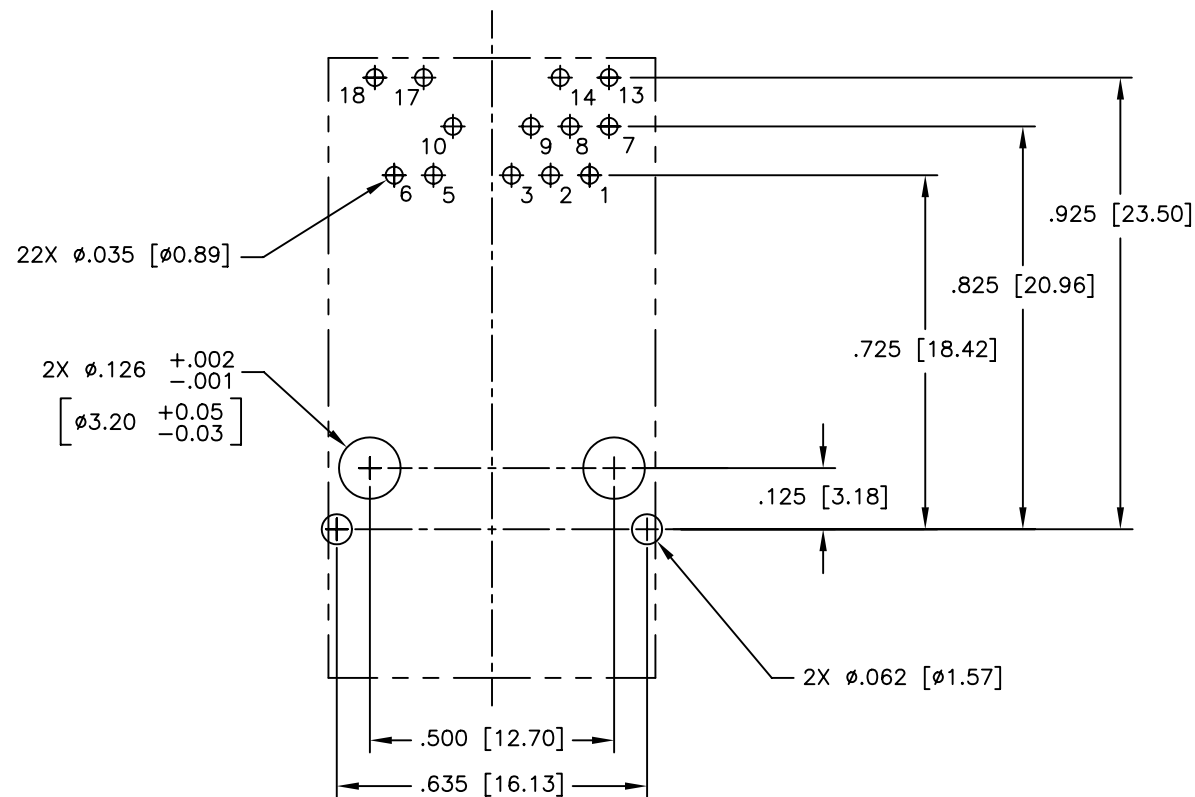
| PRODUCT DESCRIPTION       | TLA DRAWING    | PS DRAWING    | SHEET  | PART NO.    | DATASHEET REV. |
|---------------------------|----------------|---------------|--------|-------------|----------------|
| CONN,RJ45,1X1,100P,1:1,TY | JXK0-0125NL-10 | PS-2390.009-C | 2 OF 5 | JXK0-0125NL | A              |



DIMENSIONS ARE IN INCHES [MILLIMETERS] WITH THE FOLLOWING TOLERANCES: [MILLIMETERS] ARE FOR REFERENCE ONLY.  
 .XX= ±.02 [±0.50]  
 .XXX= ±.010 [±0.25]

© Copyright, 2014. Pulse Electronics Corp. All rights reserved. Pulse confidential & proprietary. (05/13/14)

| PRODUCT DESCRIPTION       | TLA DRAWING    | PS DRAWING    | SHEET  | PART NO.    | DATASHEET REV. |
|---------------------------|----------------|---------------|--------|-------------|----------------|
| CONN,RJ45,1X1,100P,1:1,TY | JXK0-0125NL-10 | PS-2390.009-C | 3 OF 5 | JXK0-0125NL | A              |

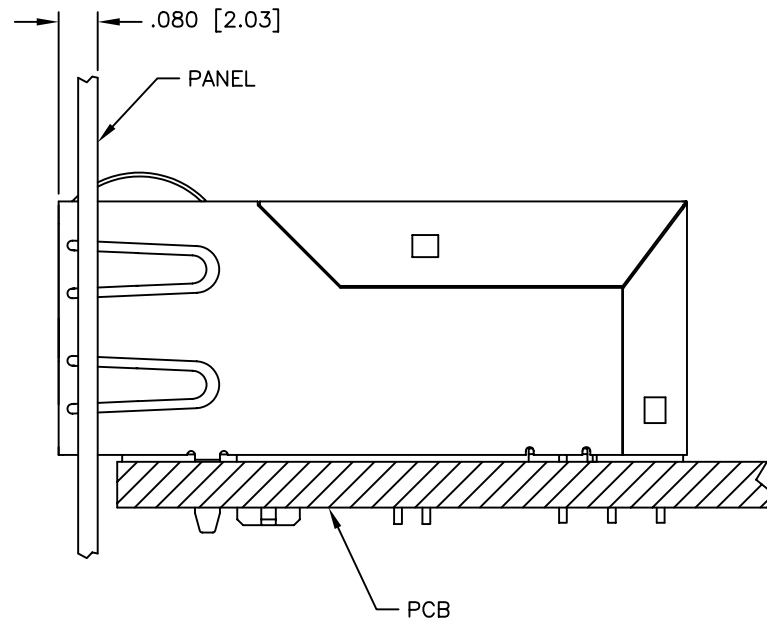
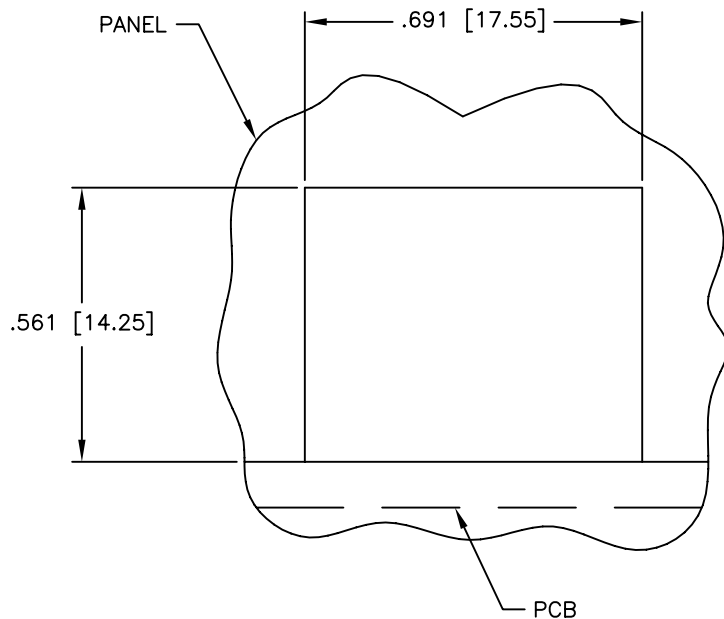


FRONT OF CONNECTOR  
SUGGESTED PCB LAYOUT  
(COMPONENT SIDE SHOWN)

DIMENSIONS ARE IN INCHES [MILLIMETERS] WITH THE FOLLOWING  
TOLERANCES: [MILLIMETERS] ARE FOR REFERENCE ONLY.  
.XXX=  $\pm$ .003 [ $\pm$ 0.08]

© Copyright, 2014. Pulse Electronics Corp. All rights reserved. Pulse confidential & proprietary. (05/13/14)

| PRODUCT DESCRIPTION       | TLA DRAWING    | PS DRAWING    | SHEET  | PART NO.    | DATASHEET REV. |
|---------------------------|----------------|---------------|--------|-------------|----------------|
| CONN,RJ45,1X1,100P,1:1,TY | JXK0-0125NL-10 | PS-2390.009-C | 4 OF 5 | JXK0-0125NL | A              |



SUGGESTED PANEL CUTOUT

DIMENSIONS ARE IN INCHES [MILLIMETERS] WITH THE FOLLOWING TOLERANCES: [MILLIMETERS] ARE FOR REFERENCE ONLY.  
 .XX= ±.02 [±0.50]  
 .XXX= ±.010 [±0.25]

© Copyright, 2014. Pulse Electronics Corp. All rights reserved. Pulse confidential & proprietary. (05/13/14)

| PRODUCT DESCRIPTION       | TLA DRAWING    | PS DRAWING    | SHEET  | PART NO.    | DATASHEET REV. |
|---------------------------|----------------|---------------|--------|-------------|----------------|
| CONN,RJ45,1X1,100P,1:1,TY | JXK0-0125NL-10 | PS-2390.009-C | 5 OF 5 | JXK0-0125NL | A              |

## X-ON Electronics

Largest Supplier of Electrical and Electronic Components

*Click to view similar products for [Pulse manufacturer](#):*

Other Similar products are found below :

[ICEFIN806DMN](#) [ICEFIN698/869DMN](#) [PH9085.011NL](#) [PE-0603CD060KTT](#) [H1086NLT](#) [P0182T](#) [PA1494.442NL](#) [PE-0805CD030KTT](#) [PE-53363NLT](#) [23Z106SM-T](#) [HX5400NL](#) [JXD0-4005NL](#) [ST6200QNL](#) [T3001NL](#) [HX2019](#) [PE-67540NL](#) [PE-65968NL](#) [PE-65535NL](#) [T1142NLT](#) [H7019FNL](#) [P0841NL](#) [P0438T](#) [P0584](#) [P0752.474T](#) [P1167.154T](#) [STQN1553-45](#) [JY0-0016NL](#) [JG0-0098NL](#) [JG0-0025NL](#) [J20-0014NL](#) [W1911](#) [HX6101NL](#) [JXD1-0025NL](#) [RO2408NMD](#) [P0469NL](#) [P0841SNLT](#) [PB2134NL](#) [ST2-12B42](#) [PE-0805CM331JTT](#) [PE-51509NL](#) [53119](#) [J3026G01DNL](#) [P0849SNL](#) [W3012-K](#) [HX5020NL](#) [HX5201NL](#) [PE-68210NL](#) [T1124NL](#) [H5004NL](#) [JX30-0005NL](#)