

PulseJack™

1X1 Tab-Down RJ45

100 Base-TX RJ45 1X1 Tab-Down 8 pin Integrated Magnetics Connector, designed for industrial rated applications and is suitable for reflow solder mounting.



Features and Benefits:

- High Temperature rated parts designed for use in Pin-in-Paste processing with 260°C max reflow temperature
- Meets IEEE802.3 specification
- 350µH minimum OCL with 8mA DC bias current
- Extended Temperature range from -40°C to 85°C

Electrical Specifications @ 25°C - Operating Temperature -40°C to +85°C

Part Number ¹	EMI Fingers	LED (L/R)	Insertion Loss 1 - 65MHz (dB TYP)	Return Loss (dB TYP)			CCMR (dB TYP)		Crosstalk (dB TYP)			Hipot (Vrms)
				1 - 10 MHz	30 MHz	60 - 80 MHz	1 - 50 MHz	50 - 130 MHz	1 - 10 MHz	30 - 60 MHz	60 - 100 MHz	
JXRO-0001NL	YES	-	-1.0	-20	-16	-10	-30	-20	-40	-35	-30	1500
JXRO-0005NL	NO	-	-1.0	-20	-16	-10	-30	-20	-40	-35	-30	1500
JXRO-0011NL	YES	G/Y	-1.0	-20	-16	-10	-30	-20	-40	-35	-30	1500
JXRO-0015NL	NO	G/Y	-1.0	-20	-16	-10	-30	-20	-40	-35	-30	1500

Notes:

- When ordering JXRO-0011NL supplied in **Tape and Reel**, please add a "T" on the end of the part code - e.g. JXRO-0011NL becomes JXRO-0011NLT.
- Maximum Reflow Solder Temperature: 2x SRP 260°C for 5 seconds with LEDs and 2x SRP 260°C for 10 seconds

RJ45 Durability Testing Rating

Part Number	Mating Force (MAX)	Unmating Force (MAX)	Durability	Plug to Jack Retention (MIN)
JXRO - Series	5 lbs./2.268 kgs.	5 lbs./2.268 kgs.	750 Insertions	20 lbs./9.072 kgs.

RJ45 Material Specification

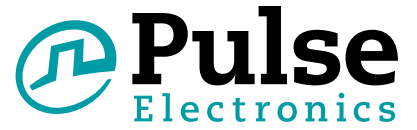
Part Number	Shield		Contact			Housing		MSL ²
	Material	Finish	Material	Plating Area	Solder Area	Material	Specification	Rating
JXRO - Series	Brass	10-20m inches Nickel over 10-20m inches Brass	Phosphor Bronze	Nickel underplating and selective gold plating 30µ inches	Matte Tin finish oyer Nickel	Thermoplastic	UL 94 V-0	1

Notes: **1.** Connector dimensions comply with FCC dimension requirements. **2.** MSL = Moisture Sensitivity Level rating from 1 to 5 (highest rating = 1, lowest rating = 5).

PulseJack™

1X1 Tab-Down RJ45

100 Base-TX RJ45 1X1 Tab-Down 8 pin Integrated Magnetics Connector, designed for industrial rated applications and is suitable for reflow solder mounting.

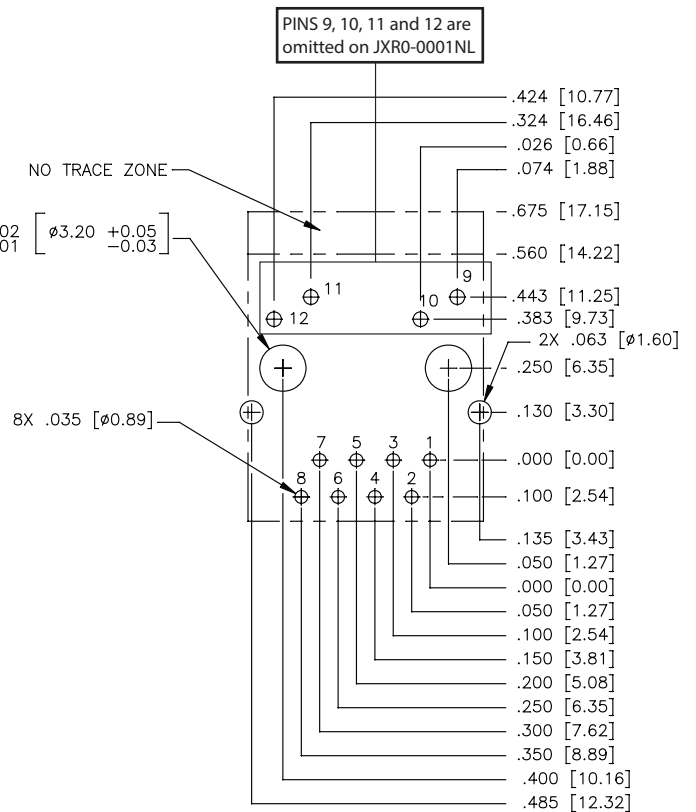
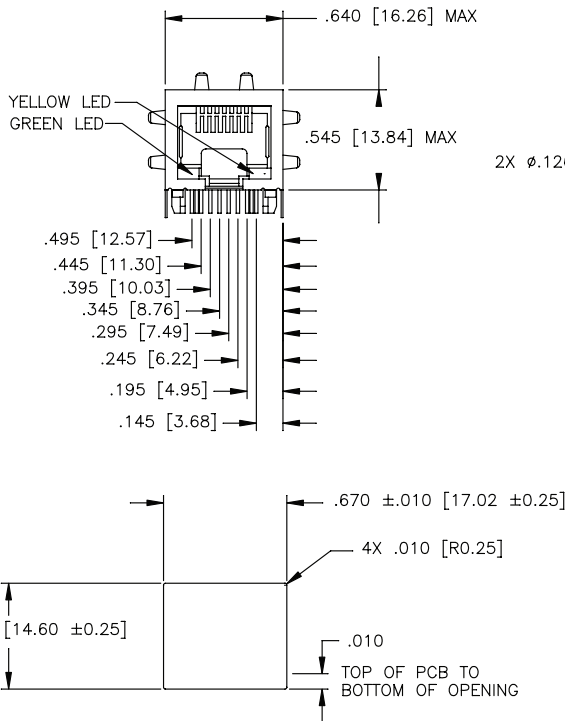
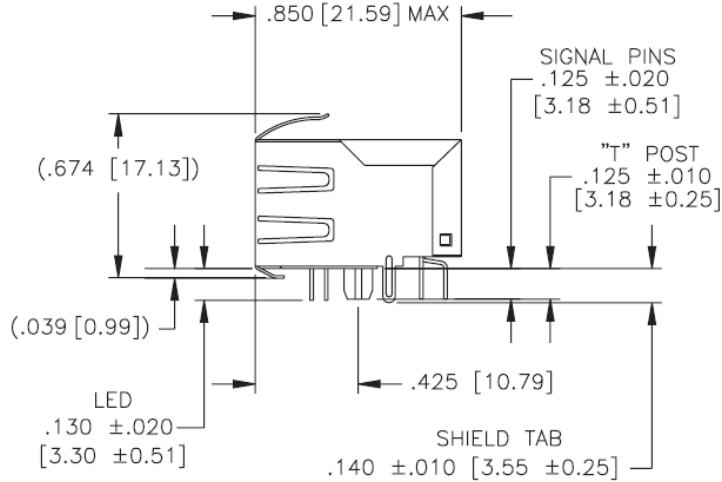


Mechanicals

JXRO-0001/JXRO-0011NL

Dimensions: $\frac{\text{Inches}}{\text{mm}}$

Unless otherwise specified, all tolerances are $\pm \frac{.010}{.25}$



RECOMMENDED PANEL CUTOUT

RECOMMENDED PCB LAYOUT VIEWED FROM COMPONENT SIDE

PCB LAYOUT DIMENSIONS REFERENCED TO PIN#1 AND ±.003 UNLESS OTHERWISE SPECIFIED

PulseJack™ 1X1 Tab-Down RJ45

100 Base-TX RJ45 1X1 Tab-Down 8 pin Integrated Magnetics Connector, designed for industrial rated applications and is suitable for reflow solder mounting.

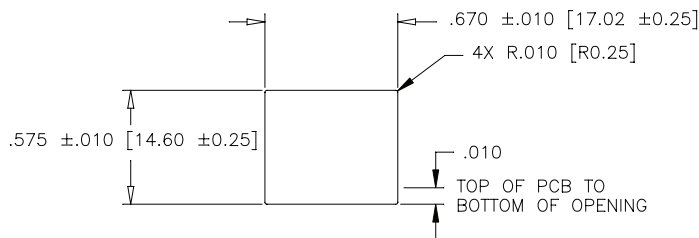
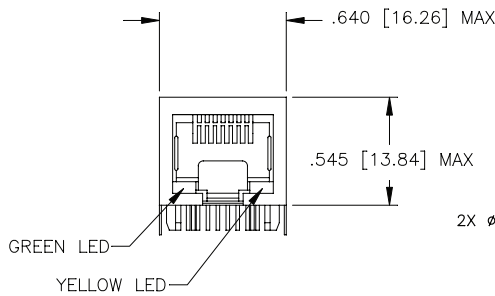
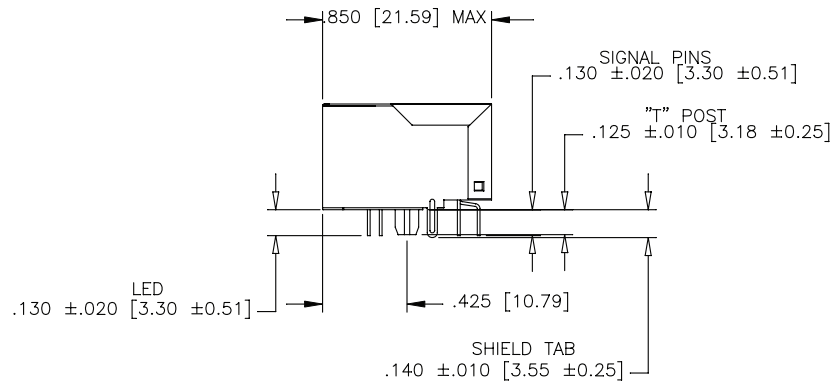


Mechanicals (continued)

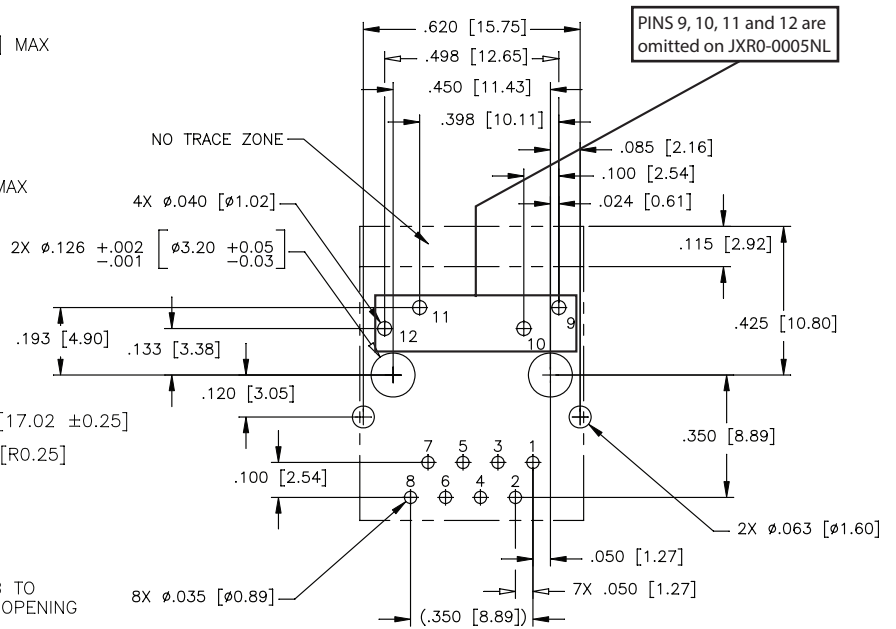
JXRO-0005NL/JXRO-0015NL

Dimensions: $\frac{\text{Inches}}{\text{mm}}$

Unless otherwise specified,
all tolerances are $\pm \frac{.010}{0,25}$



RECOMMENDED PANEL CUTOUT



RECOMMENDED PCB LAYOUT VIEWED FROM
COMPONENT SIDE

PCB LAYOUT DIMENSIONS REFERENCED TO PIN#1 AND
 $\pm .003$ UNLESS OTHERWISE SPECIFIED

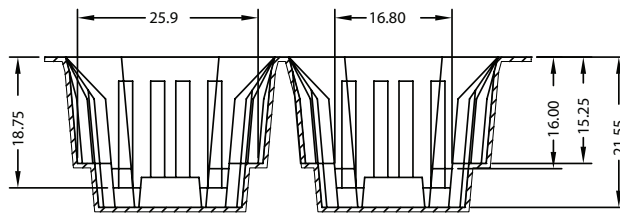
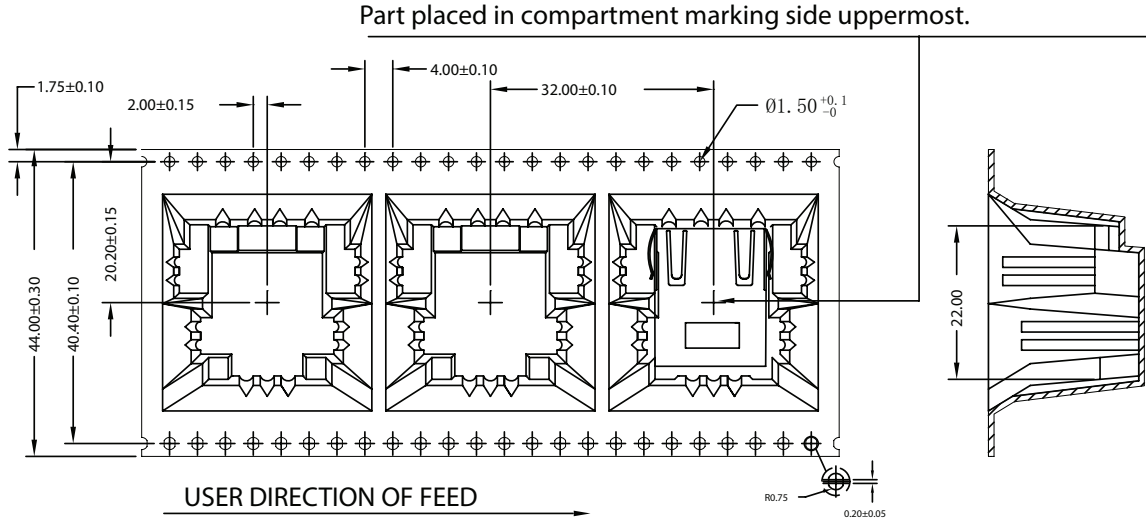
PulseJack™

1X1 Tab-Down RJ45

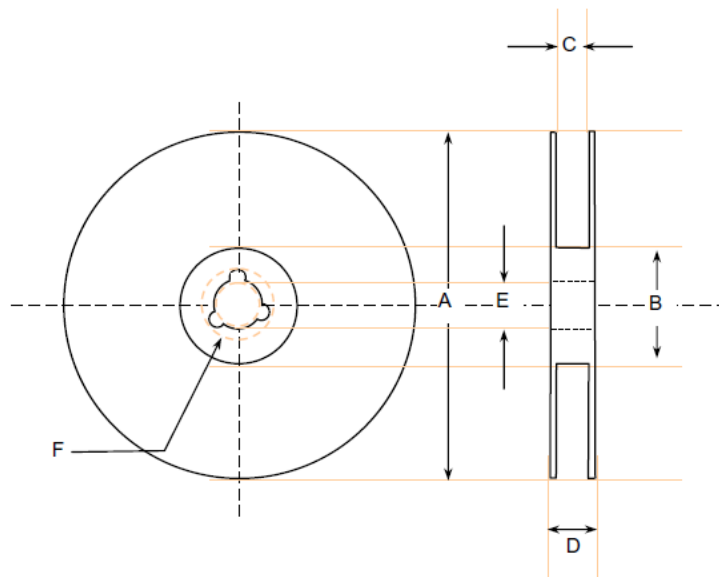
100 Base-TX RJ45 1X1 Tab-Down 8 pin Integrated Magnetics Connector, designed for industrial rated applications and is suitable for reflow solder mounting.



Tape and Reel Specification



Dimensions: given in mm
Unless otherwise specified, all tolerances are ± 0.15



PACKING SPECIFICATION:

JXR0-00xxNLT = TAPE and REEL80 parts/reel
 JXR0-00xxNL = TUBE25 parts
 JXR0-00x5NL = TUBE30 parts

REEL SPECIFICATION in mm

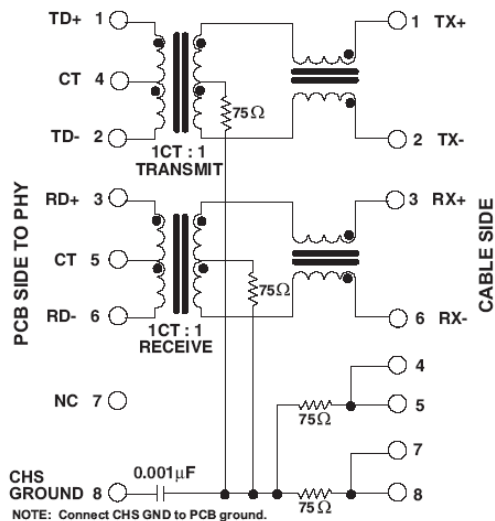
A = \varnothing 360.0 \pm -2.0 C = \varnothing 45.4 \pm -1.0 C = \varnothing 13.1 \pm -0.3
 B = \varnothing 100.0 \pm -0.5 D = \varnothing 50.4 \pm -1.0 D = \varnothing 21.0 \pm -0.5

PulseJack™

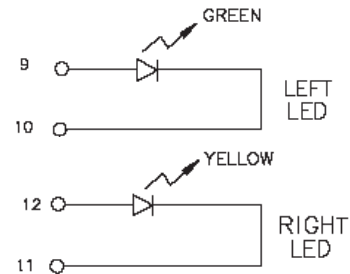
1X1 Tab-Down RJ45

100 Base-TX RJ45 1X1 Tab-Down 8 pin Integrated Magnetics Connector, designed for industrial rated applications and is suitable for reflow solder mounting

Electrical Schematic



LED Specification



Standard LED	Wavelength	Forward* V (MAX)	(TYP)
Yellow	585 nm	2.5 V	2.1 V
Green	565 nm	2.5 V	2.2 V

* Assumes bias current = 20mA

For More Information

Pulse Worldwide Headquarters
12220 World Trade Drive
San Diego, CA
92128
U.S.A.

Pulse Europe
Einsteinstrasse 1
D-71083 Herrenberg
Germany

Pulse China Headquarters
B402, Shenzhen Academy of
Aerospace Technology Bldg.
10th Kejinan Road
High-Tech Zone
Nanshan District
Shenzhen, PR China
518057
Tel: 86 755 33966678
Fax: 86 755 33966700

Pulse North China
Room 2704/2705
Super Ocean Finance
Ctr.
2067 Yan An Road
West
Shanghai 200336
China
Tel: 86 21 62787060
Fax: 86 2162786973

Pulse South Asia
135 Joo Seng Road
#03-02
PM Industrial Bldg.
Singapore 368363
Tel: 65 6287 8998
Fax: 65 6287 8998

Pulse North Asia
3F, No. 198
Zhongyuan Road
Zhongli City
Taoyuan County 320
Taiwan R. O. C.
Tel: 886 3 4356768
Fax: 886 3 4356823 (Pulse)
Fax: 886 3 4356820 (FRE)

Performance warranty of products offered on this data sheet is limited to the parameters specified. Data is subject to change without notice. Other brand and product names mentioned herein may be trademarks or registered trademarks of their respective owners. © Copyright, 2014. Pulse Electronics, Inc. All rights reserved.

X-ON Electronics

Largest Supplier of Electrical and Electronic Components

Click to view similar products for [Modular Connectors / Ethernet Connectors](#) category:

Click to view products by [Pulse](#) manufacturer:

Other Similar products are found below :

[8949-H88/06BLKA/SN](#) [74441-0010/BKN](#) [MP1010RX-1000](#) [MP44RX-1000](#) [PHJ-4P4C-1-V-4](#) [PHP-6P6C-5](#) [GAX-3-66](#) [GAX-8-62](#) [GDCX-PA-66-50](#) [GDCX-PN-64](#) [GDCX-PN-66](#) [GDCX-PN-66-50](#) [GDLX-A-66](#) [GDLX-N-66](#) [GDLX-S-66](#) [GDLX-S-88K](#) [GDTX-S-88-50](#) [GDX-PA-1010](#) [GLX-N-1010M-BLK](#) [GLX-S-88M-BLK](#) [GMX-N-1010](#) [GMX-S-1010](#) [GMX-S-66](#) [GMX-SMT4-N-88](#) [GPX-2-64](#) [GSGX-N-2-88](#) [GSGX-N-4-88](#) [GSX-NS2-88-3.05](#) [GSX-NS2-88-3.05-50](#) [GSX-NS-88-3.05-50](#) [PT-108A-8C-UL](#) [PT-J951-8C](#) [PTS-J531-8CS-50UL](#) [1-1775629-2](#) [A-2014-0-4](#) [GWLX-S-88-GR](#) [GWLX-S9-88-YG](#) [DC-1021-8-WH-6](#) [1300530003](#) [1324640-4](#) [RJ11FTVC2G](#) [RJ11FTVC2N](#) [RJFTVX2SA1G](#) [132764-001](#) [1413235](#) [MP88X-1000](#) [MPS88RX-5000](#) [E5288-S000K3-L](#) [E5908-15A242-L](#) [155302-001](#)