





PulseJack™

1X1 Tab-Up RJ45

100 Base-TX RJ45 1X1 Tab-Up 8 pin Integrated Magnetics Connector, designed for industrial rated applications and is suitable for reflow solder mounting.



Features and Benefits:

-  High Temperature rated parts designed for use in Pin-in-Paste processing with 260°C max reflow temperature
-  Meets IEEE802.3 specification
-  350µH minimum OCL with 8mA DC bias current
-  Extended Temperature range from -40°C to 85°C

Electrical Specifications @ 25°C - Operating Temperature -40°C to +85°C

Part Number ¹	EMI Fingers	LED (L/R)	Insertion Loss 1 - 65MHz (dB TYP)	Return Loss (dB TYP)			CCMR (dB TYP)		Crosstalk (db TYP)			Hipot (Vrms)
				1 - 10 MHz	30 MHz	60 - 80 MHz	1 - 50 MHz	50 - 130 MHz	1 - 10 MHz	30 - 60 MHz	60 - 100 MHz	
JXR1-0001NL	YES	-	-1.0	-20	-16	-10	-30	-20	-40	-35	-30	1500
JXR1-0005NL	NO	-	-1.0	-20	-16	-10	-30	-20	-40	-35	-30	1500
JXR1-0011NL	YES	G/Y	-1.0	-20	-16	-10	-30	-20	-40	-35	-30	1500
JXR1-0015NL	NO	G/Y	-1.0	-20	-16	-10	-30	-20	-40	-35	-30	1500

Notes:

1. When ordering JXR0-0011NL supplied in **Tape and Reel**, please add a "T" on the end of the part code - e.g. JXR1-0011NL becomes JXR1-0011NLT.
2. Maximum Reflow Solder Temperature: 2x SRP 260°C for 5 seconds with LEDs and 2x SRP 260°C for 10 seconds without LEDs

RJ45 Durability Testing Rating

Part Number	Mating Force (MAX)	Unmating Force (MAX)	Durability	Plug to Jack Retention (MIN)
JXR1 - Series	5 lbs./2.268 kgs.	5 lbs./2.268 kgs.	750 Insertions	20 lbs./9.072 kgs.

RJ45 Material Specification

Part Number	Shield		Contact			Housing		MSL ²
	Material	Finish	Material	Plating Area	Solder Area	Material	Specification	Rating
JXR1 - Series	Brass	10-20m inches Nickel over 10-20m inches Brass	Phosphor Bronze	Nickel underplating and selective gold plating 30µ inches	Matte Tin finish over Nickel	Thermoplastic	UL 94 V-0	3

Notes: 1. Connector dimensions comply with FCC dimension requirements. 2. MSL = Moisture Sensitivity Level rating from 1 to 5 (highest rating = 1, lowest rating = 5).

PulseJack™

1X1 Tab-Up RJ45

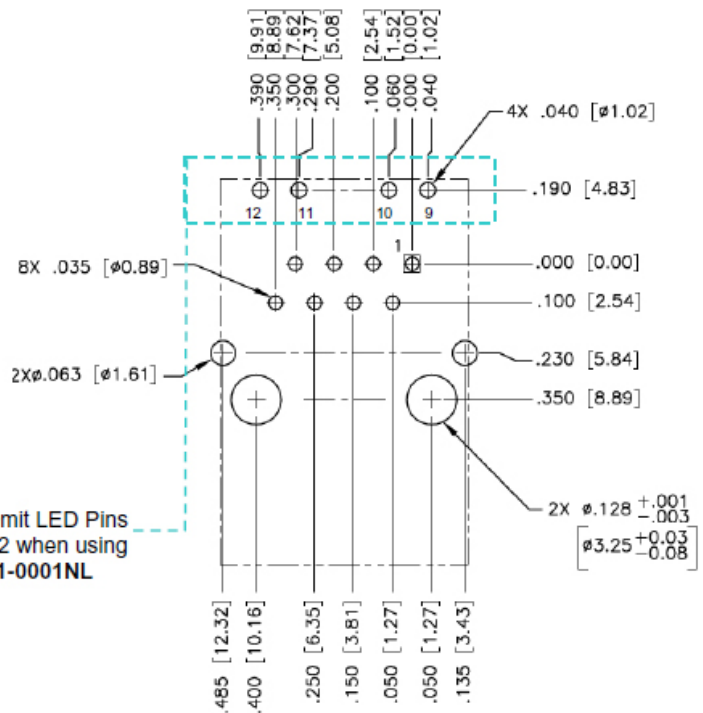
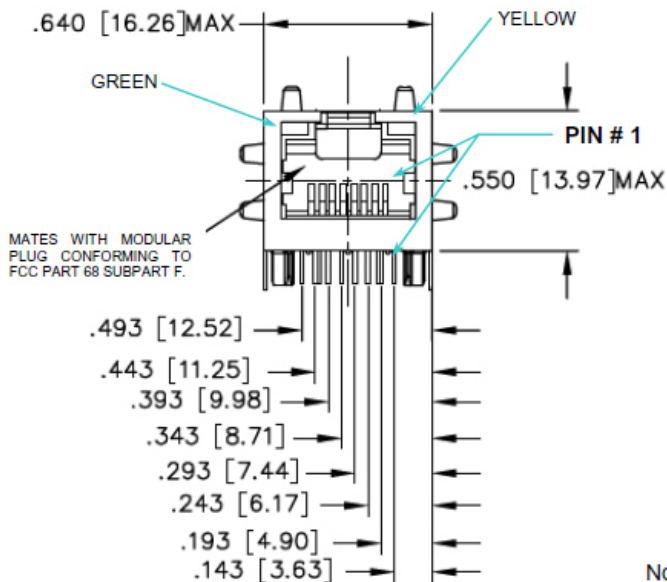
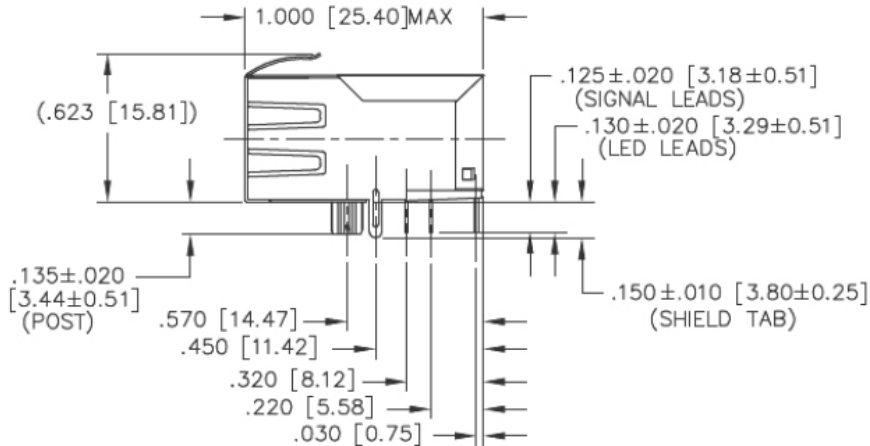
100 Base-TX RJ45 1X1 Tab-Up 8 pin Integrated Magnetics Connector, designed for industrial rated applications and is suitable for reflow solder mounting.

Mechanicals

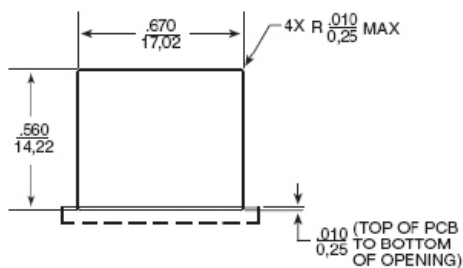
JXR1-0001/JXR1-0011NL

Dimensions: $\frac{\text{Inches}}{\text{mm}}$

Unless otherwise specified, all tolerances are $\pm \frac{.010}{0,25}$



Note: Omit LED Pins #9 to #12 when using JXR1-0001NL



FACE VIEW

RECOMMENDED PANEL CUTOUT

RECOMMENDED PCB LAYOUT VIEWED FROM COMPONENT SIDE

PCB LAYOUT DIMENSIONS REFERENCED TO PIN#1 AND $\pm .003$ UNLESS OTHERWISE SPECIFIED

J437.D (03/19)

PulseJack™

1X1 Tab-Up RJ45

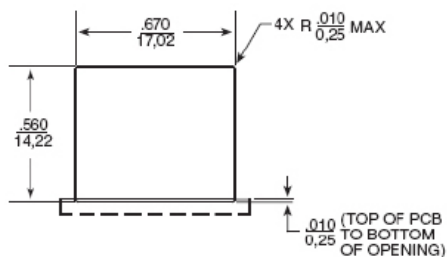
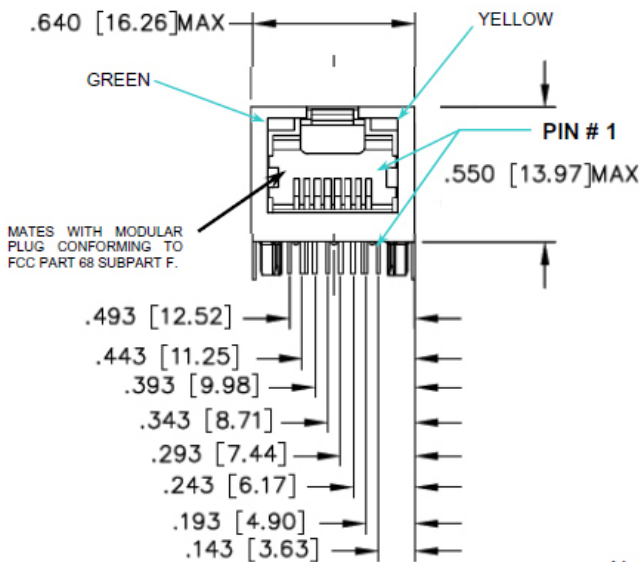
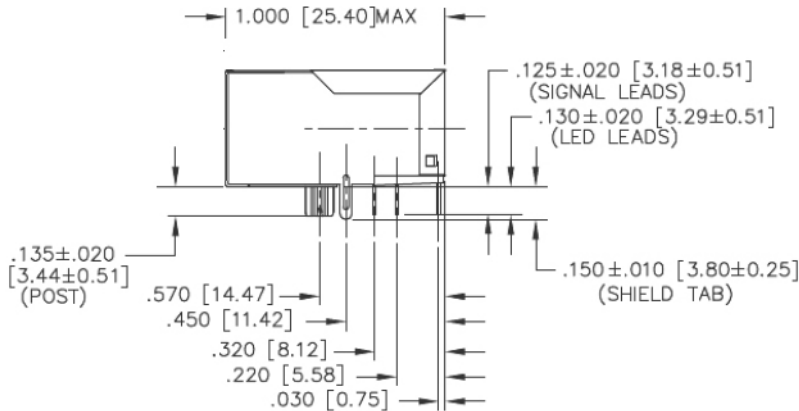
100 Base-TX RJ45 1X1 Tab-Up 8 pin Integrated Magnetics Connector, designed for industrial rated applications and is suitable for reflow solder mounting.

Mechanicals (continued)

JXR1-0005/JXR1-0015NL

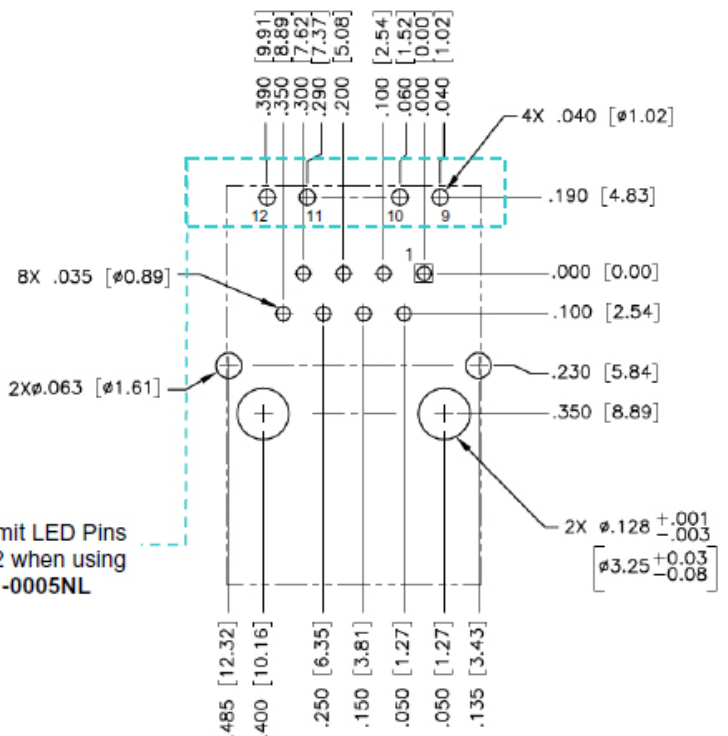
Dimensions: $\frac{\text{Inches}}{\text{mm}}$

Unless otherwise specified, all tolerances are $\pm \frac{.010}{0,25}$



FACE VIEW

RECOMMENDED PANEL CUTOUT



Note: Omit LED Pins #9 to #12 when using JXR1-0005NL

RECOMMENDED PCB LAYOUT VIEWED FROM COMPONENT SIDE

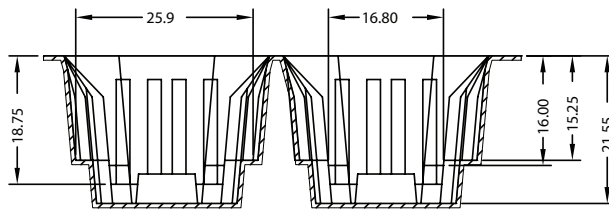
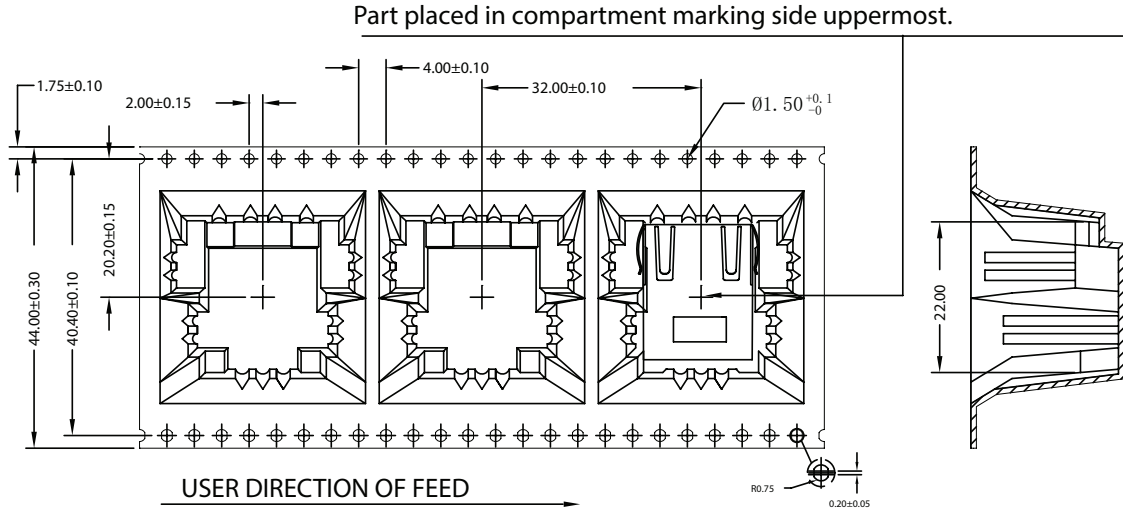
PCB LAYOUT DIMENSIONS REFERENCED TO PIN#1 AND $\pm .003$ UNLESS OTHERWISE SPECIFIED

PulseJack™

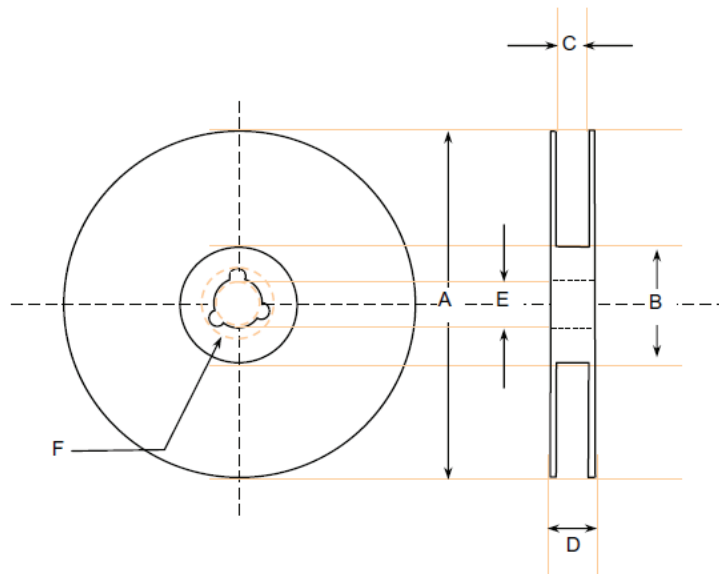
1X1 Tab-Up RJ45

100 Base-TX RJ45 1X1 Tab-Up 8 pin Integrated Magnetics Connector, designed for industrial rated applications and is suitable for reflow solder mounting.

Tape and Reel Specification



Dimensions: given in mm
Unless otherwise specified, all tolerances are ±0.15



PACKING SPECIFICATION:

JXR1-00xxNLT = TAPE and REEL80 parts/reel
JXR1-00x1NL = TUBE25 parts
JXR1-00x5NL = TUBE30 parts

REEL SPECIFICATION in mm

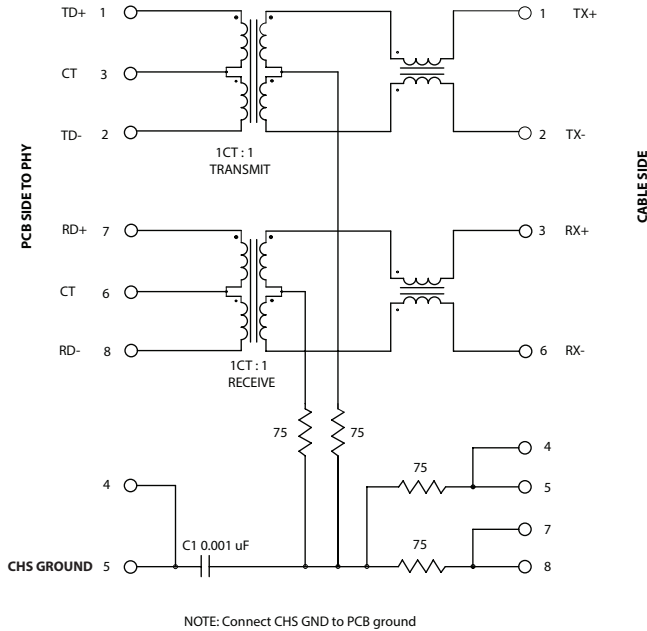
A = Ø 360.0 ±/-2.0 C = Ø 45.4 ±/-1.0 C = Ø 13.1 ±/-0.3
B = Ø 100.0 ±/-0.5 D = Ø 50.4 ±/-1.0 D = Ø 21.0 ±/-0.5

PulseJack™

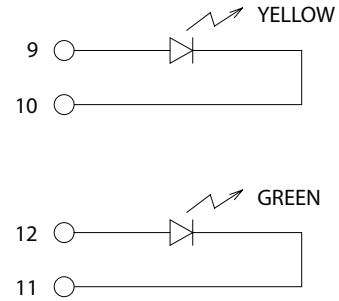
1X1 Tab-Up RJ45

100 Base-TX RJ45 1X1 Tab-Up 8 pin Integrated Magnetics Connector, designed for industrial rated applications and is suitable for reflow solder mounting

Electrical Schematic



LED Specification



Emitted Color	Green	Yellow
Wavelength (nm)	585 nm	2.1 V
Brightness (mCD)	8 to 12 TYP. @ 20mA	8 to 12 TYP. @ 20 mA
Viewing Angle	100°	100°
Power Dissipation (Pd)	68 mW MAX	68 mW MAX
DC Forward Current	25 mA MAX	30 mA MAX
Reverse Voltage (Vr)	5.0 V MAX	5.0 V MAX

For More Information:

Americas - prodinfo@networkamericas@pulseelectronics.com | Europe - comms-Apps-Europe@pulseelectronics.com | Asia - prodinfo@networkapac@pulseelectronics.com

Performance warranty of products offered on this data sheet is limited to the parameters specified. Data is subject to change without notice. Other brand and product names mentioned herein may be trademarks or registered trademarks of their respective owners. © Copyright, 2019. Pulse Electronics, Inc. All rights reserved.

X-ON Electronics

Largest Supplier of Electrical and Electronic Components

Click to view similar products for [Modular Connectors](#) / [Ethernet Connectors](#) category:

Click to view products by [Pulse manufacturer](#):

Other Similar products are found below :

[8949-H88/06BLKA/SN](#) [74441-0010/BKN](#) [PHP-6P6C-5](#) [GAX-3-66](#) [GAX-8-62](#) [GDCX-PN-66](#) [GLX-A-44](#) [GLX-N-1010M-BLK](#) [GMX-SMT4-N-88](#) [GSGX-N-2-88](#) [GSGX-N-4-88](#) [GSX-NS2-88-3.05](#) [GSX-NS-88-3.68](#) [PT-108A-8C-UL](#) [PTS-J531-8CS-50UL](#) [A-2014-0-4](#)
[GWLX-S9-88-YG](#) [DC-1021-8-WH-6](#) [1300530003](#) [1324640-4](#) [RJ11FTVC2G](#) [RJ11FTVC2N](#) [RJFTVX2SA1G](#) [132764-001](#) [1413235](#)
[MPS88RX-5000](#) [E5288-S000K3-L](#) [155302-001](#) [AX101050](#) [AX101063](#) [AX101065](#) [AX101072](#) [AX101307](#) [AX101315](#) [AX101318](#)
[AX102271](#) [AX102288](#) [AX102651](#) [AX102660](#) [J0012D21NL](#) [J0026D01ENL](#) [PC4D0018P](#) [8949-B88/6](#) [2-6609208-5](#) [937-SP-3088-2PC-A192](#)
[303066VFL](#) [303068V](#) [303088LFLSA](#) [303088SBL](#) [30-8603](#)