









# SMT Power Inductor

High Current Molded Power Inductor - PA4344.XXXNLT Series



-  **Height:** 7.0mm Max
-  **Footprint:** 17.7mm x 17.2mm Max
-  **Current Rating:** up to 52.0A
-  **Inductance Range:** 1.0uH to 100uH
-  Shielded construction and compact design
-  High current, low DCR, and high efficiency
-  Minimized acoustic noise and minimized leakage flux
-  200Vdc Isolation between terminal and core

Electrical Specifications @ 25°C - Operating Temperature -40°C to +125°C

Part Number	Inductance 100KHz, 1V uH±20%	Rated Current A	DC Resistance		Saturation Current 1 Max. A	Saturation Current 2 Max. A
			MAX.	TYP.		
			mΩ	mΩ		
PA4344.102NLT	1.0	52.0	2.0	1.6	60.0	70.0
PA4344.132NLT	1.3	49.0	2.3	1.7	54.0	67.0
PA4344.152NLT	1.5	47.0	2.5	2.0	52.0	65.0
PA4344.222NLT	2.2	43.5	2.7	2.4	46.0	62.0
PA4344.332NLT	3.3	28.0	3.9	3.5	45.0	54.0
PA4344.472NLT	4.7	25.0	5.5	4.8	41.0	50.0
PA4344.562NLT	5.6	21.0	7.05	5.8	40.0	45.0
PA4344.682NLT	6.8	19.0	9.2	8.4	32.0	39.0
PA4344.822NLT	8.2	18.0	10.8	9.6	25.0	31.0
PA4344.103NLT	10.0	16.5	13.0	11.8	24.0	29.0
PA4344.153NLT	15.0	12.5	20.5	17.8	23.0	27.0
PA4344.223NLT	22.0	12.0	26.5	25.1	18.0	23.0
PA4344.333NLT	33.0	10.7	44.0	38.0	15.0	20.0
PA4344.393NLT	39.0	9.2	48.0	40.0	11.0	18.0
PA4344.473NLT	47.0	8.7	55.0	48.0	9.5	16.0
PA4344.563NLT	56.0	7.8	62.0	54.0	9.0	15.0
PA4344.683NLT	68.0	7.0	80.0	68.0	8.0	13.0
PA4344.104NLT	100	5.3	118.0	102.0	6.5	12

USA 858 674 8100

Germany 49 2354 777 100

Singapore 65 6287 8998

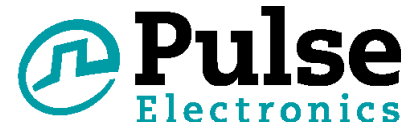
Shanghai 86 21 62787060

China 86 755 33966678

Taiwan 886 3 4356768

# SMT Power Inductor

High Current Molded Power Inductor - PA4344.XXXNLT Series

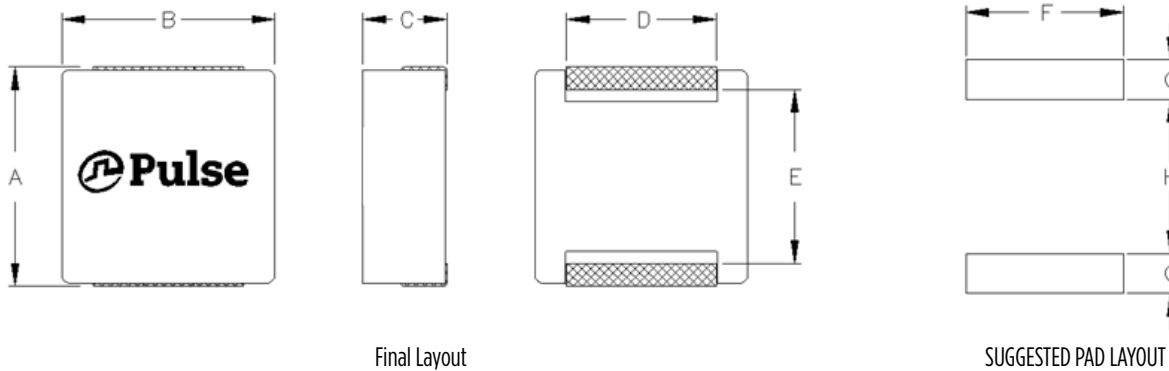


## Notes:

1. Actual temperature of the component during system operation (ambient plus temperature rise) must be within the standard operating range.
2. The saturation current 1 is the current at which the initial inductance drops approximately 30% at the stated ambient temperature. This current is determined by placing the component in the specified ambient environment and applying a short duration pulse current (to eliminate self-heating effect) to the component.
3. The saturation current 2 is the current at which the initial inductance drops approximately 40% at the stated ambient temperature. This current is determined by placing the component in the specified ambient environment and applying a short duration pulse current (to eliminate self-heating effect) to the component.
4. The rated current is the DC current required to raise the component temperature by approximately 40 °C. Take note that the components' performance varies depending on the system condition. It is suggested that the component be tested at the system level, to verify the temperature rise of the component during system operation.
5. The part temperature (ambient+temp rise) should not exceed 125 °C under worst case operating conditions. Circuit design, PCB trace size and thickness, airflow and other cooling provisions all affect the part temperature. Part temperature should be verified in the end application.

## Mechanical

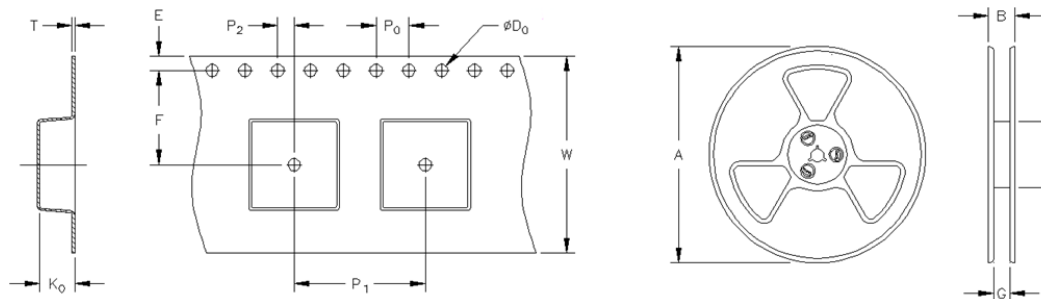
### PA4344.XXXNLT



Series	A	B	C	D	E	F	G	H
PA4344.XXXNLT	17.7 Max	17.2 Max	7.0 Max	(11.9)	(13.1)	(12.5)	(3.15)	(12.2)

All Dimensions in mm.

## TAPE & REEL INFO

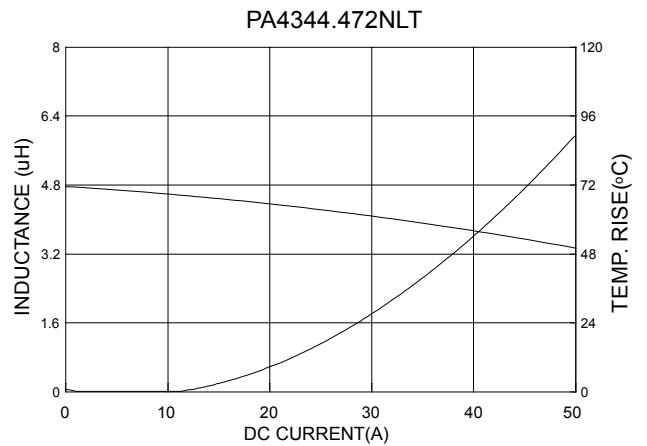
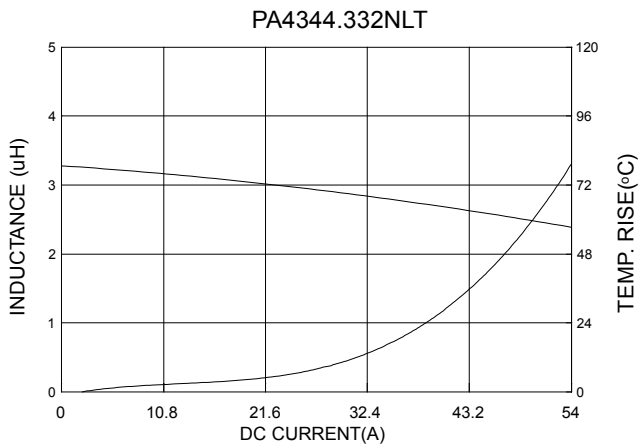
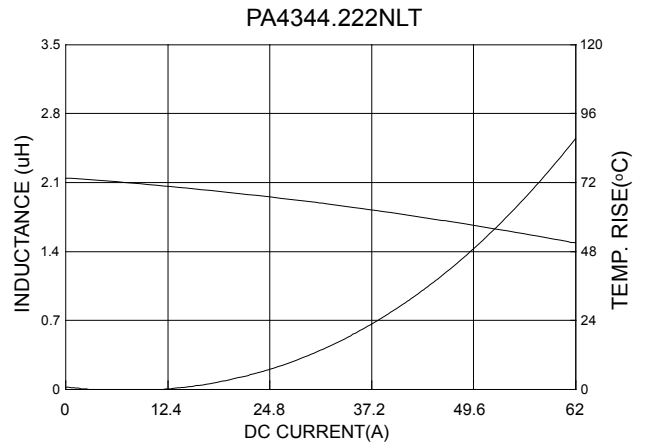
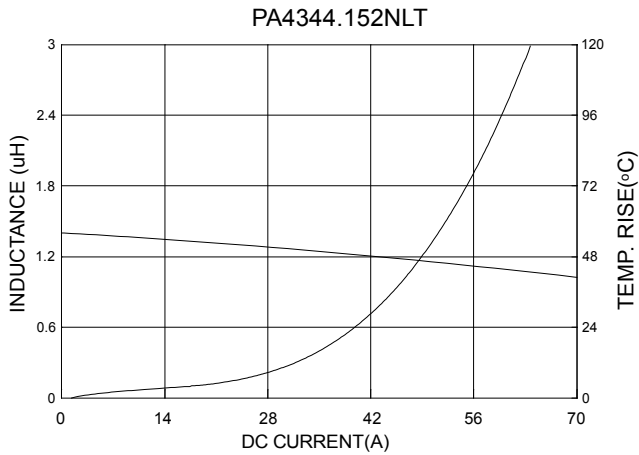
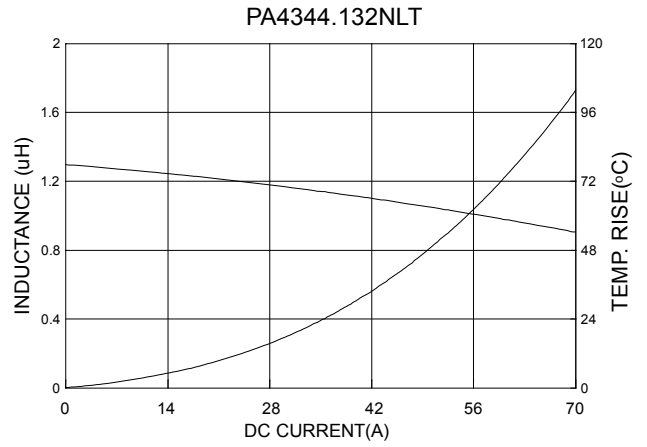
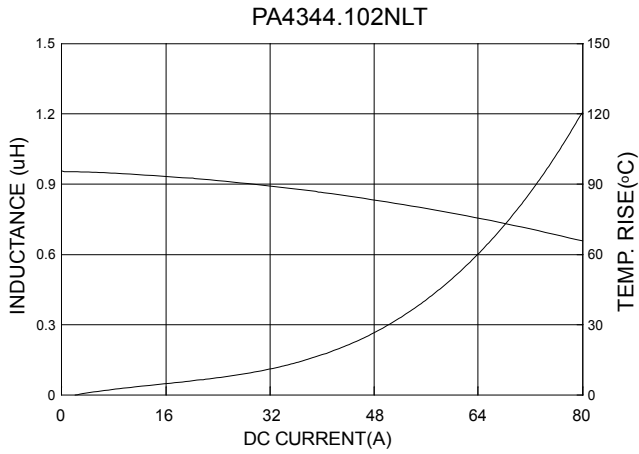


## SURFACE MOUNTING TYPE, REEL/TAPE LIST

	REEL SIZE (mm)				TAPE SIZE (mm)								QTY	
	A	B	G	N	E	F	D <sub>0</sub>	P <sub>1</sub>	P <sub>0</sub>	P <sub>2</sub>	W	T	K <sub>0</sub>	PCS/REEL
PA4344.XXXNLT	Ø330	N/A	32	100	1.75	14.2	1.5	24	4	2	32	0.5	7.5	300

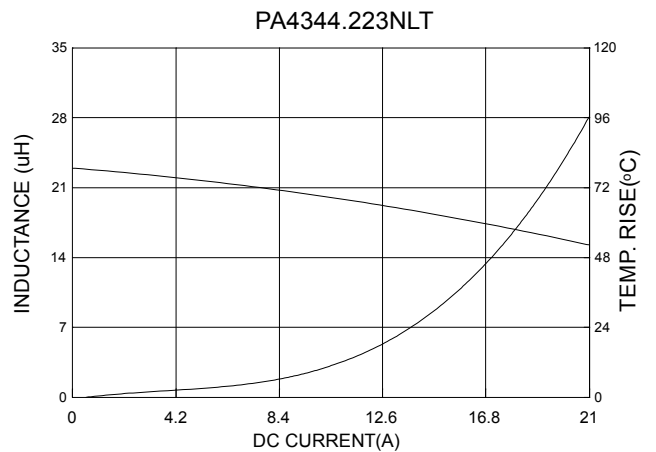
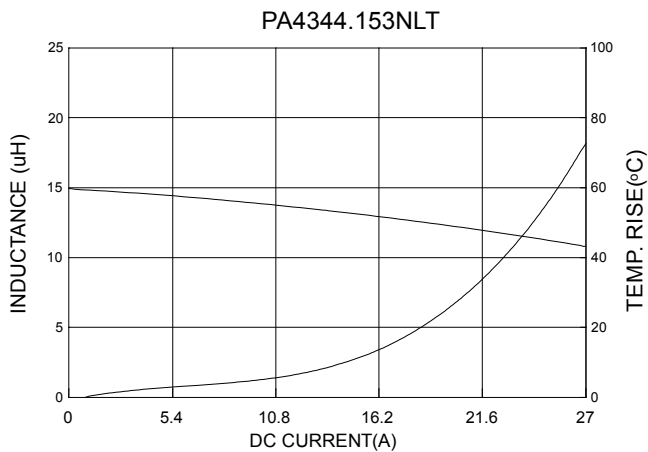
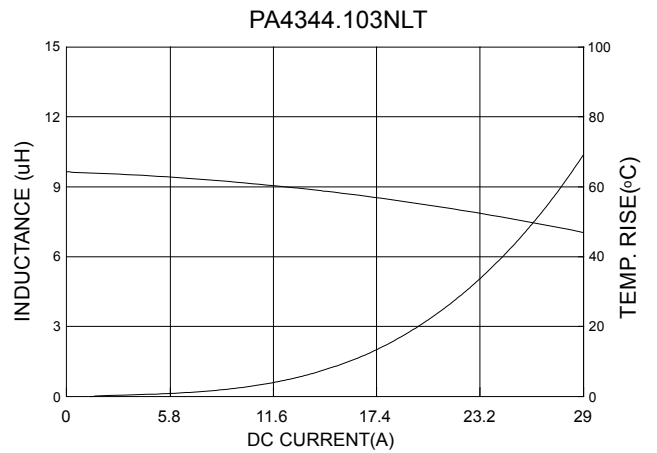
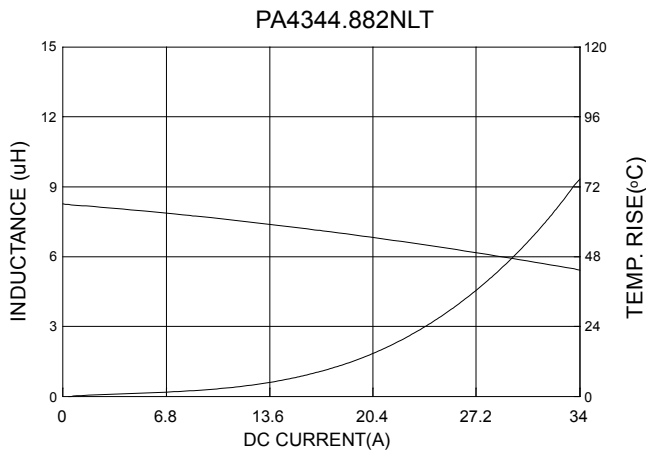
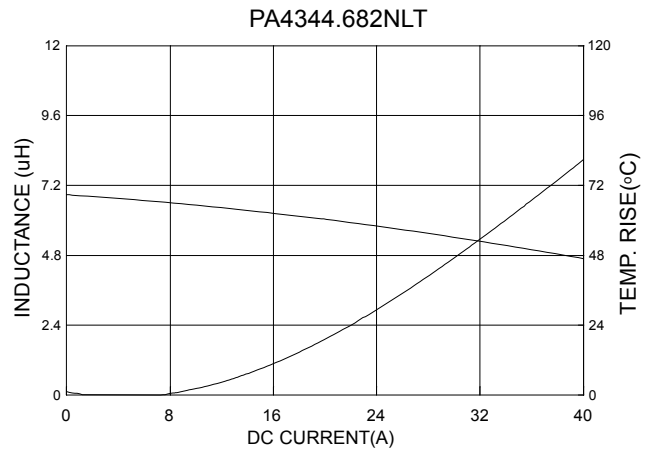
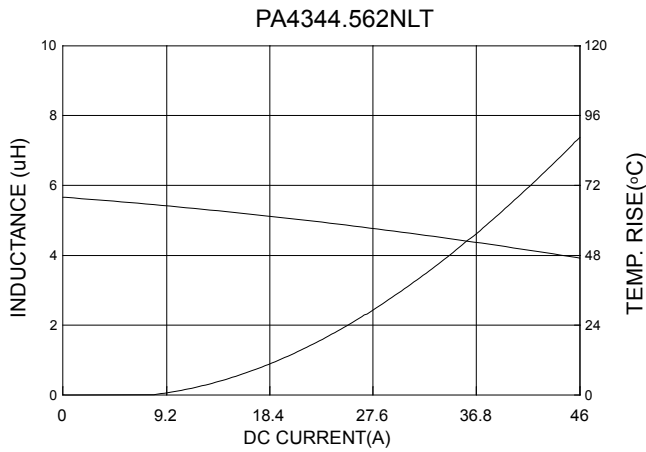
# SMT Power Inductor

High Current Molded Power Inductor - PA4344.XXXNLT Series



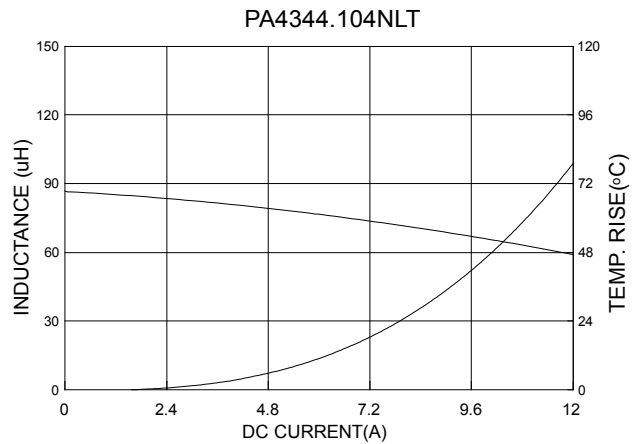
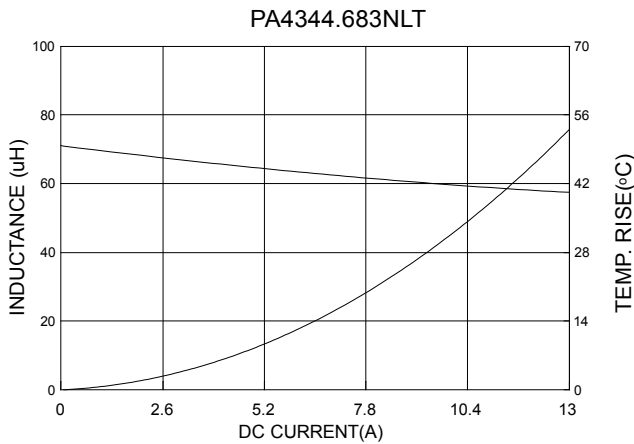
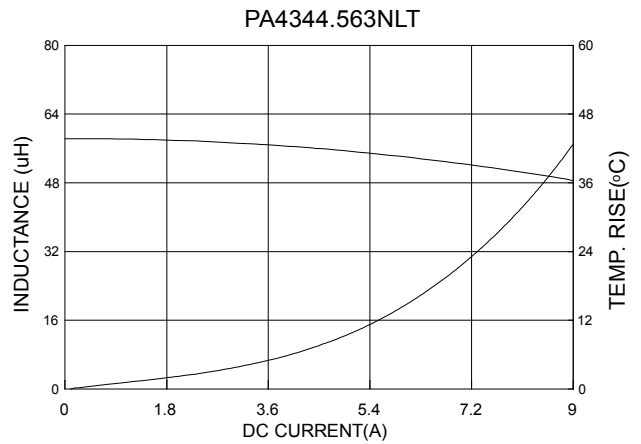
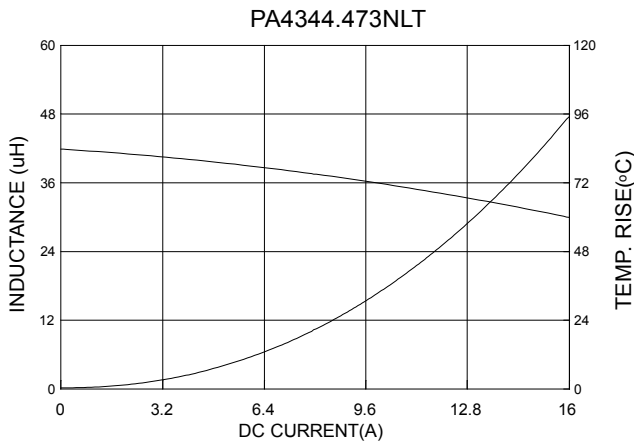
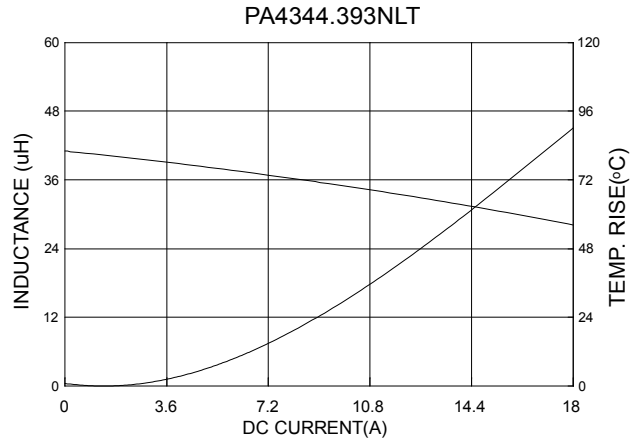
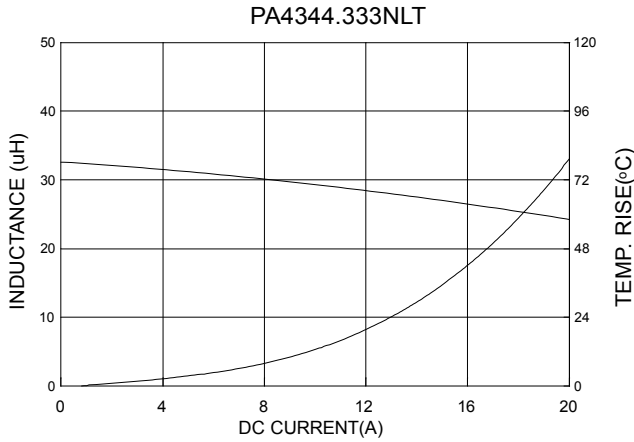
# SMT Power Inductor

High Current Molded Power Inductor - PA4344.XXXNLT Series



# SMT Power Inductor

High Current Molded Power Inductor - PA4344.XXXNLT Series



# SMT Power Inductor

High Current Molded Power Inductor - PA4344.XXXNLT Series

---

## For More Information

### Pulse Worldwide Headquarters

15255 Innovation Drive Ste 100  
San Diego, CA 92128  
U.S.A.

Tel: 858 674 8100  
Fax: 858 674 8262

### Pulse Europe

Pulse Electronics GmbH  
Am Rottland 12  
58540 Meinerzhagen  
Germany

Tel: 49 2354 777 100  
Fax: 49 2354 777 168

### Pulse China Headquarters

B402, Shenzhen Academy of  
Aerospace Technology Bldg.  
10th Kejinan Road  
High-Tech Zone  
Nanshan District  
Shenzhen, PR China 518057

Tel: 86 755 33966678  
Fax: 86 755 33966700

### Pulse North China

Room 2704/2705  
Super Ocean Finance Ctr.  
2067 Yan An Road West  
Shanghai 200336  
China

Tel: 86 21 62787060  
Fax: 86 2162786973

### Pulse South Asia

135 Joo Seng Road  
#03-02  
PM Industrial Bldg.  
Singapore 368363

Tel: 65 6287 8998  
Fax: 65 6287 8998

### Pulse North Asia

3F, No. 198  
Zhongyuan Road  
Zhongli City  
Taoyuan County 320  
Taiwan R. O. C.

Tel: 886 3 4356768  
Fax: 886 3 4356823 (Pulse)  
Fax: 886 3 4356820 (FRE)

Performance warranty of products offered on this data sheet is limited to the parameters specified. Data is subject to change without notice. Other brand and product names mentioned herein may be trademarks or registered trademarks of their respective owners. © Copyright, 2017. Pulse Electronics, Inc. All rights reserved.

## X-ON Electronics

Largest Supplier of Electrical and Electronic Components

*Click to view similar products for [Pulse manufacturer](#):*

Other Similar products are found below :

[ICEFIN806DMN](#) [ICEFIN698/869DMN](#) [PH9085.011NL](#) [PE-0603CD060KTT](#) [H1086NLT](#) [P0182T](#) [PA1494.442NL](#) [PE-0805CD030KTT](#) [PE-53363NLT](#) [23Z106SM-T](#) [HX5400NL](#) [JXD0-4005NL](#) [ST6200QNL](#) [T3001NL](#) [HX2019](#) [PE-67540NL](#) [PE-65968NL](#) [PE-65535NL](#) [T1142NLT](#) [H7019FNL](#) [P0841NL](#) [P0438T](#) [P0584](#) [P0752.474T](#) [P1167.154T](#) [STQN1553-45](#) [JY0-0016NL](#) [JG0-0098NL](#) [JG0-0025NL](#) [J20-0014NL](#) [W1911](#) [HX6101NL](#) [JXD1-0025NL](#) [RO2408NMD](#) [P0469NL](#) [P0841SNLT](#) [PB2134NL](#) [ST2-12B42](#) [PE-0805CM331JTT](#) [PE-51509NL](#) [53119](#) [J3026G01DNL](#) [P0849SNL](#) [W3012-K](#) [HX5020NL](#) [HX5201NL](#) [PE-68210NL](#) [T1124NL](#) [H5004NL](#) [JX30-0005NL](#)