

SMT Flyback Transformers

For National's 100kHz Simple Switcher™



- Designed for use with National's device numbers LM2585/86 and LM2587/88
- Performance verified by National Semiconductor

Electrical Specifications @ 25°C - Operating Temperature -40°C to +130°C

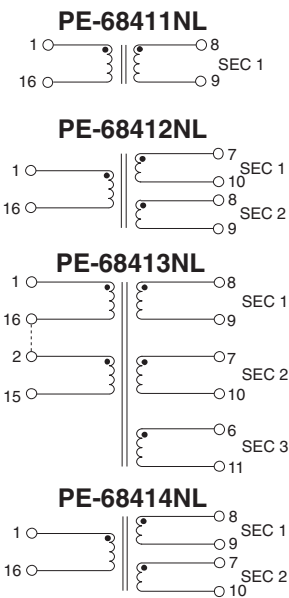
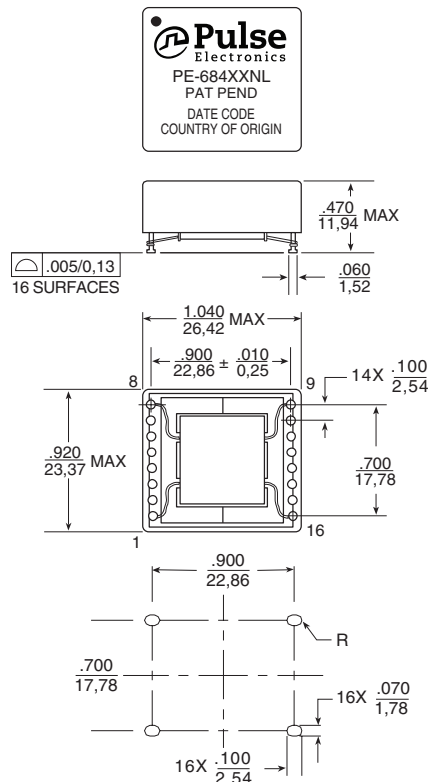
Part Number	LP (H NOM)	I _{IN} (H NOM)	V _{IN} (V _{DC})	V _{OUT 1} (V _{DC})	V _{OUT 2} (V _{DC})	V _{OUT 3} (V _{DC})	I _{OUT 1}	I _{OUT 2}	I _{OUT 3}	Turns Ratio	DCR Primary (MAX)	DCR Sec 1 (Ω MAX)	DCR Sec 2 (Ω MAX)	DCR Sec 3 (Ω MAX)
PE-68411NL	22	4.85	4-6	3.3	—	—	1.8	—	—	1:1	0.04	0.04	—	—
			4-6	5	—	—	1.4	—	—					
			8-16	12	—	—	1.2	—	—					
PE-68412NL	22	5.00	4-6	12	-12	—	0.3	0.3	—	1:2.5:2.5	0.04	0.5	0.5	—
PE-68413NL	66	2.99	18-36	5	12	-12	1.8	0.25	0.25	1:0.5:1.15:1.15	0.03	0.80	0.80	0.80
PE-68414NL	65	2.98	18-36	12	-12	—	0.63	0.63	—	1:1.2:1.2	0.25	0.25	0.25	—
PE-68421NL	85	4.90	18-36	12	-12	—	1	1	—	1:0.8:0.8	0.22	0.22	0.22	—
PE-68422NL	85	4.92	18-36	5	12	-12	2.5	0.5	0.5	1:0.35:0.8:0.8	0.025	0.25	0.25	0.25

Notes: Simple Switcher™ is a trademark of National Semiconductor Corporation

Mechanical

Schematic

PE-68411NL, PE-68412NL, PE-68413NL, PE68414NL



Dimensions: Inches / mm

Unless otherwise specified, all tolerances are ± .010 / 0.25

USA 858 674 8100

Germany 49 7032 7806 0

Singapore 65 6287 8998

Shanghai 86 21 62787060

China 86 755 33966678

Taiwan 886 3 4356768

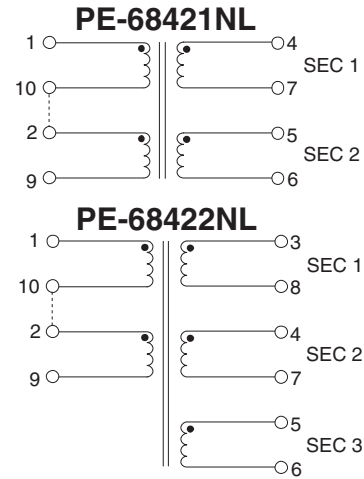
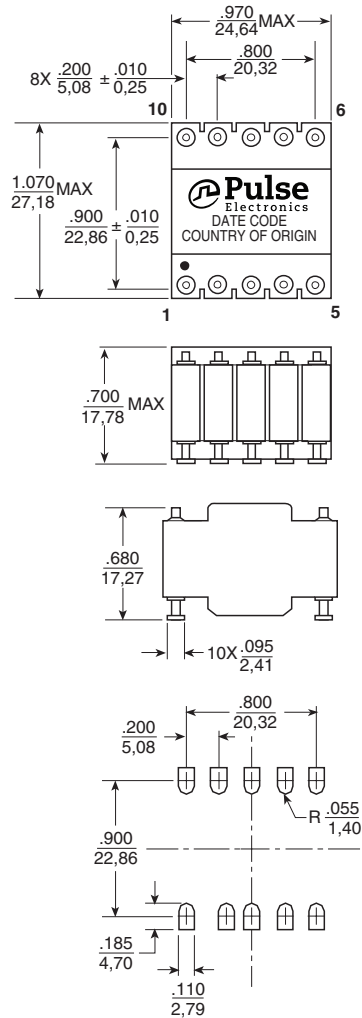
SMT Flyback Transformers

For National's 100kHz Simple Switcher™

Mechanical (continued)

Schematic

PE-68421NL, PE-68422NL



Dimensions: $\frac{\text{Inches}}{\text{mm}}$

Unless otherwise specified, all tolerances are $\pm \frac{.010}{0,25}$

For More Information

Pulse Worldwide Headquarters
12220 World Trade Drive
San Diego, CA
92128
U.S.A.

Pulse Europe
Einsteinstrasse 1
D-71083 Herrenberg
Germany

Pulse China Headquarters
B402, Shenzhen Academy of
Aerospace Technol-
ogy Bldg.
10th Kejinan Road
High-Tech Zone
Nanshan District
Shenzhen, PR China
518057
Tel: 86 755 33966678
Fax: 86 755 33966700

Pulse North China
Room 2704/2705
Super Ocean Finance
Ctr.
2067 Yan An Road
West
Shanghai 200336
China
Tel: 86 21 62787060
Fax: 86 2162786973

Pulse South Asia
135 Joo Seng Road
#03-02
PM Industrial Bldg.
Singapore 368363
Tel: 65 6287 8998
Fax: 65 6287 8998

Pulse North Asia
3F, No. 198
Zhongyuan Road
Zhongli City
Taoyuan County 320
Taiwan R. O. C.
Tel: 886 3 4356768
Fax: 886 3 4356823 (Pulse)
Fax: 886 3 4356820 (FRE)

Performance warranty of products offered on this data sheet is limited to the parameters specified. Data is subject to change without notice. Other brand and product names mentioned herein may be trademarks or registered trademarks of their respective owners. © Copyright, 2015. Pulse Electronics, Inc. All rights reserved.

X-ON Electronics

Largest Supplier of Electrical and Electronic Components

Click to view similar products for [Power Transformers](#) category:

Click to view products by [Pulse manufacturer](#):

Other Similar products are found below :

[1-1672275-3](#) [A41-43-20A20](#) [DST5-120B39](#) [14A-56-36B42](#) [EN2997SE61808F8](#) [9-1611461-2](#) [29768](#) [1654308-1](#) [170R](#) [ST2-12B42](#) [ST3-12B5](#) [ST6118T-R](#) [PE-68421NL](#) [PL2.5-12-130B-C](#) [PoE4W3x5.0-R](#) [POE7W3X3.3-R](#) [4000-20C02K999](#) [4001-09W15AE777](#) [48RO-5000G-SIL](#) [TRA-0130-R](#) [XON7-15/2](#) [47045010](#) [1-1611760-0](#) [EN2997SE61808F9](#) [OPT110F-EAS00004AU](#) [XON25-9/24](#) [XON01349](#) [XON01200](#) [XDCA001/INER01](#) [PE-68414NL](#) [F-91X](#) [F-29U](#) [DST4-16B10](#) [P-8577](#) [T50-24M3](#) [1-1672277-2](#) [1-1672277-0](#) [1-1672275-5](#) [1-1672275-0](#) [PC-24-180B18](#) [750315837](#) [750315125](#) [POE13W2VERS-R](#) [PA2380NL](#) [14A-10-12B9](#) [PE-68411NL](#) [750315126](#) [DPC-28-160B50](#) [PA0803NL](#) [750315836](#)