

# SMT Power Inductors

Unshielded Drum Core - PF0382NL Series



- Height:** 11.3mm Max
- Footprint:** 13.0mm x 9.4mm Max
- Current Rating:** up to 4.9A
- Inductance Range:** 10H to 1000H
- RoHS compliant version available on request

## Electrical Specifications @ 25°C - Operating Temperature -40°C to +125°C<sup>7</sup>

Part <sup>5,6</sup> Number	Inductance <sup>1</sup> @ Irated (μH TYP)	Irated <sup>2</sup> (A)	DCR (mΩ MAX)	Inductance @ 0A <sub>DC</sub> (μH ±20%)	Saturation <sup>3</sup> Current I <sub>sat</sub> (A)	Heating <sup>4</sup> Current I <sub>DC</sub> (A)
PF0382.103NL *	9	4.90	24	10	8.30	4.90
PF0382.153NL *	14	4.20	31	15	7.10	4.20
PF0382.223NL	20	3.50	47	22	5.60	3.50
PF0382.333NL *	30	3.10	65	33	4.30	3.10
PF0382.473NL *	42	2.70	90	47	3.80	2.70
PF0382.683NL	61	1.90	130	68	3.10	1.90
PF0382.104NL *	90	1.50	200	100	2.60	1.50
PF0382.154NL *	140	1.20	280	150	2.10	1.20
PF0382.224NL	200	1.10	360	220	1.70	1.10
PF0382.334NL *	297	0.80	580	330	1.35	0.80
PF0382.474NL *	423	0.60	860	470	1.15	0.60
PF0382.684NL *	612	0.50	1200	680	1.05	0.50
PF0382.105NL *	900	0.20	2000	1000	0.85	0.20

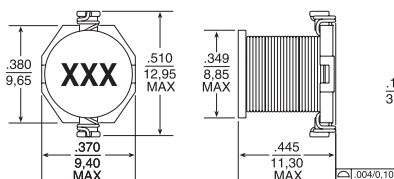
### Notes:

- Inductance at Irated is a typical inductance value measured when the inductor is subjected to the rated current.
  - The rated current as listed is either the saturation current at 25°C or the heating current, depending on which value is lower.
  - The saturation current Isat is the current which causes the inductance to drop by 10% (typical) at an ambient temperature of 25°C. This current is determined by placing the component in the specified ambient environment and applying a short duration pulse current (to eliminate self-heating effects) to the component.
  - The heating current IDC is the DC current, which causes the temperature rise of the part to increase by the approximately 40°C. This current is determined by mounting the component on a typical application PCB and applying the current to the device for 30 minutes.
  - Optional Tape & Reel packaging can be ordered by adding a "T" suffix to the part number (i.e. PF0382.103NL becomes PF0382.103NLT). Pulse complies to industry standard tape and reel specification EIA481.
  - The "NL" suffix indicates an RoHS-compliant part number. Non-NL suffixed parts are not necessarily RoHS compliant, but are electrically and mechanically equivalent to NL versions. If a part number does not have the "NL" suffix, but an RoHS compliant version is required, please contact Pulse for availability.
  - The temperature of the component (ambient plus temperature rise) must be within the stated operating temperature range.
- \* Contact Pulse for availability

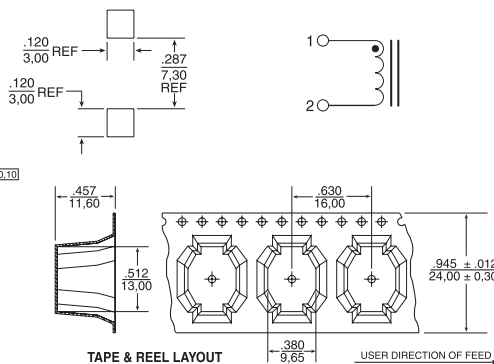
### Mechanical

### Schematic

#### PF0382.XXXNL



#### SUGGESTED PAD LAYOUT



# SMT Power Inductors

Unshielded Drum Core - PF0382NL Series



---

## For More Information

### Pulse Worldwide Headquarters

15255 Innovation Drive Ste 100  
San Diego, CA 92128  
U.S.A.

Tel: 858 674 8100  
Fax: 858 674 8262

### Pulse Europe

Pulse Electronics GmbH  
Am Rottland 12  
58540 Meinerzhagen  
Germany

Tel: 49 2354 777 100  
Fax: 49 2354 777 168

### Pulse China Headquarters

Pulse Electronics (ShenZhen) CO., LTD  
D708, Shenzhen Academy of  
Aerospace Technology,  
The 10th Keji South Road,  
Nanshan District, Shenzhen,  
P.R. China 518057

Tel: 86 755 33966678  
Fax: 86 755 33966700

### Pulse North China

Room 2704/2705  
Super Ocean Finance Ctr.  
2067 Yan An Road West  
Shanghai 200336  
China

Tel: 86 21 62787060  
Fax: 86 2162786973

### Pulse South Asia

3 Fraser Street 0428  
DUO Tower  
Singapore 189352

Tel: 65 6287 8998  
Fax: 65 6280 0080

### Pulse North Asia

1F., No.111 Xiyuan Road  
Zhongli District  
Taoyuan City 32057  
Taiwan (R.O.C)

Tel: 886 3 4356768  
Fax: 886 3 4356820

Performance warranty of products offered on this data sheet is limited to the parameters specified. Data is subject to change without notice. Other brand and product names mentioned herein may be trademarks or registered trademarks of their respective owners. © Copyright, 2019. Pulse Electronics, Inc. All rights reserved.

## X-ON Electronics

Largest Supplier of Electrical and Electronic Components

*Click to view similar products for [Fixed Inductors](#) category:*

*Click to view products by [Pulse manufacturer](#):*

Other Similar products are found below :

[CR43NP-680KC](#) [CR54NP-820KC](#) [CR54NP-8R5MC](#) [CTX32CT-100](#) [70F224AI](#) [MGDQ4-00004-P](#) [MHL1ECTTP18NJ](#) [MHL1JCTTD12NJ](#)  
[PE-51506NL](#) [PE-53601NL](#) [PE-53602NL](#) [PE-53630NL](#) [PE-53824SNLT](#) [PE-62892NL](#) [PE-92100NL](#) [PG0434.801NLT](#) [PG0936.113NLT](#)  
[9310-16](#) [PM06-2N7](#) [PM06-39NJ](#) [A01TK](#) [1206CS-471XJ](#) [HC2-2R2TR](#) [HC2LP-R47-R](#) [HC3-2R2-R](#) [1206CS-151XG](#) [RCH664NP-140L](#)  
[RCH664NP-4R7M](#) [RCH8011NP-221L](#) [RCP1317NP-332L](#) [RCP1317NP-391L](#) [RCR1010NP-470M](#) [RCR110DNP-331L](#) [DH2280-4R7M](#)  
[DS1608C-106](#) [ASPI-4020HI-R10M-T](#) [B10TJ](#) [B82477P4333M](#) [B82498B3101J000](#) [B82498B3680J000](#) [ELJ-RE27NJF2](#) [1812CS-153XJ](#)  
[1812CS-183XJ](#) [1812CS-223XJ](#) [1812LS-104XJ](#) [1812LS-105XJ](#) [1812LS-124XJ](#) [1812LS-154XJ](#) [1812LS-223XJ](#) [1812LS-224XJ](#)