

# SMT Current Sense Transformer

PH9505.XXXNL EP10 SMD Platform



- Insulation:** Reinforced, 6.5mm creepage
- Isolation:** 3000Vrms
- Height:** 14.4mm Max
- Footprint:** 13.6mm x 12.8mm Max
- Current Rating:** up to 30A
- Operating Frequency:** Greater than 20kHz

## Electrical Specifications @ 25°C — Operating Temperature -40°C to +150°C

Part # Part Number	Turns Ratio ±2.0%	Current <sup>2</sup> Rating (A)	Secondary Inductance (mH Min)	DCR (mΩ Max)		Hipot (VAC)
				Primary (1*-2)	Secondary (5*-4)	
PH9505.050NLT	1:50	30	1.7	0.5	1500	3000
PH9505.070NLT	1:70	30	3.0	0.5	2100	3000
PH9505.100NLT	1:100	30	7.0	0.5	3100	3000
PH9505.125NLT	1:125	30	11	0.5	4000	3000
PH9505.180NLT	1:180	30	25	0.5	9000	3000

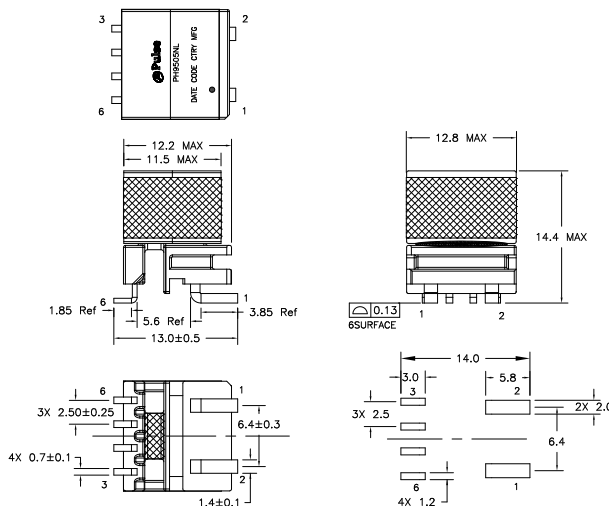
### NOTES:

- The temperature of component (ambient temperature plus temperature rise) must be within the specified operating temperature range.
- The maximum current rating is based upon temperature rise of the component and represents the DC current which will cause a typical temperature rise of 40°C.
- To calculate value of terminating resistor (Rt) use the following formula:  

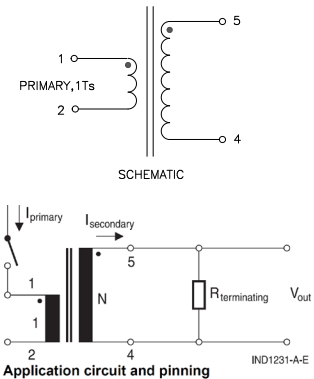
$$R_t (W) = V_{REF} * N / (I_{peak\_primary})$$
- The peak flux density of the device must remain below 2200 Gauss. To calculate the peak flux density for uni-polar current use following formula:  

$$B_{pk} = 8.85 * V_{REF} * (Duty\_Cycle\_Max) * 10^5 / (N * Freq\_kHz)$$
 \*for bi-polar current applications divide Bpk (as calculated above) by 2.
- This design complies with basic insulation according to EC60664/ IEC60590-1/IEC61558-1/-2-16 for a working voltage up to 500Vrms and with reinforced insulation according to IEC60664/IEC60950-1 for working voltage up to 300Vrms  
 Application condition: OVC II, Pollution degree 2, Material Group 3, Altitude up to 2km.  
 The actual creepage distance > 6.5mm and the clearance distance >4.5mm between primary and secondary windings. This creepage distance is reduced when the transformer is mounted on the proposed pad layout. Refer to the PCB material group and pollution degree to determine if this reduces the working voltage capability.
- Optional Tape & Reel packaging can be ordered by adding a "T" suffix to the part number (i.e. PH9505.100NLT becomes PH9505.100NLT). Pulse complies to industry standard tape and reel specification EIA481.
- The "NL" suffix indicates an RoHS-compliant part number.

## Mechanical



## Schematic



Weight ..... 4.3 grams  
 Tape & Reel ..... 150/reel

Dimensions: Inches  
 mm

Unless otherwise specified, all tolerances are ± 0.10  
 0,25

# SMT Current Sense Transformer

PH9505.XXXNL EP10 SMD Platform



---

## For More Information

### Pulse Worldwide Headquarters

15255 Innovation Drive Ste 100  
San Diego, CA 92128  
U.S.A.

Tel: 858 674 8100  
Fax: 858 674 8262

### Pulse Europe

Pulse Electronics GmbH  
Am Rottland 12  
58540 Meinerzhagen  
Germany

Tel: 49 2354 777 100  
Fax: 49 2354 777 168

### Pulse China Headquarters

Pulse Electronics (ShenZhen) CO., LTD  
D708, Shenzhen Academy of  
Aerospace Technology,  
The 10th Keji South Road,  
Nanshan District, Shenzhen,  
P.R. China 518057

Tel: 86 755 33966678  
Fax: 86 755 33966700

### Pulse North China

Room 2704/2705  
Super Ocean Finance Ctr.  
2067 Yan An Road West  
Shanghai 200336  
China

Tel: 86 21 62787060  
Fax: 86 2162786973

### Pulse South Asia

3 Fraser Street  
0428 DUO Tower  
Singapore 189352

Tel: 65 6287 8998  
Fax: 65 6280 0080

### Pulse North Asia

1F., No.111 Xiyuan Rd  
Zhongli City  
Taoyuan City 32057  
Taiwan (R.O.C)

Tel: 886 3 4356768  
Fax: 886 3 4356820

Performance warranty of products offered on this data sheet is limited to the parameters specified. Data is subject to change without notice. Other brand and product names mentioned herein may be trademarks or registered trademarks of their respective owners. © Copyright, 2019. Pulse Electronics, Inc. All rights reserved.

## X-ON Electronics

Largest Supplier of Electrical and Electronic Components

*Click to view similar products for [Current Transformers](#) category:*

*Click to view products by [Pulse manufacturer](#):*

Other Similar products are found below :

[L595100](#) [ACST-260](#) [MP3500](#) [L595050](#) [BV EI 304 2089](#) [PACT RCP-4000A-UIRO-PT-D14](#) [PACT RCP-4000A-UIRO-PT-D19](#) [E54CT1L](#)  
[CTD-KIT](#) [44021](#) [44104](#) [44176](#) [44248](#) [45023](#) [45041](#) [45071](#) [PA3828NL](#) [CT16-1-50A/50MA](#) [SPCT 100/60 1200/5A VA 15 CL 0.5](#) [SPCT](#)  
[100/60 1000/5A VA 15 CL 0.5](#) [SPCT 100/60 600/5 A VA 7.5 CL 1](#) [SPCT 100/60 600/5 A VA 5 CL 0.5](#) [SPCT 100/60 800/5 A VA 10 CL 0.5](#)  
[SPCT 140/100 1200/5A VA 15 CL 0.5](#) [SPCT 140/100 1250/5A VA 15 CL 0.5](#) [SPCT 140/100 1500/5A VA 15 CL 0.5](#) [SPCT 140/100 1600/5A](#)  
[VA 15 CL 0.5](#) [SPCT 140/100 1000/5A VA 15 CL 0.5](#) [SPCT 140/100 2500/5A VA 15 CL 0.5](#) [SPCT 140/100 2000/5A VA 15 CL 0.5](#) [SPCT](#)  
[140/100 3000/5A VA 15 CL 0.5](#) [SPCT 140/100 800/5A VA 15 CL 0.5](#) [SPCT 62/30 50/5A VA1 CL 3](#) [SPCT 62/30 60/5A VA1 CL 3](#) [SPCT](#)  
[62/30 75/5A VA1 CL 3](#) [SPCT 62/30 75/5A VA3 CL 3](#) [SPCT 62/40 100/5 A VA 1 CL 1](#) [SPCT 62/40 125/5 A VA 1 CL 1](#) [SPCT 62/40 150/5 A](#)  
[VA 3 CL 1](#) [SPCT 62/40 160/5 A VA 1.5 CL 1](#) [SPCT 62/40 200/5 A VA 2,5 CL 0,5](#) [SPCT 62/40 200/5 A VA 3 CL 1](#) [SPCT 62/40 250/5 A VA](#)  
[3 CL 1](#) [SPCT 62/40 300/5 A VA 3 CL 0.5](#) [SPCT 62/40 400/5 A VA 3.75 CL 0.5](#) [2CSM029000R1211](#) [HPT205NBJ-1](#) [HCT204KFH](#) [HCT20K-](#)  
[QD](#) [HPT205A/F](#)