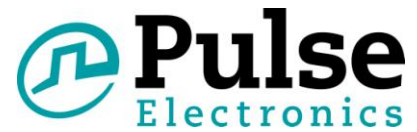


Continuous/Discontinuous Flyback Transformer

Multiple Output Transformer



- Frequency Range: 80 kHz to 250 kHz
- Isolation (Secondary to Primary): 5100 VDC
- Height: 1.36 Inch MAX
- Class F Insulation
- Dual Primary Interleave for lower Leakage Inductance

Electrical Specifications @ 25°C - Operating Temperature -40°C to +155°C

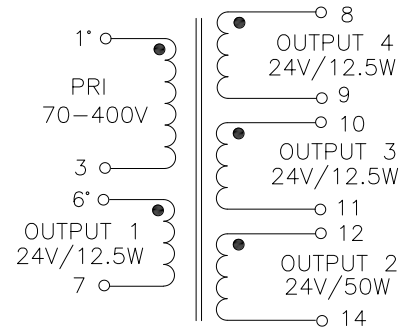
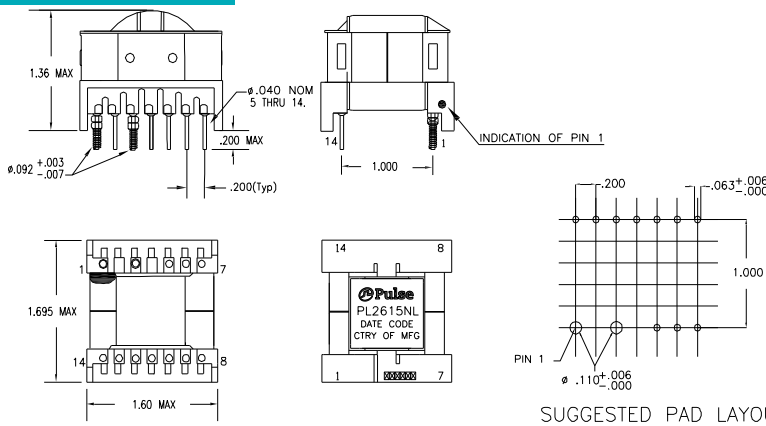
Part Number	Primary Inductance (uH)	Primary Leakage Inductance (uH MAX)	Turns Ratio (Test on Ungapped core)						DCR (mΩ MAX)			Hi-Pot (VDC 6S)		
	(1-3) (-40°C to +125°C)	(1-3)	(1-3) (6-7)	(1-3) (8-9)	(1-3) (10-11)	(1-3) (12-14)	(6-7) (8-9)	(6-7) (10-11)	(6-7) (12-14)	(1-3)	(6-7) (8-9) (10-11)	(12-14)	See note 4	See Note 5
PL2615NL	167 - 203	3.00	7.5	7.5	7.5	7.5	1.0	1.0	1.0	55.0	25.0	3.6	5100.0	2550.0

Notes: 1. ET max 700V-usec. Typical frequency 200 kHz. MSL 1. 2. Part is designed for temperature rise: 45°C MAX. 3. Storage temperature: -55°C to 155°C. 4. Primary to outputs 1, 2, 3 and 4; all windings to core; Output 1 to output 2, 3 and 4; 5. Output 2 to output 3 and 4; Output 3 to output 4.

Mechanical

Schematic

PL2615NL



67W MAX COMBINED TOTAL OUTPUT

Weight87.0 grams
 Tray 15Pcs/tray
 Dimensions: $\frac{\text{Inches}}{\text{mm}}$
 Unless otherwise specified, all tolerances are $\pm \frac{.010}{0.25}$

Between the primary winding and output windings, between the primary windings and core, and between the output 1 winding and output 2 thru 4 windings, this part is designed to comply with spacing (creepage and clearance) and insulation requirements for reinforced insulation up to a working voltage of 400VRMS per IEC60664-1. The part is intended for equipment energized from low voltage mains with rated impulse voltage up to 4000V. Clearances are adjusted for altitude up to 3000 meters. Parts are 100% HIPOT tested in production. All insulating materials meet or exceed flammability classification UL94V-0.

For More Information

Pulse North America Headquarters
 Two Pearl Buck Court
 Bristol, PA 19007
 U.S.A.

Pulse Europe
 Zepplinstrasse 15
 71083 Herrenberg
 Germany

Pulse China Headquarters
 B402, Shenzhen Academy of
 Aerospace Technology Bldg.
 10th Kejianan Road
 High-Tech Zone
 Nanshan District
 Shenzhen, PR China 518057

Pulse North China
 Room 2704/2705
 Super Ocean Finance Ctr.
 2067 Yan An Road West
 Shanghai 200336
 China

Pulse South China
 135 Joo Seng Road
 #03-02
 PM Industrial Bldg
 Singapore 368363

Pulse North Asia
 3F, No 198
 Zhongyuan Road
 Zhongli City
 Taoyuan County 320
 Taiwan R.O.C
 Tel: 886 3 4356768

Tel: 215 781 6400
 Fax: 215 781 6403

Tel: 49 7032 7806 0
 Fax: 49 7032 7806 135

Tel: 86 755 33966678
 Fax: 86 755 33966700

Tel: 86 21 62787060
 Fax: 86 2162786973

Tel: 65 6287 8998
 Fax: 65 6287 8998

Fax: 886 3 4356823 (Pulse)
 Fax: 886 3 4356820 (FRE)

Performance warranty of products offered on this data sheet is limited to the parameters specified. Data is subject to change without notice. Other brand and product names mentioned herein may be trademarks or registered trademarks of their respective owners. © Copyright, 2012. Pulse Electronics, Inc. All rights reserved.

X-ON Electronics

Largest Supplier of Electrical and Electronic Components

Click to view similar products for [Power Transformers](#) category:

Click to view products by [Pulse](#) manufacturer:

Other Similar products are found below :

[ET-030A](#) [F-102X](#) [F-120X](#) [F-14X-1](#) [F-181U](#) [F-18A](#) [F-199U](#) [F-19X](#) [F-202U](#) [F-204U](#) [F-206U](#) [F-227X](#) [F-238U](#) [F-239U-1](#) [F-23U](#) [F24-250-B](#)
[F-242U](#) [F-245U](#) [F-264U](#) [F-265U](#) [F-267U](#) [F-281U](#) [F-283U](#) [F-290X](#) [F-295Z](#) [F-296Z](#) [F-298Z](#) [F-3143P](#) [F-3298Z](#) [F-33U](#) [F-346X](#) [F-35U](#) [F-](#)
[364U](#) [F-392A](#) [F-395X](#) [F-397U](#) [F-412X](#) [F-47U](#) [F-55X-1](#) [F-60U](#) [F-68U](#) [F-71U](#) [F-72Z](#) [F-74U](#) [F-83A](#) [F-84AC](#) [F-85U](#) [F-86U](#) [F-9U](#) [PCT-02](#)