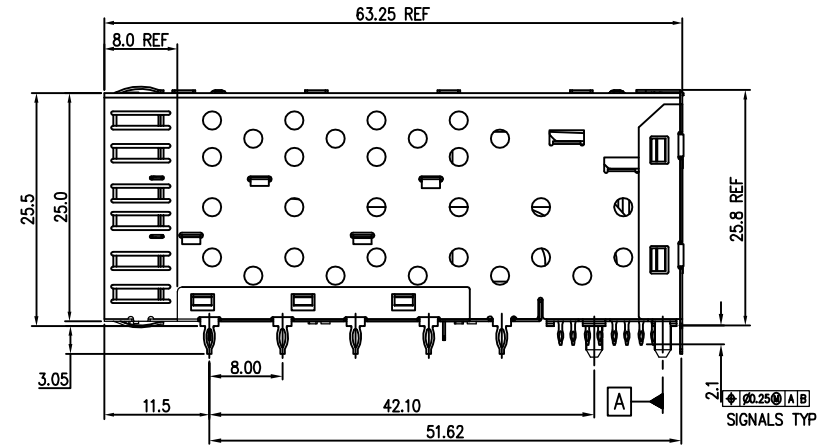
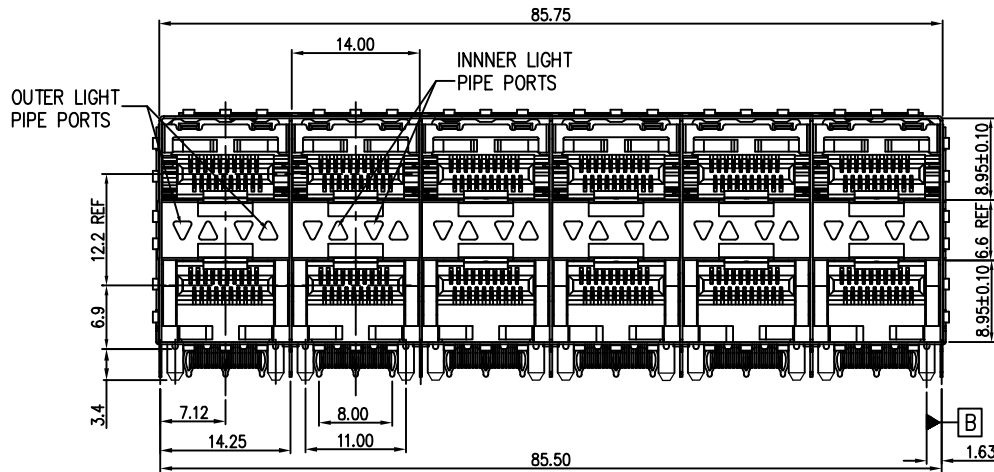


REVISION RECORD		
REV	DESCRIPTION	DRFT
1	ADD NOTE	Jack 9/03/10'
2	(1) CHANGE TO 3 ROW TABS (2) ADD TRACE KEEP OUT AREA&DIMENSION	Jack 9/29/10'
3	MODIFY PLATING SPECIFICATION	Jack 1/27/11'
4	ADD DETAIL VIEW	Jack 1/30/12'
5	CHANGE PLASTIC MATERIAL	Roy 1/14/14'



NOTES:

- MATERIAL:  
CONNECTOR  
HOUSING: GLASS FILLED LIQUID CRYSTAL POLYMER(LCP) UL94V-0. BLACK.  $\Delta$   
TERMINALS: PHOS-BRONZE  $t=0.2\text{mm}$  .  
OVERMOLDED TERMINAL HOUSING: GLASS FILLED LIQUID CRYSTAL POLYMER(LCP) UL94V-0. BLACK.  $\Delta$   
CAGE ASSEMBLY: COPPER-NICKEL-ZINC ALLOY  $t=0.25\text{mm}$ .
- FINISH:  
TERMINAL:  
1)  $50\mu$ " MIN NICKEL PLATING OVER ALL.  
2)  $30\mu$ " MIN GOLD PLATING ON MATING AREA.
- PRESS FIT HOLES:  
CONTACT:  
1) HOLE DIAMETER AFTER PLATING: 0.41-0.51mm.  
2) DRILLED HOLE: 0.535-0.585mm  
CAGE:  
1) HOLE DIAMETER AFTER PLATING: 1.00-1.10mm.  
2) DRILLED HOLE: 1.125-1.175mm.
- RATING:  
1) VOLTAGE: 120V r.m.s  
2) CURRENT RATING: 0.5Amp. MAXIMUM PER INDIVIDUAL CONTACT.  
3) OPERATING TEMPERATURE: -55°C TO 85°C  
4) INSULATION RESISTANCE: 1000 mega-ohms Min.

PART NUMBER	DESCRIPTION	REV	GOLD PLATING
SFP005-03-L	WITH INNER/OUTER LIGHT PIPES, PULSE LAYOUT	F	30 $\mu$ "

MM (INCH)		DFTO Roy	DATE 01/14/2014	Pulse Electronics		RoHS Compliant	
TOLERANCES EXCEPT AS NOTED		CHKD	DATE	TITLE			
MM	±	APPVL	DATE	SFP 2BY 6 CAGE+CONNECTOR_P			
.0 ± 0.20	±	MATERIAL :		DRAWING NO.	CSFP005-03-L	SIZE	REV
.00 ± 0.15	±			/PART NO.	SFP005-03-L	A3	5
.000 ± 0.075	±			DO NOT SCALE DRAWING		SHEET	OF
ANGLES ± 0.5°		QTY :				1	4
THIRD ANGLE PROJECTION		FINISH :					
		SCALE : 1:1					

8

7

6

5

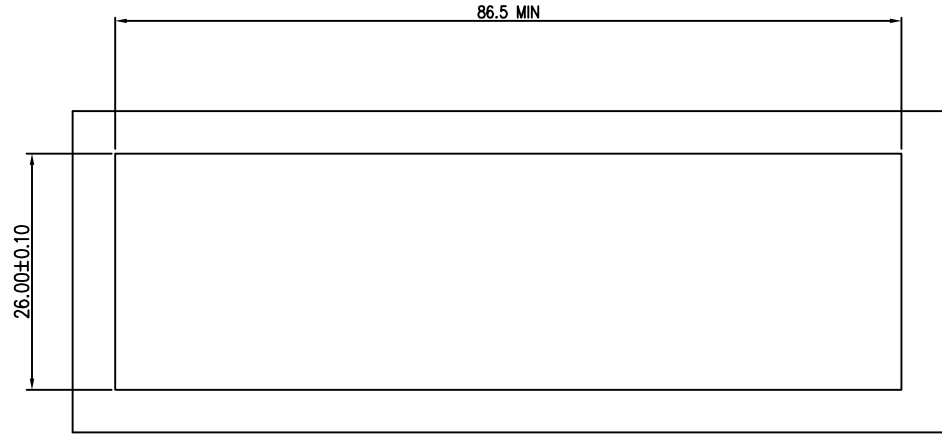
4

3

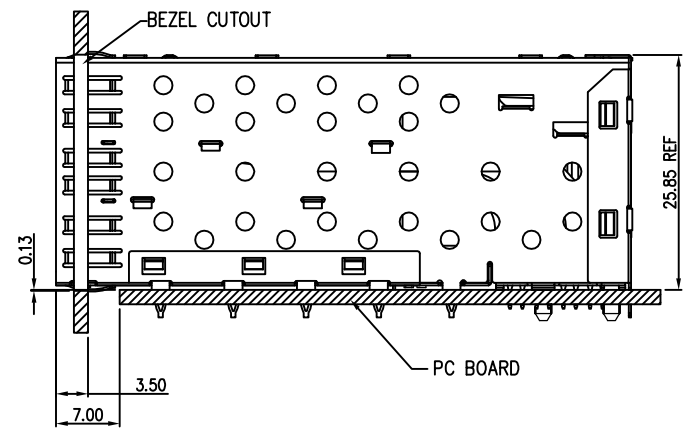
2

1

REVISION RECORD		
REV	DESCRIPTION	DRFT
1	ADD NOTE	Jack 9/03/10'
2	(1) CHANGE TO 3 ROW TABS (2) ADD TRACE KEEP OUT AREA&DIMENSION	Jack 9/29/10'
3	MODIFY PLATING SPECIFICATION	Jack 1/27/11'
4	ADD DETAIL VIEW	Jack 1/30/12'
5	CHANGE PLASTIC MATERIAL	Roy 1/14/14'

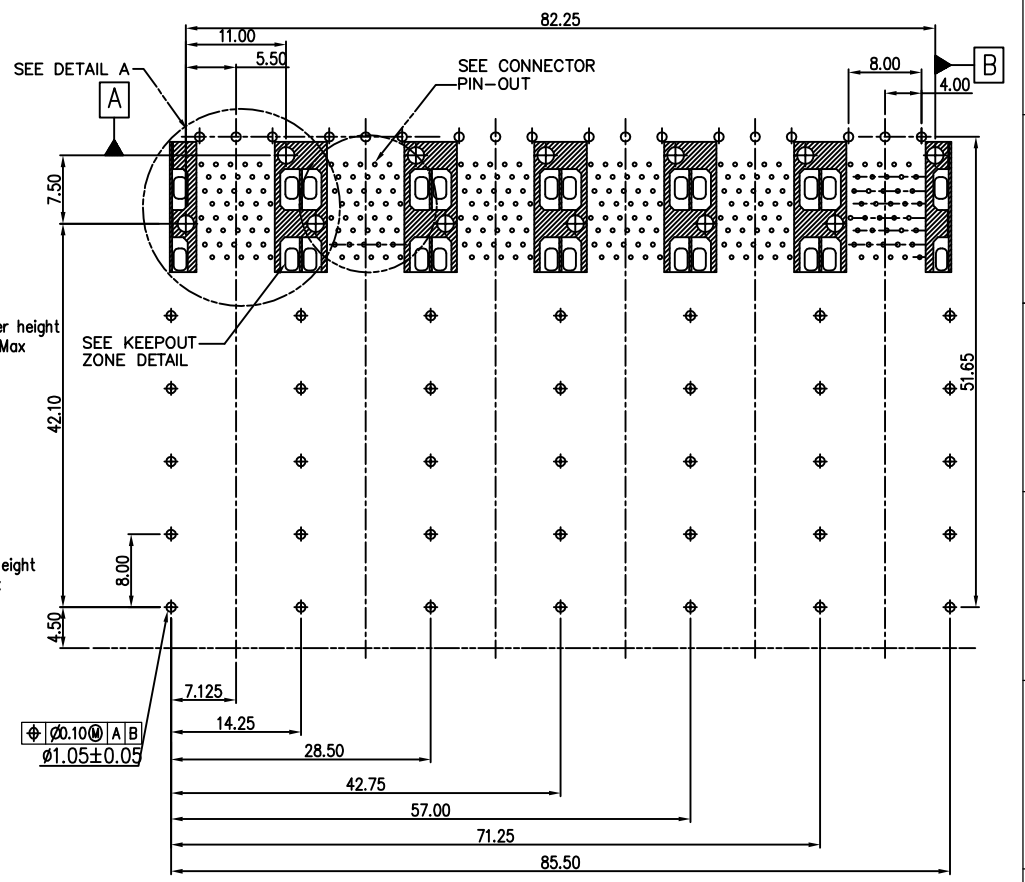
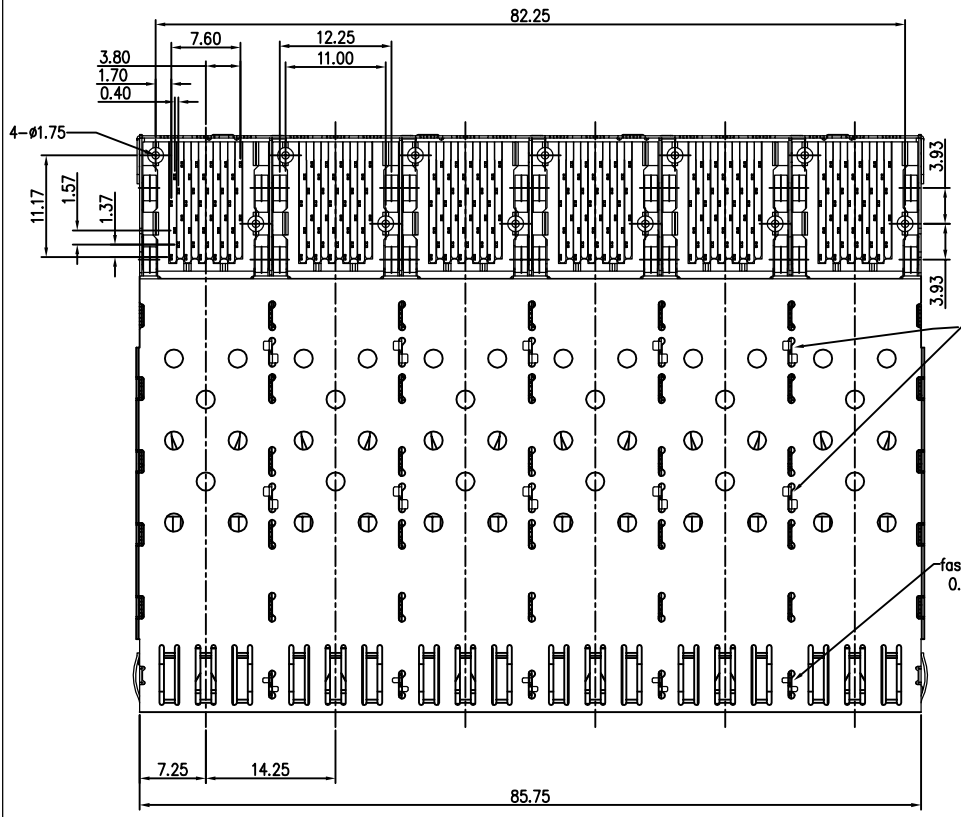


BEZEL CUT-OUT CENTER SPACING DETAIL  
BEZEL THICKNESS: 0.8-2.6



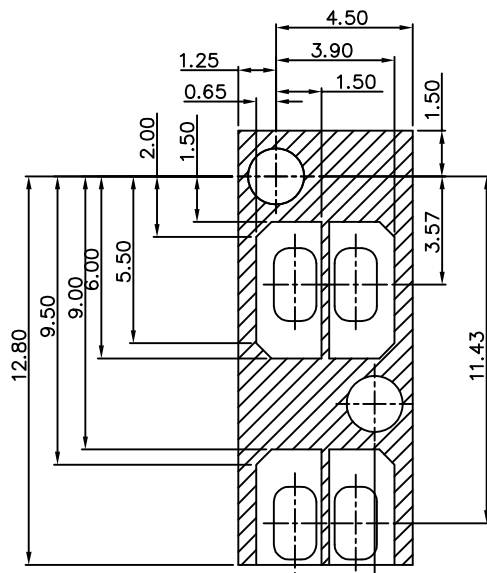
DETACHED LISTS	$\leftarrow$ MM $\rightarrow$ (INCH)		DFTO Roy	DATE 01/14/2014		RoHS Compliant		
	TOLERANCES EXCEPT AS NOTED		CHKD	DATE		TITLE		
	MM	±	APPVL	DATE	SFP 2BY 6 CAGE+CONNECTOR_P			
	.0 ± 0.20	±	MATERIAL :		DRAWING NO.	CSFP005-03-L	SIZE	REV
	.00 ± 0.15	±	QTY :		/PART NO.	SFP005-03-L	A3	5
.000 ± 0.075	±	FINISH :		DO NOT SCALE DRAWING		SHEET	2	
ANGLES ± 0.5°		SCALE : 1:1				OF	4	
 THIRD ANGLE PROJECTION								

REVISION RECORD		
REV	DESCRIPTION	DRFT
1	ADD NOTE	Jack 9/03/10'
2	(1) CHANGE TO 3 ROW TABS (2) ADD TRACE KEEP OUT AREA&DIMENSION	Jack 9/28/10'
3	MODIFY PLATING SPECIFICATION	Jack 1/27/11'
4	ADD DETAIL VIEW	Jack 1/30/12'
5	CHANGE PLASTIC MATERIAL	Roy 1/14/14'

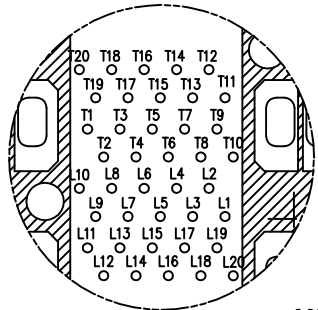


DETACHED LISTS	← MM (INCH) →		DFTO Roy	DATE 01/14/2014	<b>Pulse Electronics</b> RoHS Compliant
	TOLERANCES EXCEPT AS NOTED		CHKD	DATE	
	MM	±	APPVL	DATE	TITLE
	.0 ± 0.20	±	MATERIAL :		SFP 2BY 6 CAGE+CONNECTOR_P
	.00 ± 0.15	±	QTY :		DRAWING NO. CSFP005-03-L
.000 ± 0.075	±	FINISH :		/PART NO. SFP005-03-L	
ANGLES ± 0.5°		SCALE : 1:1		DO NOT SCALE DRAWING	SIZE A3
THIRD ANGLE PROJECTION				SHEET 3 OF 4	REV 5

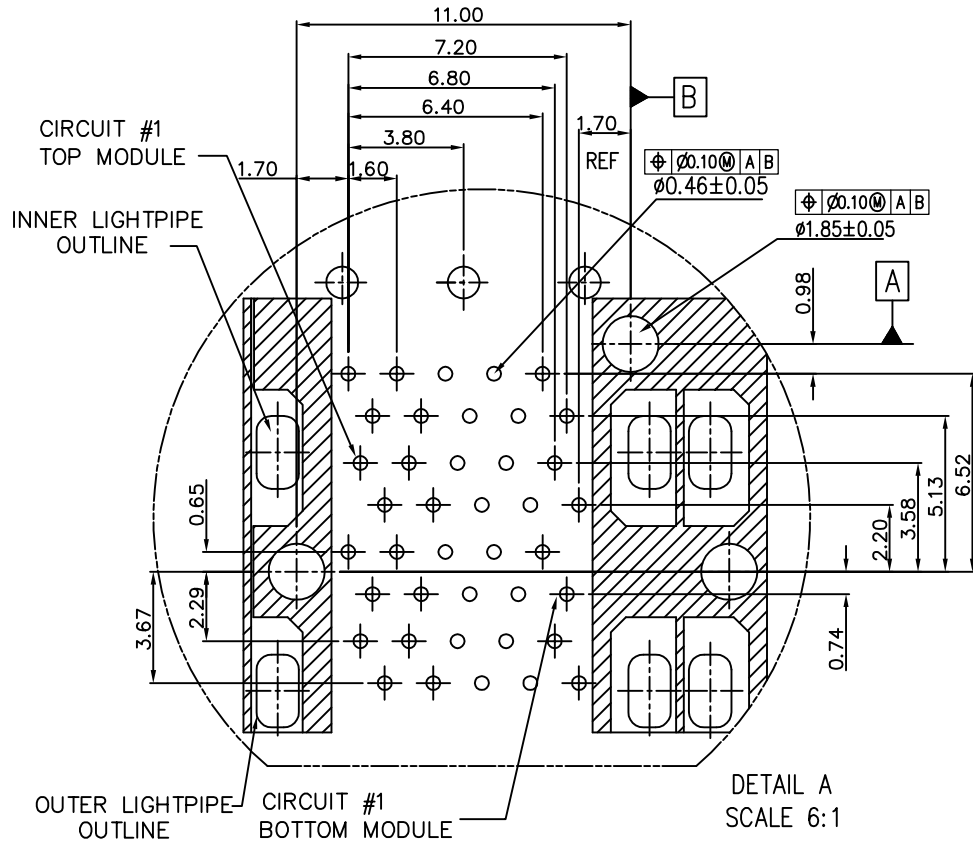
REVISION RECORD		
REV	DESCRIPTION	DRFT
1	ADD NOTE	Jack 9/03/10'
2	(1) CHANGE TO 3 ROW TABS (2) ADD TRACE KEEP OUT AREA&DIMENSION	Jack 9/29/10'
3	MODIFY PLATING SPECIFICATION	Jack 1/27/11'
4	ADD DETAIL VIEW	Jack 1/30/12'
5	CHANGE PLASTIC MATERIAL	Roy 1/14/14'



KEEP-OUT ZONE DETAIL  
SCALE 6:1



CONNECTOR PIN-OUT  
COMPONENT SIDE OF BOARD



DETAIL A  
SCALE 6:1

DETACHED LISTS	MM (INCH)	DFTO Roy	DATE 01/14/2014		RoHS Compliant
	TOLERANCES EXCEPT AS NOTED	CHKD	DATE		
	MM	APPVL	DATE	TITLE	
	.0 ± 0.20 .00 ± 0.15 .000 ± 0.075	MATERIAL :	QTY :	SFP 2BY 6 CAGE+CONNECTOR_P	
ANGLES ± 0.5°	FINISH :	SCALE : 1:1	DRAWING NO. CSFP005-03-L	SIZE A3	REV 5
THIRD ANGLE PROJECTION	DO NOT SCALE DRAWING		SHEET 4 OF 4		

## X-ON Electronics

Largest Supplier of Electrical and Electronic Components

*Click to view similar products for [I/O Connectors](#) category:*

*Click to view products by [Pulse manufacturer](#):*

Other Similar products are found below :

[571763P](#) [58098-0628](#) [72.250.1628.2](#) [72.250.2428.2](#) [74720-0505](#) [76.350.0729.0](#) [76871-1403](#) [FCN-244F080-G/1](#) [FCN-260A9920](#) [PCR-E36PM](#) [PCS-XE26MA+](#) [G38A71314B](#) [1571250010](#) [157-22500-3](#) [MS3471L14-19P L/C](#) [172501-4002](#) [172501-6002](#) [FCN-260C008-A/L0](#) [FCN-260C024-AL0](#) [FCN-261Z008](#) [2000314-1](#) [200331-1](#) [PCR-E36FC+](#) [PCS-E28FS+](#) [PCS-XE26SLFD+](#) [PCS-XE26SLFDT+](#) [G730VID08BDC24](#) [U90B2054081210](#) [38113800006](#) [DP3AR020WQ1R200](#) [Z4.102.0680.0](#) [500-1040](#) [500-1052](#) [500-1054](#) [ZP-4008-66L](#) [0709821002](#) [DX40-20P\(55\)](#) [5554841-1](#) [MS3474W18-8P-LC\\*](#) [SM3106F14S-7S-LC](#) [U90B3054061110](#) [U65-E04-4020](#) [ZPF00000000097891](#) [747360449](#) [10099439-003C-TRLF](#) [10137239-0021LF](#) [E9320-001-01](#) [10137239-0011LF](#) [70289-001LF](#) [70.060.1028.0](#)