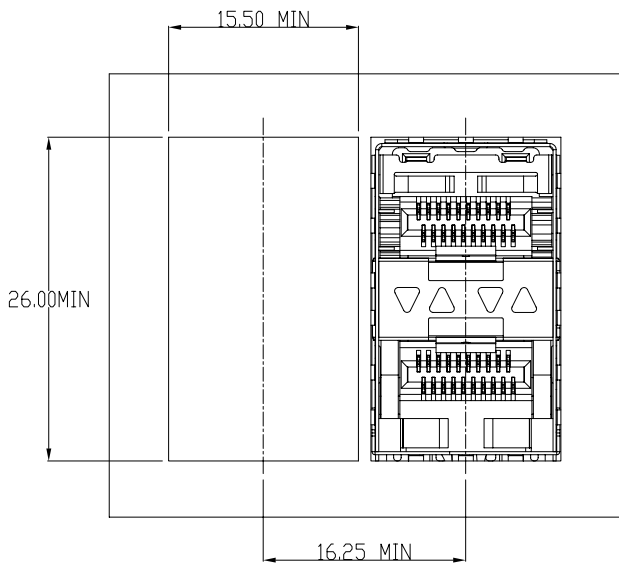
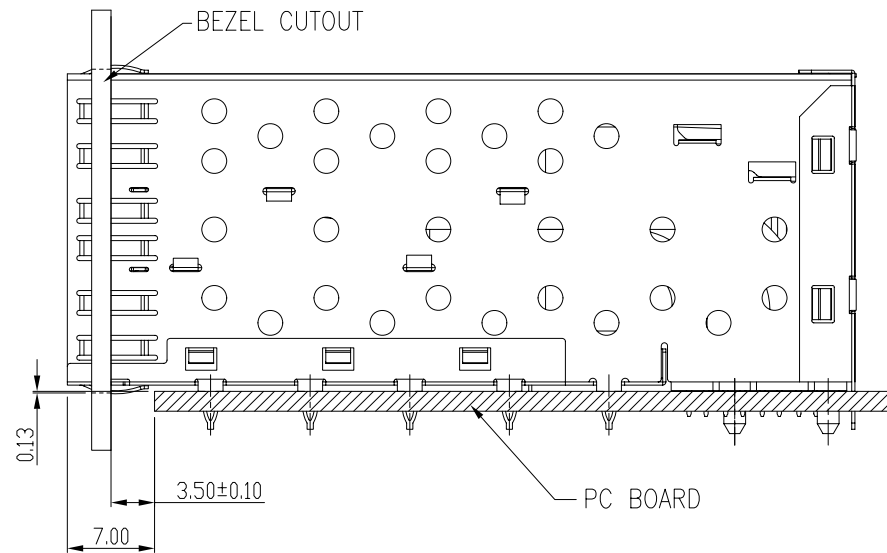


Qty Per:	TRAY	CARTON		
	16	96		
PART NUMBER	STATEMENT			
SFP018-L	INNER/OUTER LIGHT PIPES			
No.	DESCRIPTION	Q'ty	MATERIAL	PLATING
01	SFP CAGE (Non-Logo)	1	COPPER ALLOY	NICKEL
02	CONNECTOR	1	HIGH TEMP/COPPER ALLOY	GOLD

DETACHED LISTS	MM (INCH)	RoHS Compliant		Pulse A TECHNITROL COMPANY	
	TOLERANCES EXCEPT AS NOTED	TITLE			
	MM .0 ± 0.25 ± .00 ± 0.2 ± .000 ± 0.10 ±	W/LIGHT PIPES			
	ANGLES ± 0.5	SFP 2 BY 1 CAGE+CONNECTOR_P			
THIRD ANGLE PROJECTION	DFTD Jack	DRAWING NO. CSFP018-L	SIZE A3	REV 2	
	DATE 12/02/08'	/PART NO. SFP018-L	SCALE: 2:1	DO NOT SCALE DRAWING	SHEET 1 OF 4

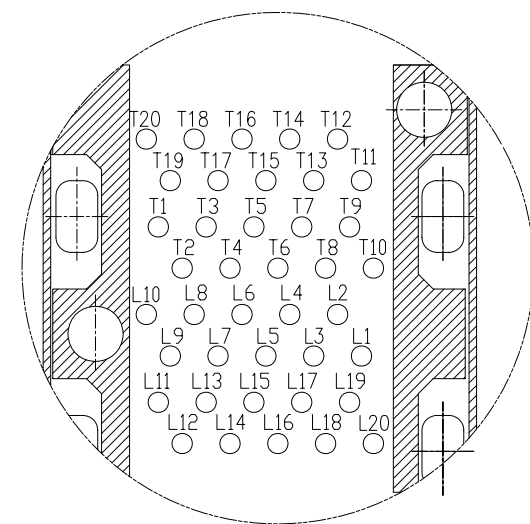
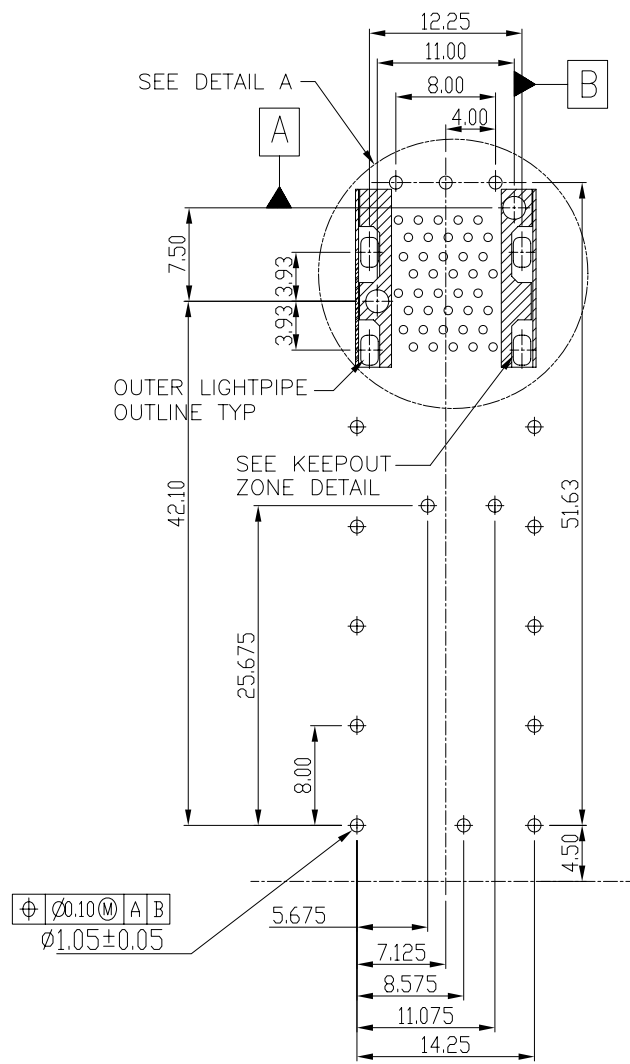
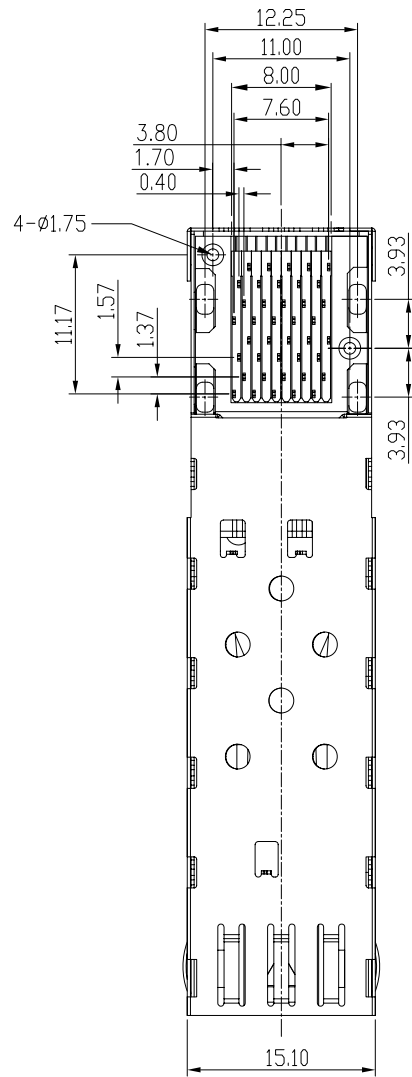


BEZEL CUT-OUT CENTER SPACING DETAIL
BEZEL THICKNESS:0.8-2.6


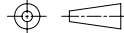


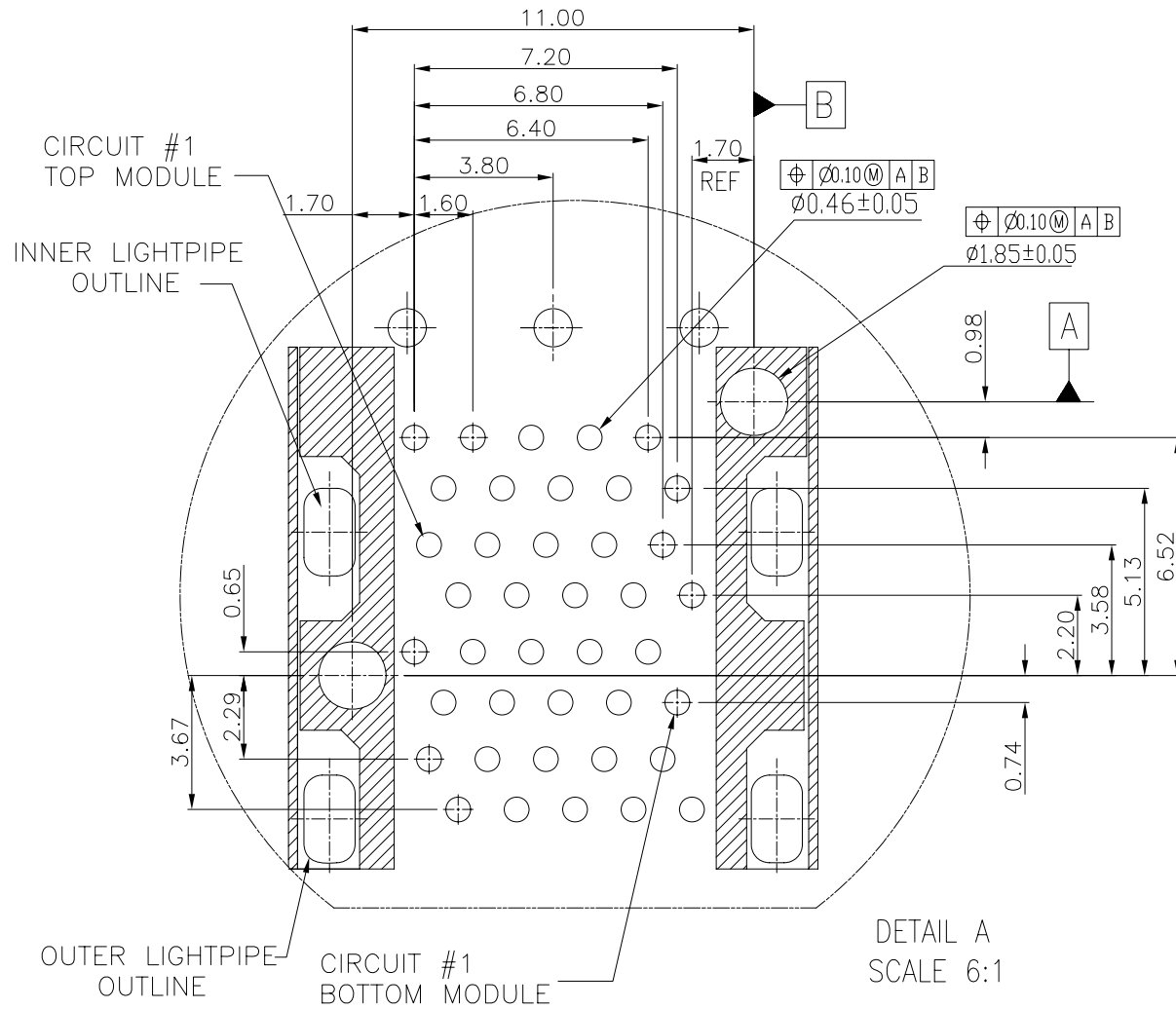
SECTION A-A

MM (INCH)		RoHS Compliant			
TOLERANCES EXCEPT AS NOTED		TITLE SFP 2 BY 1 CAGE+CONNECTOR_P W/LIGHT PIPES			
DETACHED LISTS	MM				
	.0 ± 0.25	±			
	.00 ± 0.2	±			
	.000 ± 0.10	±			
	ANGLES ± 0.5				
 THIRD ANGLE PROJECTION		DFTD Jack DATE 12/02/08		DRAWING NO. CSFP018-L /PART NO. SFP018-L	
SCALE : 2:1		DO NOT SCALE DRAWING		SIZE A3	REV 2
				SHEET 2	OF 4



CONNECTOR PIN-OUT
COMPONENT SIDE OF BOARD

MM (INCH)		RoHS Compliant		 Pulse <small>A TECHNITROL COMPANY</small>	
TOLERANCES EXCEPT AS NOTED		TITLE SFP 2 BY 1 CAGE+CONNECTOR_P W/LIGHT PIPES			
DETACHED LISTS MM .0 ± 0.25 ± .00 ± 0.2 ± .000 ± 0.10 ± ANGLES ± 0.5	DFTD Jack DATE 12/02/08		DRAWING NO. CSFP018-L /PART NO. SFP018-L		SIZE A3
 THIRD ANGLE PROJECTION		SCALE : 2:1 DO NOT SCALE DRAWING		REV 2 SHEET 3 OF 4	



MM (INCH)		RoHS Compliant			
TOLERANCES EXCEPT AS NOTED:		TITLE SFP 2 BY 1 CAGE+CONNECTOR_P W/LIGHT PIPES			
MM					
.0 ± 0.25	±				
.00 ± 0.2	±				
.000 ± 0.10	±				
ANGLES ± 0.5		DFTD Jack DATE 12/02/08'		DRAWING NO. CSFP018-L /PART NO. SFP018-L	
 THIRD ANGLE PROJECTION		SCALE : 2:1		DO NOT SCALE DRAWING	
		SIZE A3		REV 2	
		SHEET 4		OF 4	

X-ON Electronics

Largest Supplier of Electrical and Electronic Components

Click to view similar products for [Modular Connectors](#) / [Ethernet Connectors](#) category:

Click to view products by [Pulse](#) manufacturer:

Other Similar products are found below :

[8949-H88/06BLKA/SN](#) [74441-0010/BKN](#) [MP1010RX-1000](#) [MP44RX-1000](#) [PHP-6P6C-5](#) [GAX-3-66](#) [GAX-8-62](#) [GDCX-PA-66-50](#) [GDCX-PN-64](#) [GDCX-PN-66](#) [GDCX-PN-66-50](#) [GDLX-A-66](#) [GDLX-N-66](#) [GDLX-S-66](#) [GDLX-S-88K](#) [GDTX-S-88-50](#) [GDX-PA-1010](#) [GLX-N-1010M-BLK](#) [GLX-S-88M-BLK](#) [GMX-N-1010](#) [GMX-S-1010](#) [GMX-S-66](#) [GMX-SMT4-N-88](#) [GPX-2-64](#) [GSGX-N-2-88](#) [GSGX-N-4-88](#) [GSX-NS2-88-3.05](#) [GSX-NS2-88-3.05-50](#) [GSX-NS-88-3.05-50](#) [PT-108A-8C-UL](#) [PT-J951-8C](#) [PTS-J531-8CS-50UL](#) [1-1775629-2](#) [A-2014-0-4](#) [GWLX-S-88-GR](#) [GWLX-S9-88-YG](#) [DC-1021-8-WH-6](#) [1300530003](#) [1324640-4](#) [RJ11FTVC2G](#) [RJ11FTVC2N](#) [RJFTVX2SA1G](#) [132764-001](#) [1413235](#) [MP88X-1000](#) [MPS88RX-5000](#) [E5288-S000K3-L](#) [E5908-15A242-L](#) [155302-001](#) [AX100653](#)