

Qty Per:	TRAY	CARTON		
	12	72		
PART NUMBER	STATEMENT			
SFP0-3030-L	INNER/OUTER LIGHT PIPES			
No.	DESCRIPTION	Q'ty	MATERIAL	PLATING
01	SFP CAGE (Non-Logo)	1	COPPER ALLOY	
02	CONNECTOR	2	HIGH TEMP/COPPER ALLOY	GOLD
03	LIGHT PIPES	2	POLYCARBONITE	

DETACHED LISTS	MM (INCH)	RoHS Compliant		
	TOLERANCES EXCEPT AS NOTED			TITLE
	MM			W/LIGHT PIPES
	ANGLES ± 0.5			SFP 2 BY 2 CAGE+CONNECTOR_P
THIRD ANGLE PROJECTION	DFTD Jack	DRAWING NO. CSFP0-3030-L	SIZE	REV
	DATE 6/09/10'	/PART NO. SFP0-3030-L	A3	2
	SCALE : 2:1	DO NOT SCALE DRAWING	SHEET 1	OF 4

8

7

6

5

4

3

2

1

H

G

F

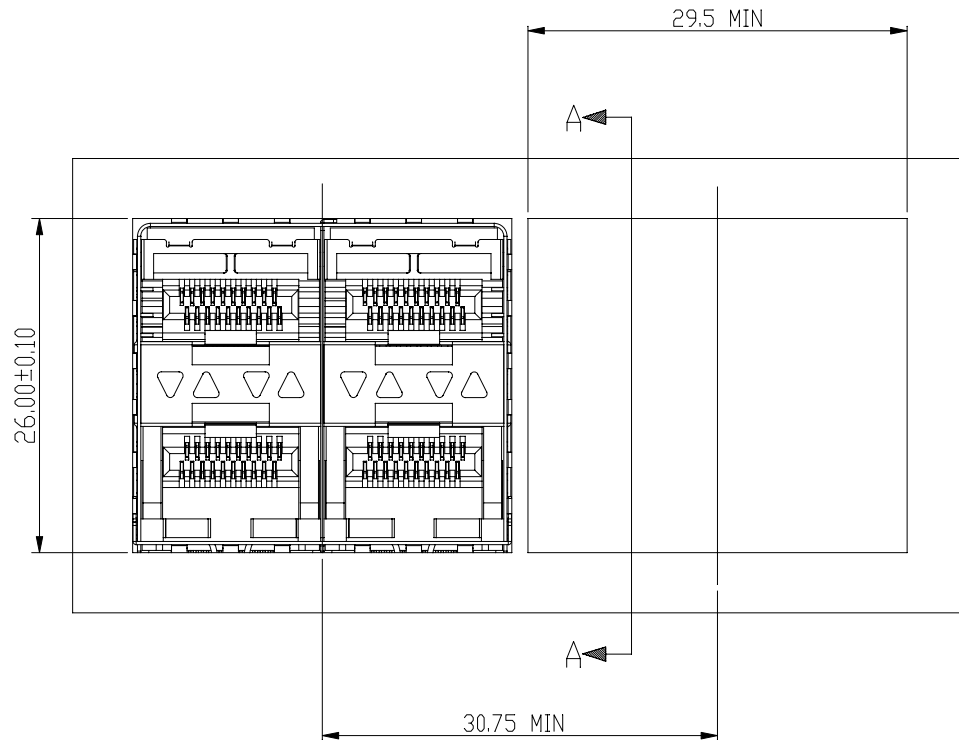
E

D

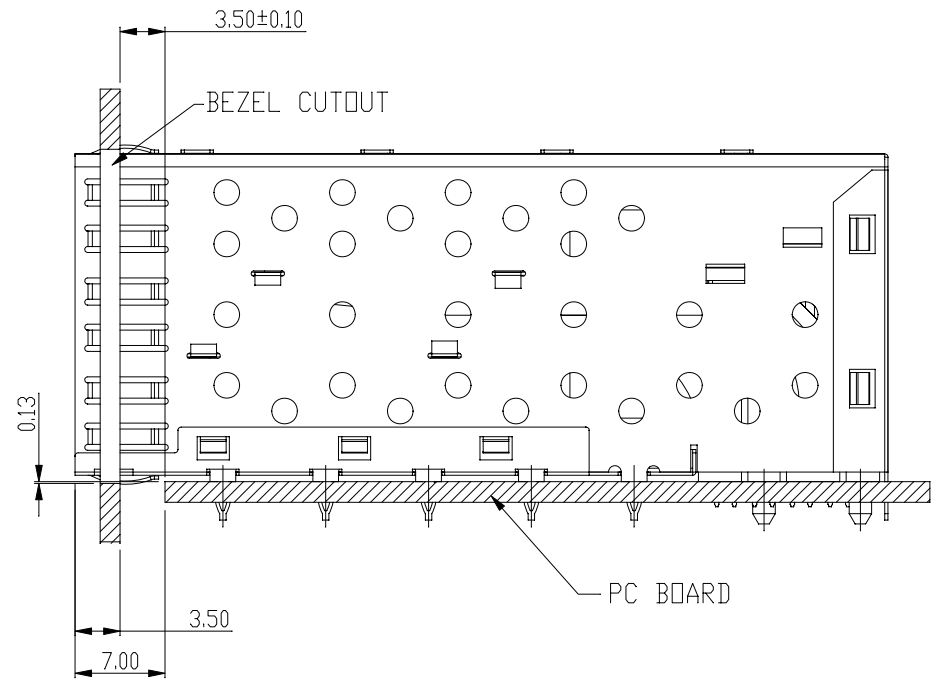
C

B

A



BEZEL CUT-OUT CENTER SPACING DETAIL
BEZEL THICKNESS:0.8-2.6



SECTION A-A

DETACHED LISTS	← MM (INCH) →	RoHS Compliant					
	TOLERANCES EXCEPT AS NOTED					TITLE SFP 2 BY 2 CAGE+CONNECTOR_P W/LIGHT PIPES	
	MM	±	DFTD Jack	DRAWING NO. CSFP0-3030-L	SIZE		
	.0 ± 0.25	±	DATE 6/09/10'	/PART NO. SFP0-3030-L	A3	2	
.00 ± 0.2	±	SCALE : 2:1		DO NOT SCALE DRAWING		SHEET 2 OF 4	
.000 ± 0.10	±						
ANGLES ± 0.5							
 THIRD ANGLE PROJECTION							

8

7

6

5

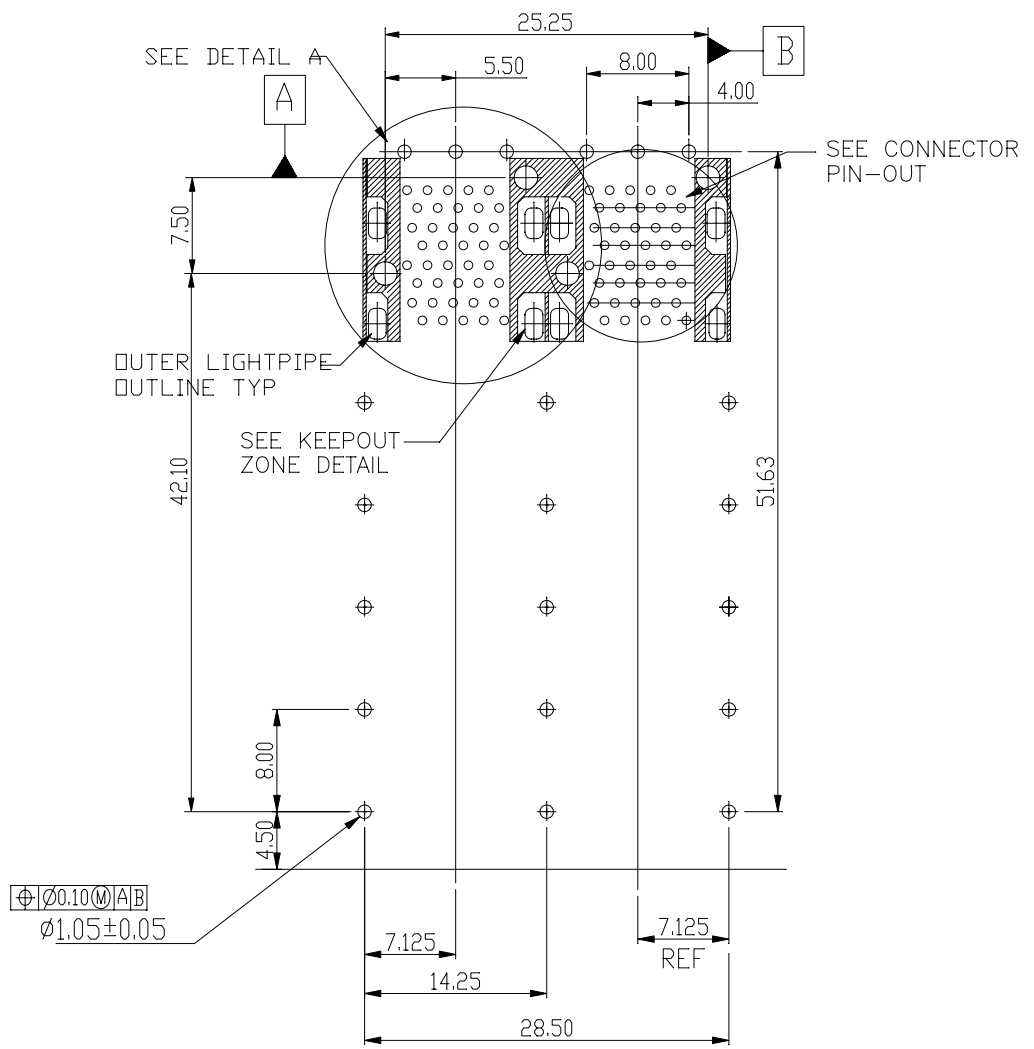
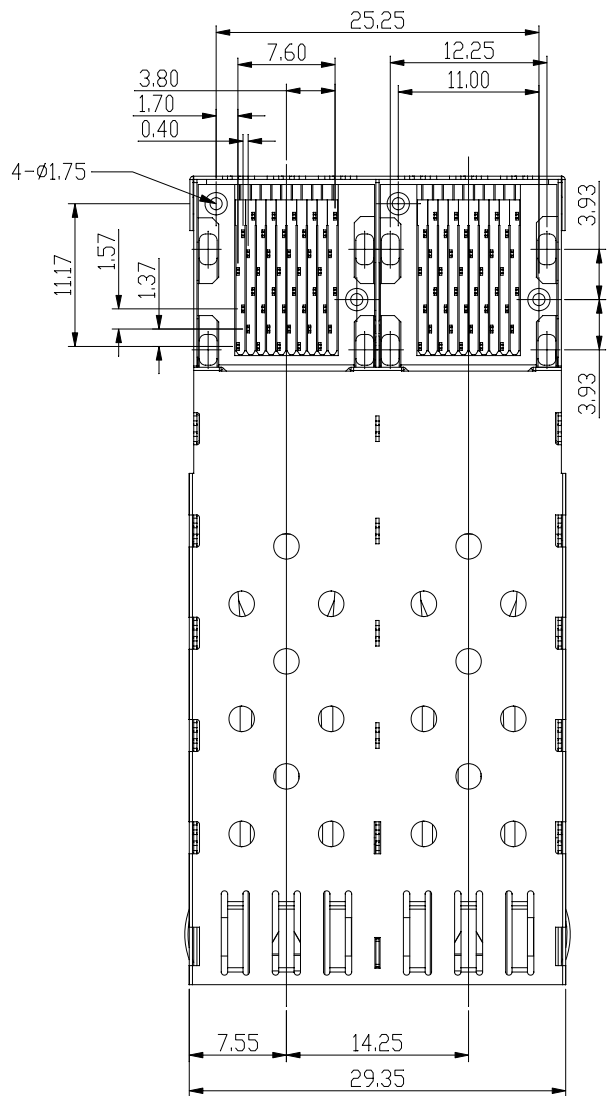
4

3

2

1

H
G
F
E
D
C
B
A



8

7

6

5

4

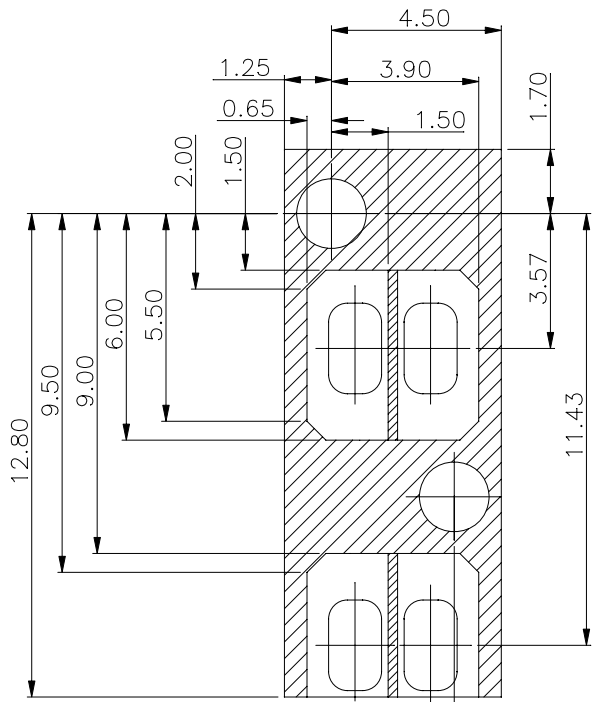
3

2

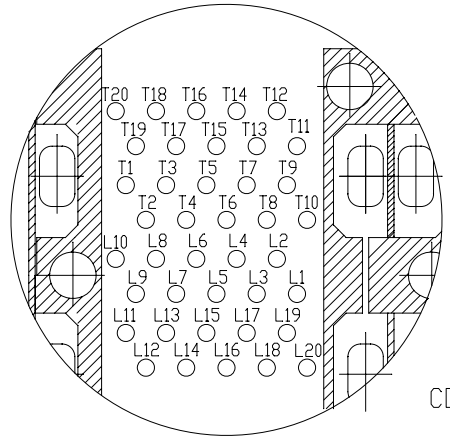
1

← MM (INCH) → TOLERANCES EXCEPT AS NOTED		RoHS Compliant			
DETACHED LISTS	MM .0 ± 0.25 .00 ± 0.2 .000 ± 0.10	± ± ±	TITLE SFP 2 BY 2 CAGE+CONNECTOR_P		W/LIGHT PIPES
	ANGLES ± 0.5		DFTO Jack DATE 6/09/10'	DRAWING NO. CSFP0-3030-L /PART NO. SFPO-3030-L	SIZE A3
	 THIRD ANGLE PROJECTION		SCALE : 2:1	DO NOT SCALE DRAWING	SHEET 3 OF 4

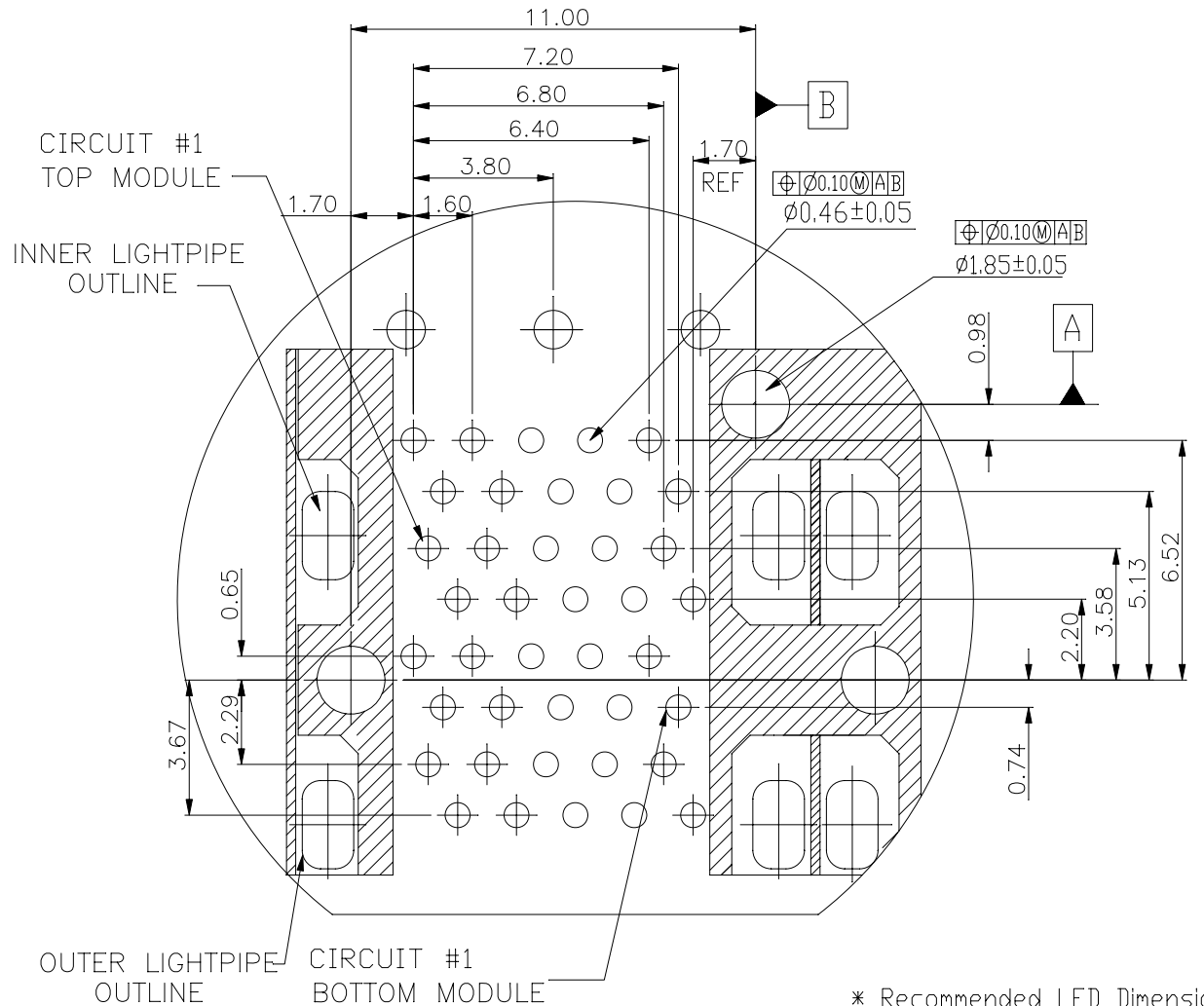
H
G
F
E
D
C
B
A



KEEPOUT ZONE DETAIL
SCALE 6:1



CONNECTOR PIN-OUT
COMPONENT SIDE OF BOARD



DETAIL A
SCALE 6:1

- * Recommended LED Dimensions
- Dimensions(WxLxH):
- 0.5x1.0x0.5 mm
- 0.8x1.6x0.5 mm
- 1.25x2.0x0.8 mm
- 1.25x1.6x0.65 mm

DETACHED LISTS THIRD ANGLE PROJECTION	TOLERANCES EXCEPT AS NOTED MM .0 ± 0.25 ± .00 ± 0.2 ± .000 ± 0.10 ± ANGLES ± 0.5	RoHS Compliant		
	TITLE SFP 2 BY 2 CAGE+CONNECTOR_P		W/LIGHT PIPES	
	DFTD Jack DATE 6/09/10'	DRAWING NO. CSFP0-3030-L /PART NO. SFP0-3030-L	SIZE A3	REV 2
	SCALE : 2:1	DO NOT SCALE DRAWING	SHEET 4 OF 4	

X-ON Electronics

Largest Supplier of Electrical and Electronic Components

Click to view similar products for [Modular Connectors](#) / [Ethernet Connectors](#) category:

Click to view products by [Pulse manufacturer](#):

Other Similar products are found below :

[RJE231881317T](#) [MP1010RX-1000](#) [MP44RX-1000](#) [GAX-3-66](#) [GAX-8-62](#) [93606-0253](#) [GD-A-44](#) [GDCX-PA-66-50](#) [GDCX-PN-64](#) [GDCX-PN-66](#) [GDCX-PN-66-50](#) [GDLX-A-66](#) [GDLX-A-88](#) [GDLX-N-66](#) [GDLX-S-66](#) [GDLX-S-88K](#) [GDTX-S-88-50](#) [GDX-PA-1010](#) [GLX-N-1010M-BLK](#) [GLX-S-88M-BLK](#) [GMX-N-1010](#) [GMX-S-1010](#) [GMX-S-66](#) [GMX-SMT2-N-1010](#) [GMX-SMT2-N-64-50](#) [GMX-SMT2-N-88](#) [GMX-SMT2-S6-88](#) [GMX-SMT4-N-88](#) [GPX-2-64](#) [GRT1-BT1-5](#) [GSGX-N-2-88](#) [GSX-NS2-88-3.05](#) [GSX-NS2-88-3.05-50](#) [GSX-NS-88-3.05-30](#) [GSX-NS-88-3.05-50](#) [GSX-NS-88-3.68](#) [1-1775629-2](#) [GWLX-S-88-GR](#) [GWLX-S9-88-YG](#) [1300500326](#) [1300500227](#) [1300530003](#) [1300570002](#) [1324640-4](#) [RJ11FTVC2G](#) [RJ11FTVC2N](#) [RJFTVX2SA1G](#) [132764-001](#) [1400000](#) [1413235](#)