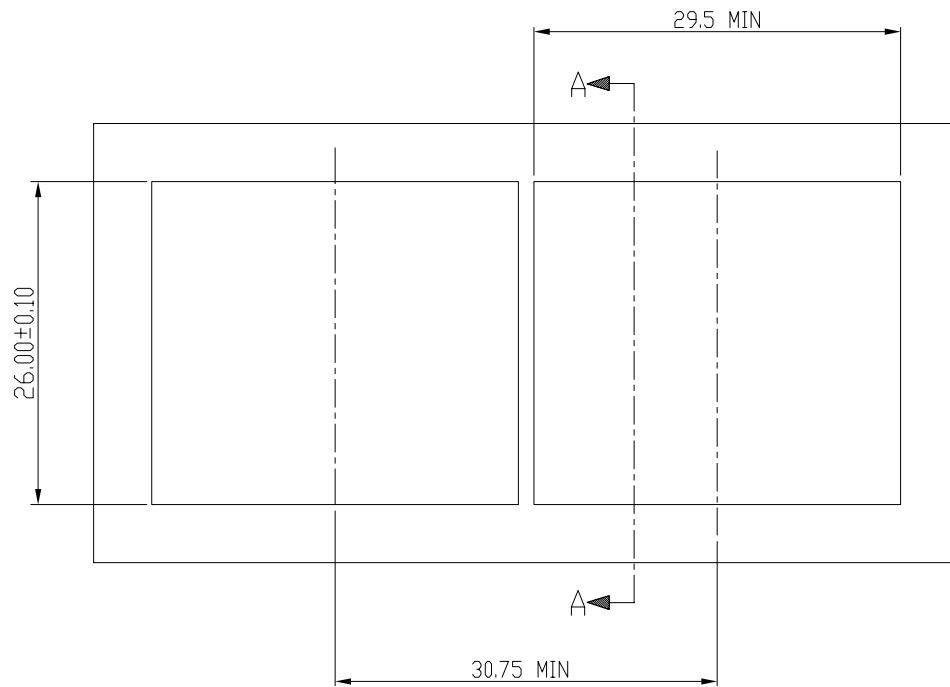
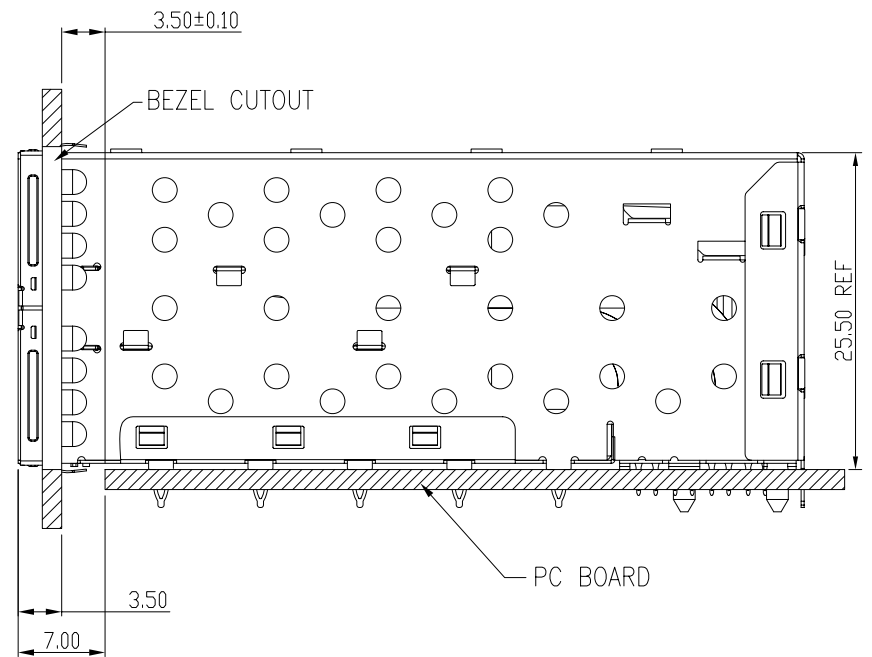


Qty Per:	TRAY	CARTON		
	12	72		
PART NUMBER	STATEMENT			
SFPP-3130-L	INNER/OUTER LIGHT PIPES			
No.	DESCRIPTION	Q'ty	MATERIAL	PLATING
01	SFP CAGE (Non-Logo)	1	ECOTRIO	
02	CONNECTOR	2	HIGH TEMP/COPPER ALLOY	GOLD
03	LIGHT PIPES	2	POLYCARBONITE	
04	EMI TAB	2	ECOTRIO	

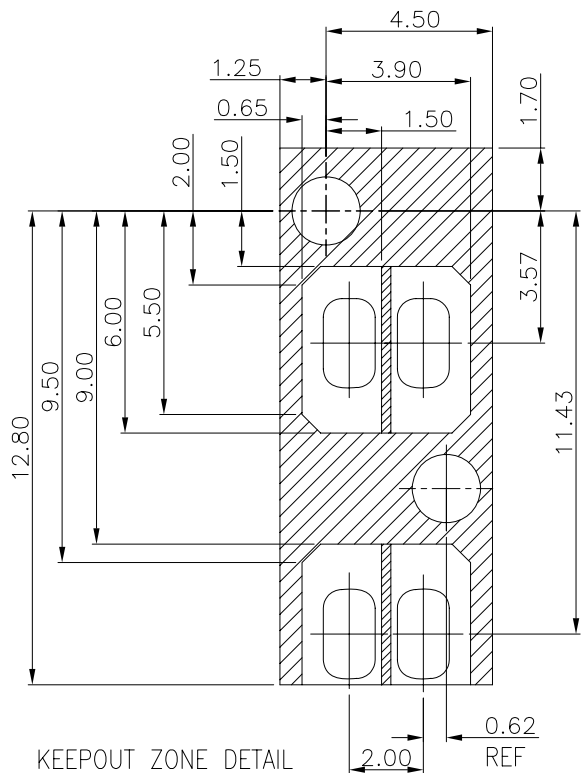
DETACHED LISTS	MM (INCH)	RoHS Compliant				
	TOLERANCES EXCEPT AS NOTED					
	MM	TITLE				
	.0 ± 0.25 ± .00 ± 0.2 ± .000 ± 0.10 ±	W/LIGHT PIPES&EMI TAB				
ANGLES ± 0.5	SFP PLUS 2 BY 2 CAGE+CONNECTOR_P		DFTD Jack	DRAWING NO. CSFPP-3130-L	SIZE	REV
	SCALE : 2:1		DATE 11/18/08'	/PART NO. SFPP-3130-L	A3	0
THIRD ANGLE PROJECTION	DO NOT SCALE DRAWING		SHEET 1 OF 4			



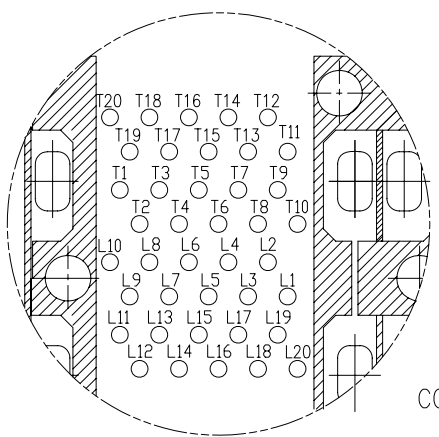
BEZEL CUT-OUT CENTER SPACING DETAIL
 BEZEL THICKNESS:0.8-2.6



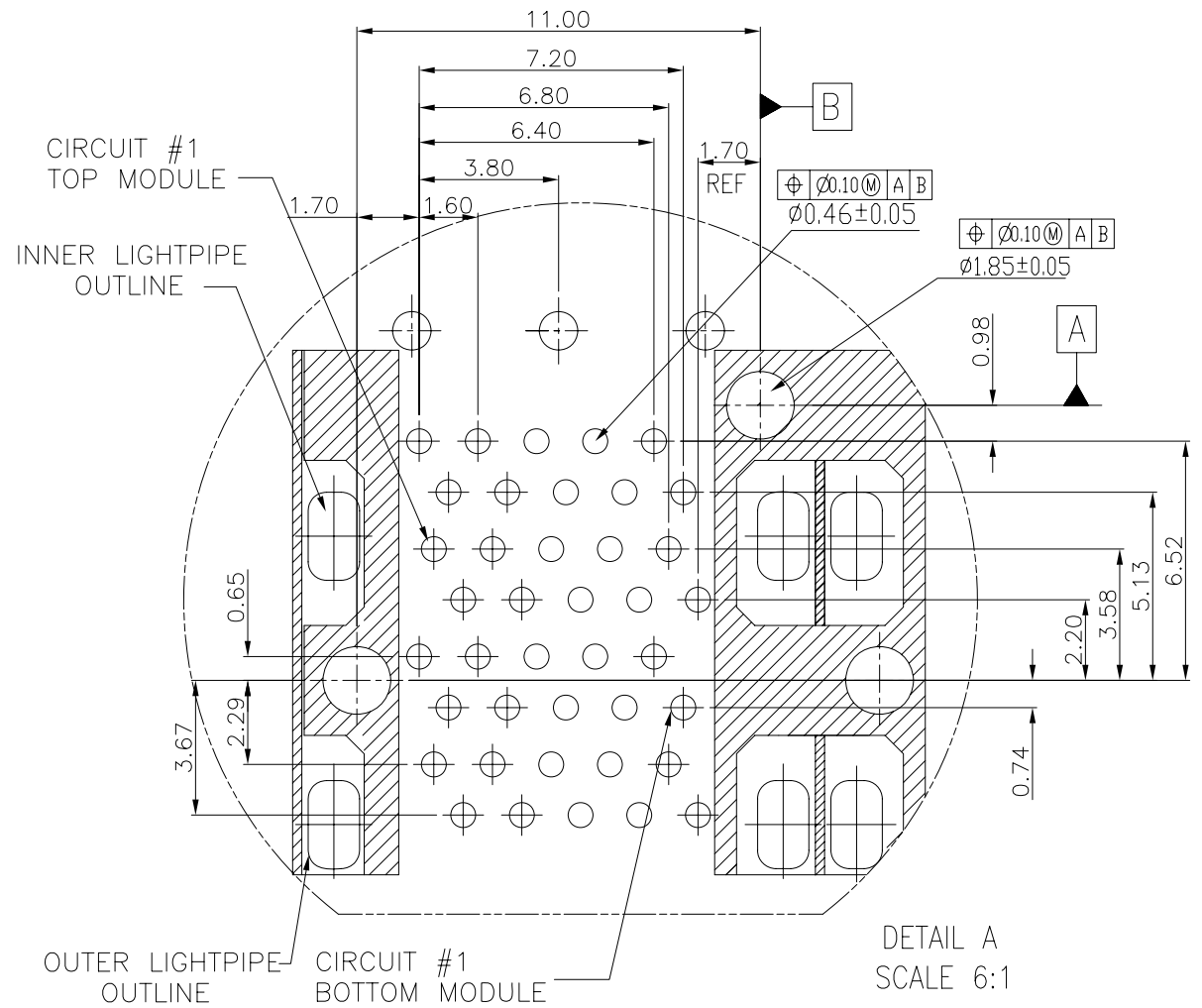
DETACHED LISTS	← MM (INCH) → TOLERANCES EXCEPT AS NOTED		RoHS Compliant			
	MM		TITLE W/LIGHT PIPES&EMI TAB SFP 2 BY 2 CAGE+CONNECTOR_P			
	.0 ± 0.25	±				
	.00 ± 0.2	±				
.000 ± 0.10	±					
ANGLES ± 0.5		DFTD Jack		DRAWING NO. CSFPP-3130-L		SIZE
THIRD ANGLE PROJECTION		DATE 11/18/08'		/PART NO. SFPP-3130-L		REV
		SCALE : 2:1		DO NOT SCALE DRAWING		0
				SHEET 2		OF 4



KEEPOUT ZONE DETAIL
SCALE 6:1



CONNECTOR PIN-OUT
COMPONENT SIDE OF BOARD



DETAIL A
SCALE 6:1

MM (INCH)		RoHS Compliant			
TOLERANCES EXCEPT AS NOTED		TITLE SFP 2 BY 2 CAGE+CONNECTOR_P			
MM .0 ± 0.25 ± .00 ± 0.2 ± .000 ± 0.10 ±		DRAWING NO. CSFPP-3130-L /PART NO. SFPP-3130-L		SIZE A3	REV 0
ANGLES ± 0.5		DFTD Jack DATE 11/18/08		DO NOT SCALE DRAWING	
		SCALE : 2:1		SHEET 4 OF 4	

X-ON Electronics

Largest Supplier of Electrical and Electronic Components

Click to view similar products for [Modular Connectors / Ethernet Connectors](#) category:

Click to view products by [Pulse](#) manufacturer:

Other Similar products are found below :

[8949-H88/06BLKA/SN](#) [74441-0010/BKN](#) [MP1010RX-1000](#) [MP44RX-1000](#) [PHJ-4P4C-1-V-4](#) [PHP-6P6C-5](#) [GAX-3-66](#) [GAX-8-62](#) [GDCX-PA-66-50](#) [GDCX-PN-64](#) [GDCX-PN-66](#) [GDCX-PN-66-50](#) [GDLX-A-66](#) [GDLX-N-66](#) [GDLX-S-66](#) [GDLX-S-88K](#) [GDLX-SMT-S-88](#) [GDTX-S-88-50](#) [GDX-PA-1010](#) [GLX-N-1010M-BLK](#) [GLX-S-88M-BLK](#) [GMX-N-1010](#) [GMX-S-1010](#) [GMX-S-66](#) [GMX-SMT4-N-88](#) [GPX-2-64](#) [GSGX-N-2-88](#) [GSGX-N-4-88](#) [GSX-NS2-88-3.05](#) [GSX-NS2-88-3.05-50](#) [GSX-NS-88-3.05-50](#) [PT-108A-8C-UL](#) [PT-J951-8C](#) [PTS-J531-8CS-50UL](#) [1-1775629-2](#) [A-2014-0-4](#) [GWLX-S-88-GR](#) [GWLX-S9-88-YG](#) [DC-1021-8-WH-6](#) [1300530003](#) [1324640-4](#) [RJ11FTVC2G](#) [RJ11FTVC2N](#) [RJFTVX2SA1G](#) [132764-001](#) [1413235](#) [MP88X-1000](#) [MPS88RX-5000](#) [E5288-S000K3-L](#) [E5908-15A242-L](#)