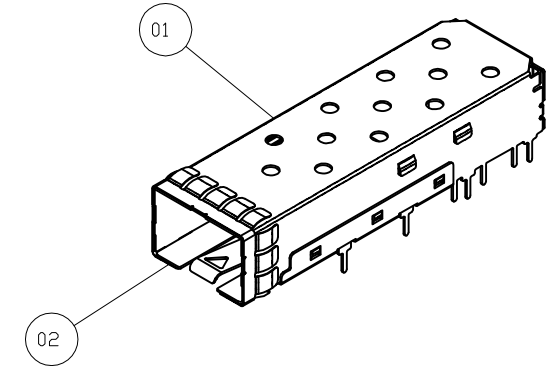
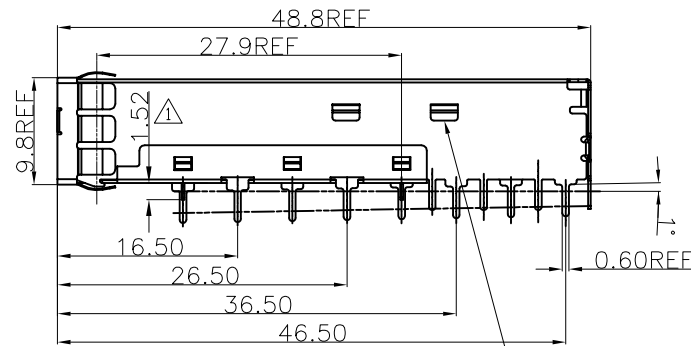
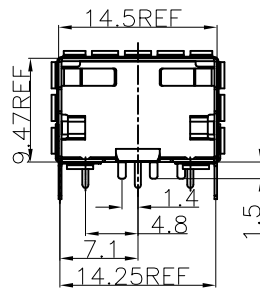
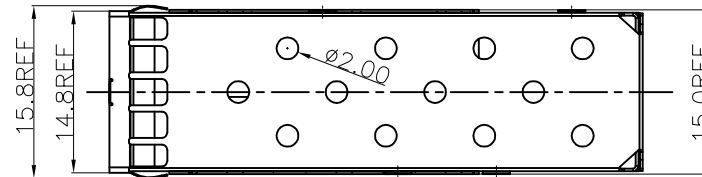
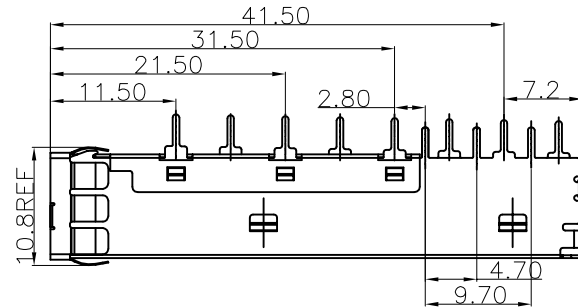


REVISION RECORD		
REV	DESCRIPTION	DRFT
1	UPDATE DIM	Jack 8/05/11'
2	MODIFY NI PLATING SPEC.	Jack 11/11/11'
3	ADD DIMENSION 1.50	Roy 7/03/13'



NOTE:

- | 1. DESCRIPTION | Q'ty | MATERIAL | PLATING |
|-------------------------------|------|----------|-------------|
| 01 SFP TOP CAGE (Non-Logo) | 1PCS | COPPER | MATT NICKLE |
| 02 SFP BOTTOM CAGE (Non-Logo) | 1PCS | COPPER | MATT NICKLE |
2. PLATED: PLATED NICKEL 50u"-350u" Max
3. TEMPERATURE:
 OPERATION: -40°C~ +85°C
 STORAGE: -40°C~ +85°C
4. RoHS COMPLIANT

PART NUMBER
SFPPCAGE001-02-L

DETACHED LISTS	MM (INCH)	RoHS Compliant	Pulse Electronics	FULL RISE ELECTRONIC CO., LTD
	TOLERANCES EXCEPT AS NOTED	DFTD PETER	DATE 6/11/08'	TITLE THROUGH HOLE
	MM .0 ± 0.25 .00 ± 0.20 .000 ± 0.10	CHKD	DATE	TITLE EMI SFP CAGE ENHANCED FOR PCI
	ANGLES ± 0.5°	APPL	DATE	DRAWING NO. CSFPPCAGE001-02-L SIZE A3 REV 3
THIRD ANGLE PROJECTION	SCALE: 1:1	DO NOT SCALE DRAWING		SHEET 1 OF 2

8

7

6

5

4

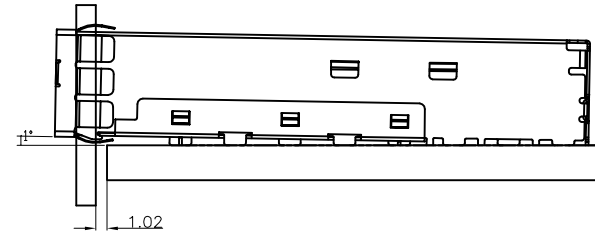
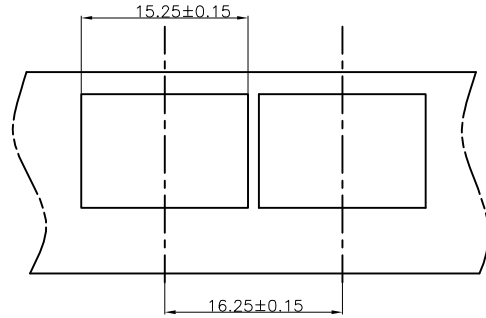
3

2

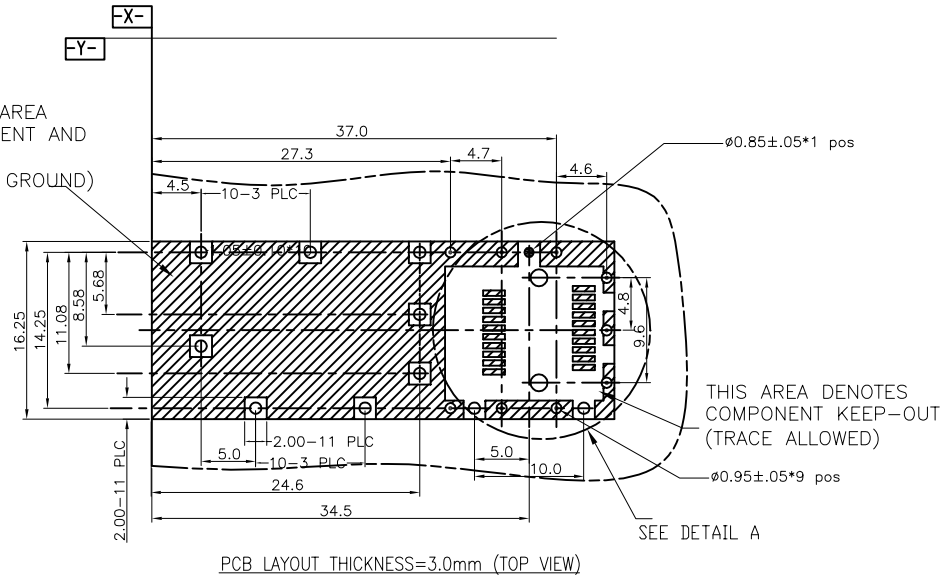
1

H
G
F
E
D
C
B
A

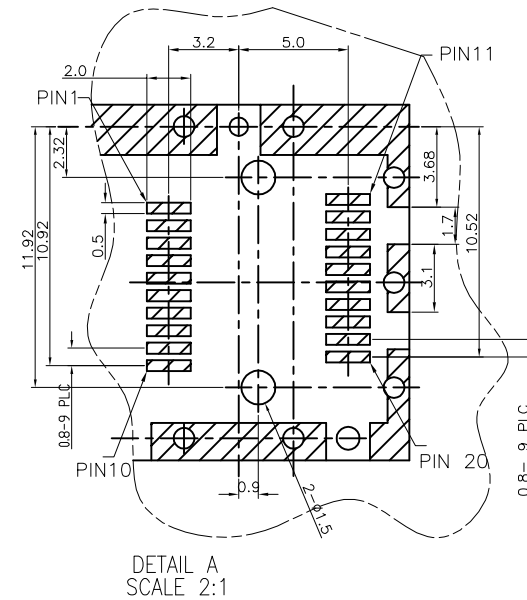
REVISION RECORD		
REV	DESCRIPTION	DRFT
1	UPDATE DIM	Jack 8/05/11'
2	MODIFY NI PLATING SPEC.	Jack 11/11/11'
3	ADD DIMENSION 1.50	Roy 7/03/13'



CROSS-HATCHED AREA
DENOTES COMPONENT AND
TRACE KEEP-OUT
(EXCEPT CHASSIS GROUND)



THIS AREA DENOTES
COMPONENT KEEP-OUT
(TRACE ALLOWED)



- ⊙ ∅1.05 * 10
- ∅0.95 * 9
- ∅0.85 * 1

Suggestion: Through hole is $\varnothing 0.85 +0.05/-0$

		RoHS Compliant				FULL RISE ELECTRONIC CO., LTD	
TOLERANCES EXCEPT AS NOTED MM .0 ± 0.25 .00 ± 0.20 .000 ± 0.10		DFTD PETER CHKD APPVL	DATE 6/11/08' DATE DATE	TITLE THROUGH HOLE EMI SFP CAGE ENHANCED FOR PCI			
ANGLES ± 0.5° 		SCALE : 1:1		DRAWING NO. CSFPFCAGE001-02-L /PART NO. SFPPCAGE001-02-L	SIZE A3	REV 3	DO NOT SCALE DRAWING SHEET 2 OF 2

X-ON Electronics

Largest Supplier of Electrical and Electronic Components

Click to view similar products for [Fibre Optic Transmitters, Receivers, Transceivers](#) category:

Click to view products by [Pulse manufacturer](#):

Other Similar products are found below :

[STV.2413-574-00262](#) [TRPRG1VA1C000E2G](#) [FTLX1871M3BNL](#) [SCN-2638SC](#) [FOC-FDX20-PP-LCD6-OSP-PT9](#) [FTL410QE4N](#) [SFPPT-SR3-01](#) [HFD8003-500-XBA](#) [2333569-1](#) [LNK-ST11HB-R6](#) [FTL4C1QL3C](#) [FTLC1157RGPL](#) [SPTSHP2PMCDF](#) [SF-NLNAMB0001](#) [TSD-S1KH1-A1G2](#) [SFP-10GTX](#) [LNK-LT12MB](#) [SFP-XSM-LCI-80K](#) [E10GSFPSRG1P5](#) [E10GSFPSRX](#) [MIL-SNK-ST31M](#) [1019682](#) [1019683](#) [1019705](#) [HFBR-5963ALZ](#) [SFP-100FX-M-2KM-T](#) [SFPCAGE005-L](#) [FTLF8532P4BCV](#) [FTLX1871D3BNL](#) [TGW-Q14BB-FCQ](#) [AFBR-5805Z](#) [AFBR-5803AZ](#) [FTLF1428P3BNV](#) [TQS-Q1LH8-XCA03](#) [TQS-Q1LH8-XCA05](#) [TQS-Q1LH8-XCA10](#) [TQS-Q1LH9-2CA](#) [HFBR-1414Z](#) [HFBR-1528Z](#) [HFBR-2406Z](#) [HFBR-2416Z](#) [HFBR-2532Z](#) [HFBR-2533Z](#) [HFBR-2528Z](#) [HFBR-2416TCZ](#) [HFBR-2416MZ](#) [HFBR-1604Z](#) [HFBR-1532Z](#) [HFBR-1531Z](#) [HFBR-1415TZ](#)