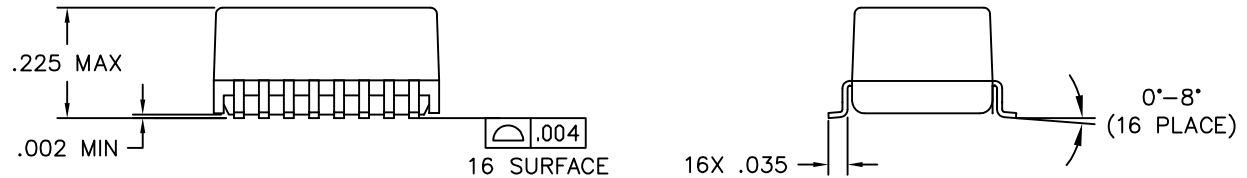
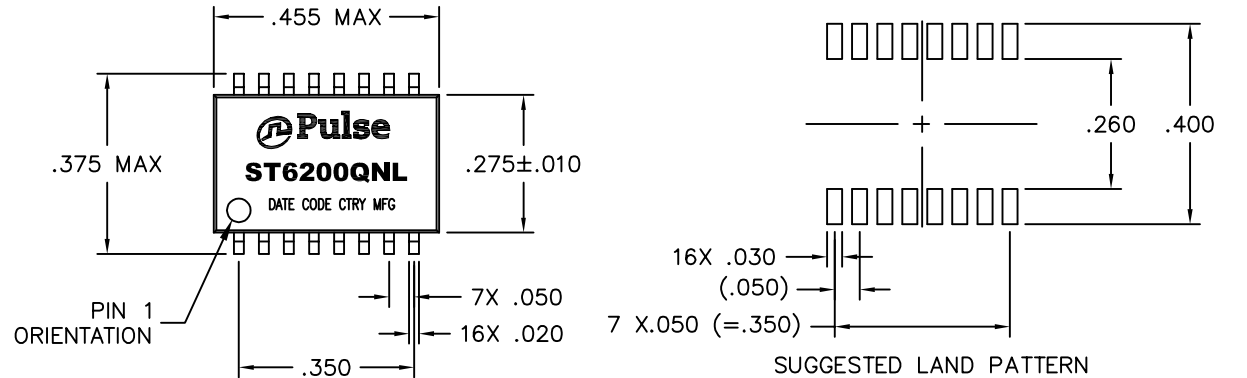


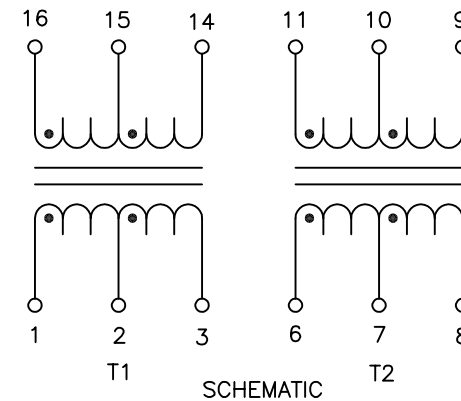
NOTES: UNLESS OTHERWISE SPECIFIED

1. ROHS COMPLIANT
2. PLASTIC: THERMOSET PLASTIC MATERIAL WITH FLAMMABILITY RATING UL 94V-0 OR BETTER.
3. SOLDERABILITY: CONFORMS TO ANSI/J-STD-002, 245°C REFLOW PEAK TEMPERATURE PER IPC/EIA J-STD-003A
4. OPERATING TEMPERATURE: 0°C TO +70°C
5. STORAGE TEMPERATURE: -20°C TO +125°C
6. JEDEC MOISTURE: LEVEL 1.
7. DIMENSIONS ARE IN INCHES WITH THE FOLLOWING TOLERANCES:
.XX= ±.01 .XXX= ±.005



ELECTRICAL CHARACTERISTICS AT +25°C

PARAMETER	SPECIFICATIONS
TURNS RATIO @ 300 KHz	(6-8):(11-9) = 1:1, ±2% (1-3):(16-14) = 1:1, ±2%
PRIMARY INDUCTANCE: @ 20 mV, 100 KHz	(1-3) = (6-8) = 28 uH MINIMUM
DC RESISTANCE	(1-3) = .200 OHMS MAXIMUM (14-16) = .200 OHMS MAXIMUM (6-8) = .200 OHMS MAXIMUM (9-11) = .200 OHMS MAXIMUM
LEAKAGE INDUCTANCE: @ 20 mV, 1 MHz	(1-3) WITH (16-14) SHORTED = 70 nH MAXIMUM (6-8) WITH (11-9) SHORTED = 70 nH MAXIMUM
CWW	(1-3) TO (14-16) = 4 pF MAXIMUM (6-8) TO (11-9) = 4 pF MAXIMUM
HIPOT	1500 VRMS FOR 60 SECONDS



PULSE CONFIDENTIAL & PROPRIETARY	PRODUCT DESCRIPTION	PS DRAWING	SHEET:	DWG. NO./ PART NO.	REV.
	XFMR,DUAL,SM-1,SMD,1CT:1CT	PS-2400.001-B	1	ST6200QNL	M15

X-ON Electronics

Largest Supplier of Electrical and Electronic Components

Click to view similar products for [Audio Transformers](#) / [Signal Transformers](#) category:

Click to view products by [Pulse manufacturer](#):

Other Similar products are found below :

[CX2041NLT](#) [MGPWT-00449-P](#) [PE-64961](#) [H1302FNLT](#) [H5008FNL](#) [H5012FNL](#) [H5020FNLT](#) [H5077NLT](#) [H5084FNLT](#)
[B78476A9558A003](#) [1812WBT2-4](#) [1879479-1](#) [HX2260FNL](#) [HX5014FNL](#) [EX2024FNL](#) [FL1066](#) [T1137NLT](#) [T3012NL](#) [PE-65812FNL](#) [PE-65848FNLT](#) [H1174FNL](#) [H1302FNL](#) [H5015FNL](#) [H5019EFNL](#) [H5062FNLT](#) [CX2047LNL](#) [MGPWT-00059-P](#) [MGPWT-00266-P](#) [MGPWT-00278-P](#) [MGPWT-00431-P](#) [TTC-100](#) [TTC-143-H](#) [TTC-5032-1](#) [BX1194WNLT](#) [HX1234NLT](#) [HX5008FNLT](#) [HX5019FNL](#) [HX5084NL](#) [3-1879385-5](#) [TX1263NLT](#) [4-1879391-0](#) [T1142NL](#) [HX6101FNL](#) [HX5084FNL](#) [HX1148NL](#) [HX5020FNLT](#) [HX5014FNLT](#) [T1124NL](#)
[1879732-1](#) [2-1879391-5](#)