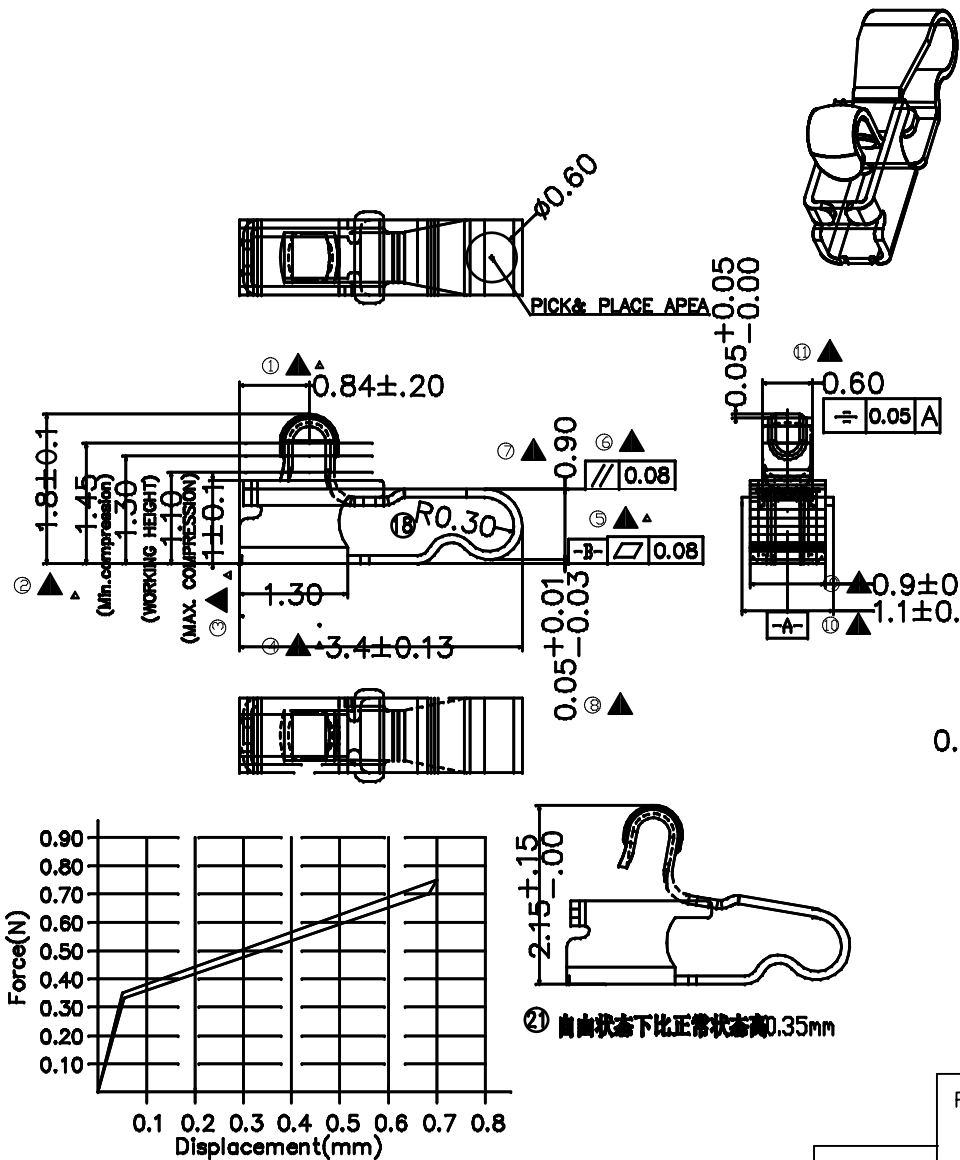
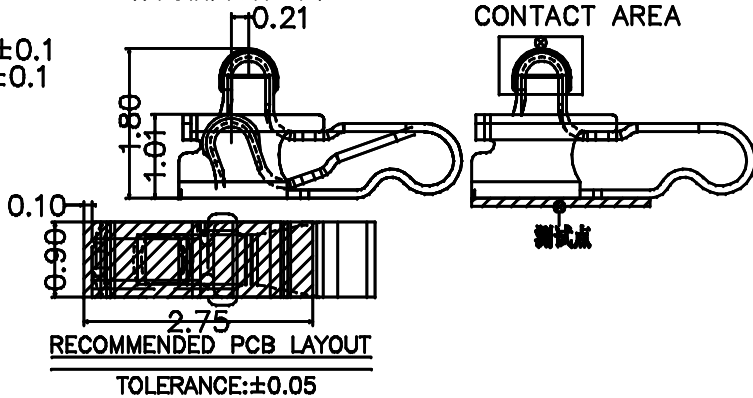


	A	B	C	D	E	F	G
MD	Description		Please follow Pulse Limits for the hazardous substances (RoHS, halogens) in the document "Pulse Hazardous Substances (HS) Limits (RPGE002-03)" and "Vendor Survey Questionnaire, Material Composition (LDM-SAF-L0040)".	Reliability Test Spec according to WIHS7.5.33 (Reliability Test Working Instruction) Default test standard is Test Standard A if no definition			
P3	Change the Logo						



- NOTES: UNLESS OTHERWISE SPECIFIED
- DIM. MARKED TO BE CHECKED.
  - MATERIAL: C17480-H T=0.1±0.005
  - NO CRACK APPEARS ON CONTACT BALL SHAPE.
  - NO LINES APPEARS ON BENDING AREA.
  - ALL UNSPECIFIED RADII TO BE 0.05 MAXIMUM.
  - BURR: 0.02MAX; CUMBER: 3MM MAX/500MM; TWIST: 20°/500MM.
  - PRE-LOAD FORCE: 0.35N ON CONTACT POINT
  - WITH 20TIME/MINUTE TEST SPEED COMPRESSED TO 0.8MM, KEEP THREE SECONDS, FORCE VALUE IS GREATER THAN 0.75N
  - 镀金要求: 接触点区域: Au>=5u" inches min "Ni">=47u"-120u" inches"

- 焊接区域: Au>=1u" inches min"  
水性耐孔剂耐孔。  
10. 产品毛刺不可超过0.05mm, 未标注的锐角/尖角按照0.2mm倒角  
11. 产品需符合HSF标准  
12. 标注▽为重点尺寸, 首次批量交货需做MinCPK, CPK值≥1.67, 每次交货需附尺寸检验报告



Confidential  
This is a proprietary information of Pulse Suzhou.  
No reproduction/copying is allowed without permission.

Functional Characteristics Key (Cpk requirement: Cpk) >  
 ● Process Capability Studies required (total pcs)  
 ● Ongoing Statistical Process Control Required (total pcs)  
 ● Critical dimension need to be measured, no CPK requirement (total pcs)

- .X± 0.15
- .XX± 0.10
- .XXX± 0.05
- X: ± 5°

PULSE (SUZHOU) WIRELESS PRODUCTS CO.LTD.		THIRD ANGLE PROJECTION		SHEET NUMBER 1 / 1			
 99 HUOLU RD. SUZHOU NEW DISTRICT 215009 P.R.CHINA		GENERAL TOLERANCE					
		CUSTOMER NUMBER					
PRODUCT(S) SW0172N  ITEM TX15004-001(CLIP)		SCALE 4,000		DESIGN	JACKIE	JUN-28-18	
		DOCUMENT NUMBER SW0172N		CHECKED	MARK	Nov-22-17	
		PART VERSION P01		APPROVED	JAMES	Nov-22-17	P3
		DOCUMENT VERSION P3		P2	Oct-26-18		Chris
		MOD		P1	JUN-28-18		JACKIE
		DATE					NAME

## X-ON Electronics

Largest Supplier of Electrical and Electronic Components

*Click to view similar products for [Circuit Board Hardware - PCB category](#):*

*Click to view products by [Pulse manufacturer](#):*

Other Similar products are found below :

[8919-0-00-15-00-00-03-0](#) [0135-0-15-01-30-27-04-0](#) [5970-1-15-01-32-14-04-0](#) [0149-0-15-15-30-27-04-0](#) [MBI 1 BLUE](#) [7305-0-15-15-47-14-10-0](#) [MLN 150/1 BLACK](#) [8579-0-15-80-11-27-10-0](#) [8579-1-15-15-11-27-10-0](#) [8830-0-15-01-22-14-10-0](#) [8836-0-00-21-00-00-03-0](#) [PRUEF 1 RED](#) [PRUEF 2 RED](#) [9976-0-00-00-00-00-03-0](#) [PW1616](#) [1215-3-05-00-00-00-01-0](#) [1231](#) [1303-0-15-15-47-14-04-0](#) [1404-3](#) [1404-4](#) [1406-4](#) [1407-3](#) [1406-3](#) [1407-4](#) [1408-3](#) [1424-4](#) [1427-3](#) [1419-4](#) [1426-4](#) [MPS 1 BLACK](#) [1548-103](#) [1938-0-00-00-00-00-03-0](#) [1942-0-00-00-00-00-03-0](#) [2101-3-00-44-00-00-07-0](#) [2108-2-00-50-00-00-07-0](#) [2109-2-00-44-00-00-07-0](#) [2110-2-00-44-00-00-07-0](#) [2111-2-00-00-00-00-07-0](#) [2113-4-00-44-00-00-07-0](#) [2301-3-00-44-00-00-07-0](#) [2308-1-00-50-00-00-07-0](#) [2313-2-00-00-00-00-07-0](#) [2315-2-01-44-00-00-07-0](#) [2317-2-00-50-00-00-07-0](#) [2333-1-00-50-00-00-07-0](#) [9000-0-00-00-00-00-03-0](#) [2506-2-00-50-00-00-07-0](#) [2507-2-01-44-00-00-07-0](#) [2508-2-00-44-00-00-07-0](#) [2561-2-00-44-00-00-07-0](#)