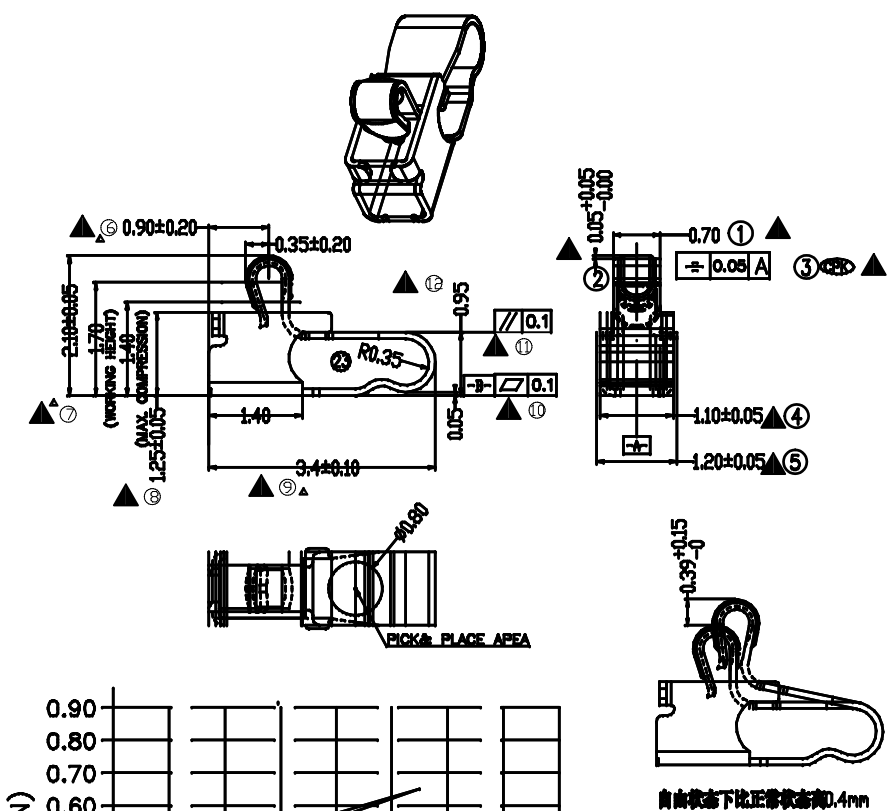
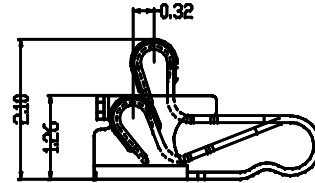
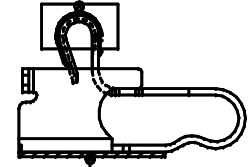


A	B	C	D	E	F	G
MD	Description		Please follow Pulse Limits for the hazardous substances (RoHS, halogens) in the document "Pulse Hazardous Substances (HS) Limits (RPE002-03)" and "Vendor Survey Questionnaire, Material Composition (LDM-SAF-L0040)".	Reliability Test Spec according to WIHS7.5.33 (Reliability Test Working Instruction) Default test standard is Test Standard A if no definition		
P3	Change the Logo					

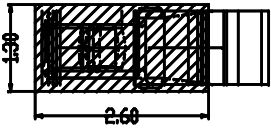


- NOTES:
- MATERIAL: C17480-HT T=0.10mm;
  - PRODUCT BURR NOT MORE THAN 0.02mm, NOT LABELED RADIUS OR ANGLE ACCORDING TO R0.20mm CONTROLS.
  - MARKED WITH ▼ ARE THE KEY DIMENSIONS, THE FIRST DELIVERY OF THE GOODS NEED TO MEASURE THE Mini CPK VALUE, THE VALUE MUST BE GREATER THAN 1.67, DELIVERY NEED ADDITIONAL DIMENSION INSPECTION REPORT EVERY TIME.
  - NOT LABELED TOLERANCE ACCORDING TO NORMAL TOLERANCE OF FRAME MARKED.
  - PLATING: Au 5 u inches MIN. PLATING ON CONTACT AREA, Au 1 u inches MIN. PLATING ON SOLDER AREA, 47u-120u inches NICKEL PLATING OVER ALL.
  - SURFACE OF PLATING PRODUCT WITH NO SCRATCHES, CORROSION, DEFORMATION, RUSTY SPOT, ETC. BETWEEN EACH BATCH OF ELECTROPLATING PRODUCTS DO NOT HAVE CLEAR OFF COLOR, SALT SPRAY TEST MEET 24h, AFTER SOLDER ABILITY, THE SOLDER TAIL SHALL BE COVERED MORE THAN 95% OF IMMERSED AREA WITH FLASH SOLDER. AFTER IR WELDING, BAD PRODUCTS NO DISCOLORATION, BLISTER, ETC. THE PRODUCT WELDING ON THE PCB BOARD, AT 30° ABLIQUE PUSH TENSION GAUGE TO PUSH IT OFF, THE FORCE TO REACH 3kgf/Pin.
  - PRODUCT DURABILITY MEET 5000 CYCLES.
  - ANTI-STATIC BLISTER PACKAGING.
  - THE PRODUCT CONFORMS TO THE HSF.

CONTACT AREA

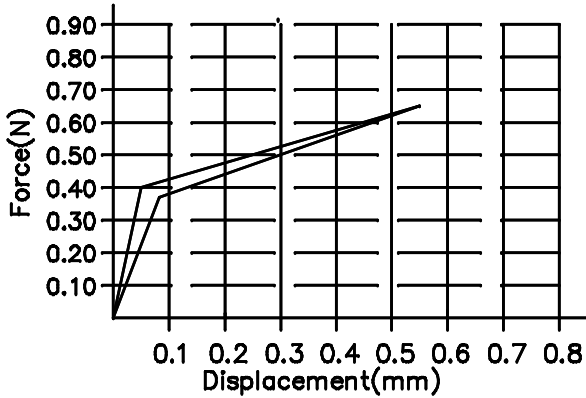


SOLDERTAILS AREA



RECOMMENDED PCB LAYOUT

TOLERANCE: ±0.05



Confidential  
This is a proprietary information of Pulse Suzhou.  
No reproduction/copying is allowed without permission.

Functional Characteristics Key (Cpk requirement : Cpk) >  
 ● Process Capability Studies required ( total pcs )  
 ● Ongoing Statistical Process Control Required ( total pcs )  
 ● Critical dimension need to be measured, no CPK requirement ( total pcs )

- .X ± 0.15
- .XX ± 0.10
- .XXX ± 0.05
- X: ± 5°

PULSE (SUZHOU) WIRELESS PRODUCTS CO.LTD.

**Pulse**  
A MIND Company

99 HUOJU RD. SUZHOU  
NEW DISTRICT  
215009  
P.R.CHINA

PRODUCT(S)  
SW0173N

ITEM  
TX15005-001(CLIP)

THIRD ANGLE PROJECTION	SHEET NUMBER		1 / 1					
	GENERAL TOLERANCE							
SCALE	CUSTOMER NUMBER							
	DESIGN	JACKIE	JUN-28-18					
	CHECKED	MARK	Nov-22-17					
DOCUMENT NUMBER	APPROVED	JAMES	Nov-22-17	P3	March-07-19	CHRIS		
	PART VERSION	P01	DOCUMENT VERSION	P3	P2	Oct-26-18	Chris	
				P1	JUN-28-18	JACKIE		
				MOD	DATE	NAME		

## X-ON Electronics

Largest Supplier of Electrical and Electronic Components

*Click to view similar products for [Circuit Board Hardware - PCB category](#):*

*Click to view products by [Pulse manufacturer](#):*

Other Similar products are found below :

[8919-0-00-15-00-00-03-0](#) [0135-0-15-01-30-27-04-0](#) [5970-1-15-01-32-14-04-0](#) [0149-0-15-15-30-27-04-0](#) [MBI 1 BLUE](#) [7305-0-15-15-47-14-10-0](#) [MLN 150/1 BLACK](#) [8579-0-15-80-11-27-10-0](#) [8579-1-15-15-11-27-10-0](#) [8830-0-15-01-22-14-10-0](#) [8836-0-00-21-00-00-03-0](#) [PRUEF 1 RED](#) [PRUEF 2 RED](#) [9976-0-00-00-00-00-03-0](#) [PW1616](#) [1215-3-05-00-00-00-01-0](#) [1231](#) [1303-0-15-15-47-14-04-0](#) [1404-3](#) [1404-4](#) [1406-4](#) [1407-3](#) [1406-3](#) [1407-4](#) [1408-3](#) [1424-4](#) [1427-3](#) [1419-4](#) [1426-4](#) [MPS 1 BLACK](#) [1548-103](#) [1938-0-00-00-00-00-03-0](#) [1942-0-00-00-00-00-03-0](#) [2101-3-00-44-00-00-07-0](#) [2108-2-00-50-00-00-07-0](#) [2109-2-00-44-00-00-07-0](#) [2110-2-00-44-00-00-07-0](#) [2111-2-00-00-00-00-07-0](#) [2113-4-00-44-00-00-07-0](#) [2301-3-00-44-00-00-07-0](#) [2308-1-00-50-00-00-07-0](#) [2313-2-00-00-00-00-07-0](#) [2315-2-01-44-00-00-07-0](#) [2317-2-00-50-00-00-07-0](#) [2333-1-00-50-00-00-07-0](#) [9000-0-00-00-00-00-03-0](#) [2506-2-00-50-00-00-07-0](#) [2507-2-01-44-00-00-07-0](#) [2508-2-00-44-00-00-07-0](#) [2561-2-00-44-00-00-07-0](#)