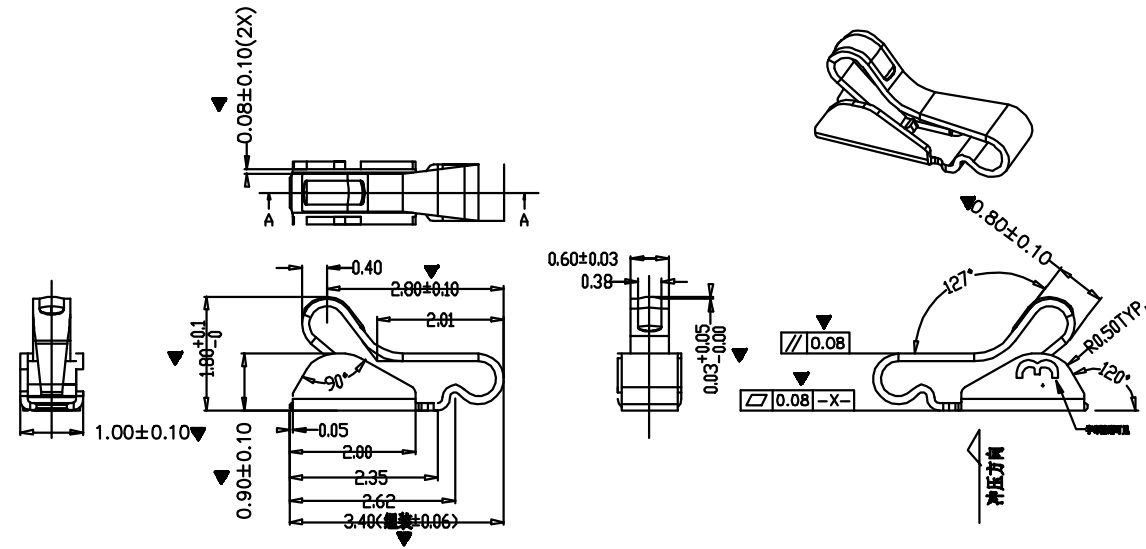
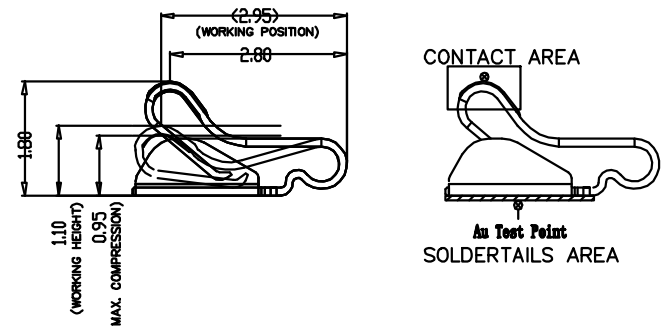
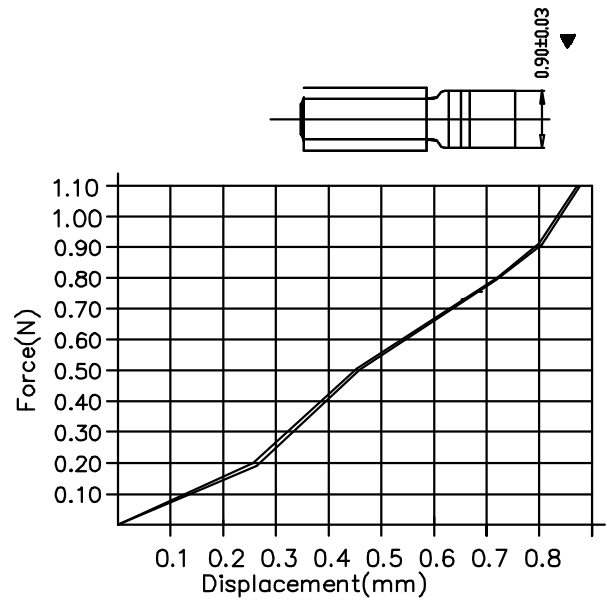


A	B	C	D	E	F	G
MD	Description		Please follow Pulse Limits for the hazardous substances (RoHS, halogens) in the document "Pulse Hazardous Substances (HS) Limits (RPE002-03)" and "Vendor Survey Questionnaire, Material Composition (LDM-SAF-L0040)".	Reliability Test Spec according to WIHS7.5.33 (Reliability Test Working Instruction) Default test standard is Test Standard A if no definition		
P2	Change the Logo					




- 备注:
- 1.材料: NICT22-2H 0.12*15.00mm(TW);
 - 2.接触面状: 50MΩ MAX;
 - 3.侧面未标注的圆角/尖角按照R0.2mm管控;
 - 4.端子毛刺不超过0.03mm;
 - 5.标注▽为重点检验尺寸, ⊙为CPK尺寸, 首次批量交货需做minCPK, CPK值≥1.33, 每次交货需附尺寸检验报告;
 - 6.机械性能: 端子触点以20mm每分钟速度下压0.40mm, 正向力0.60N MIN.; 下压0.60mm, 正向力1.10~2.00N; 端子下压0.65mm, 耐久1000次, 力量衰减不超过10% (量产品不超过20%) .
 - 7.端子电性能: 接触区域镀金10u" MIN.
焊接区域镀金3u" MIN.
底衬整体镀Ni 50u" MIN.
 - 8.环境要求: 盐雾测试要求: 接触区域满足94H; 其它区域2H (无氧化、生锈、20X的显微缺陷) 电镀面积覆盖率要达到95%以上, 将产品焊接在PCB板上, 用拉力计测试及从底部平滑将其推掉, 其推力需>3.0Kgf/pln; 冲制P后, 产品无变色、起翘、层皮等不良现象;
 - 9.包装: T&R包装
 - 10.其它: 产品符合HSF标准
 - 11.冲制-电镀-烘烤-包装-(SMT).
 - 12.冲压编号: MJ-287, 薄片印 "9" 字以示区分.



Confidential
This is a proprietary information of Pulse Suzhou.
No reproduction/copying is allowed without permission.

Functional Characteristics Key (Cpk requirement : Cpk) >
 ◆ Process Capability Studies required (total pcs)
 ◆ Ongoing Statistical Process Control Required (total pcs)
 ◆ Critical dimension need to be measured, no CPK requirement (total pcs)

- .X± 0.15
- .XX± 0.10
- .XXX± 0.05
- X.*± 5°

PULSE (SUZHOU) WIRELESS PRODUCTS CO.,LTD.

 99 HUOJU RD. SUZHOU
 NEW DISTRICT
 215009
 P.R.CHINA

PRODUCT(S)
SW0178N

ITEM
TX16056-001(CLIP)

THIRD ANGLE PROJECTION	SHEET NUMBER		1 / 1	
	GENERAL TOLERANCE			
SCALE	CUSTOMER NUMBER			
	DESIGN	JACKIE	JUN-28-18	
	CHECKED	MARK	Nov-22-17	
DOCUMENT NUMBER	APPROVED	JAMES	Nov-22-17	
	PART VERSION		P01	
DOCUMENT VERSION		P2		
MOD	DATE	MARCH-07-19	CHRIS	
		JUN-28-18	JACKIE	

X-ON Electronics

Largest Supplier of Electrical and Electronic Components

Click to view similar products for [Circuit Board Hardware - PCB category](#):

Click to view products by [Pulse manufacturer](#):

Other Similar products are found below :

[8919-0-00-15-00-00-03-0](#) [0135-0-15-01-30-27-04-0](#) [5970-1-15-01-32-14-04-0](#) [0149-0-15-15-30-27-04-0](#) [MBI 1 BLUE](#) [7305-0-15-15-47-14-10-0](#) [MLN 150/1 BLACK](#) [8579-0-15-80-11-27-10-0](#) [8579-1-15-15-11-27-10-0](#) [8830-0-15-01-22-14-10-0](#) [8836-0-00-21-00-00-03-0](#) [PRUEF 1 RED](#) [PRUEF 2 RED](#) [9976-0-00-00-00-00-03-0](#) [PW1616](#) [1215-3-05-00-00-00-01-0](#) [1231](#) [1303-0-15-15-47-14-04-0](#) [1404-3](#) [1404-4](#) [1406-4](#) [1407-3](#) [1406-3](#) [1407-4](#) [1408-3](#) [1424-4](#) [1427-3](#) [1419-4](#) [1426-4](#) [MPS 1 BLACK](#) [1548-103](#) [1938-0-00-00-00-00-03-0](#) [1942-0-00-00-00-00-03-0](#) [2101-3-00-44-00-00-07-0](#) [2108-2-00-50-00-00-07-0](#) [2109-2-00-44-00-00-07-0](#) [2110-2-00-44-00-00-07-0](#) [2111-2-00-00-00-00-07-0](#) [2113-4-00-44-00-00-07-0](#) [2301-3-00-44-00-00-07-0](#) [2308-1-00-50-00-00-07-0](#) [2313-2-00-00-00-00-07-0](#) [2315-2-01-44-00-00-07-0](#) [2317-2-00-50-00-00-07-0](#) [2333-1-00-50-00-00-07-0](#) [9000-0-00-00-00-00-03-0](#) [2506-2-00-50-00-00-07-0](#) [2507-2-01-44-00-00-07-0](#) [2508-2-00-44-00-00-07-0](#) [2561-2-00-44-00-00-07-0](#)