

Q1 Standard MP-A6 Triple Transmit Wireless Charge Coil

Pulse Part Number SWW174N



Features

- Magnetic Coil: antifreeze plate + coil
- Meet the Qi international standard
- Antifreeze film of transmitter is injection molding ,make use of V-ON material, unzerbrechlich, breakage proof, every shape suitable
- Length and gap of the outgoing line is customizability

Application

-Wireless charge Tx

Q1 Standard MP-A6 Triple Transmit Wireless Charge Coil

Pulse Part Number SWW174N

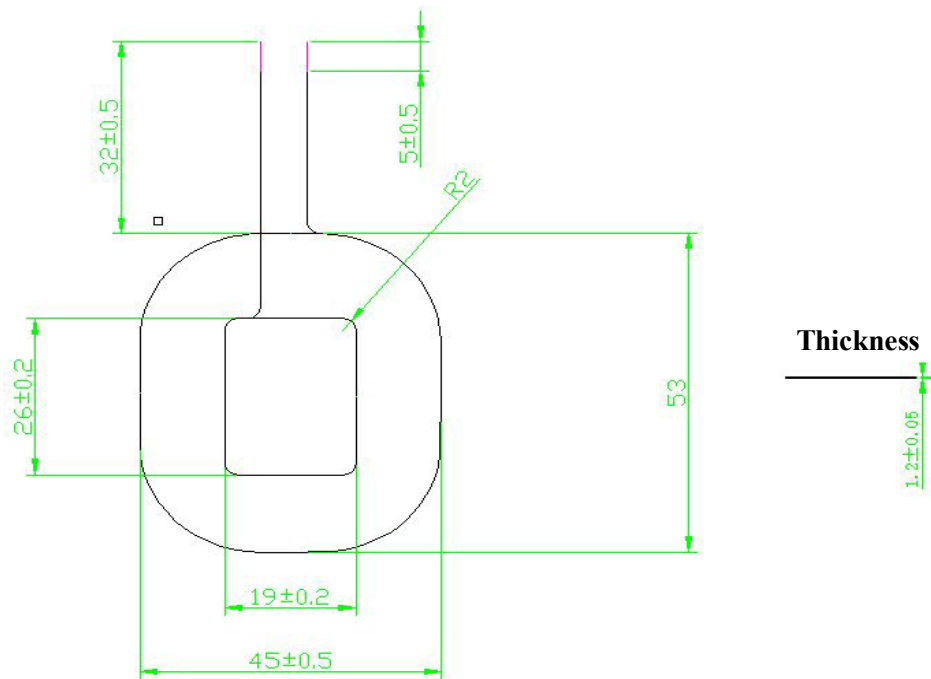
Electrical specifications

Standard Voltage(V)	5/12V
Max Current (A)	1~2A
DC Resistance (mΩ)	80±10%
Inductance(uH)	11.3 ± 10%/13.9 ± 10%
Q	>70
Wire Diameter (mm)	0.07*105 strands cotton-insulated wire
Testing Environment	100KHZ/1V

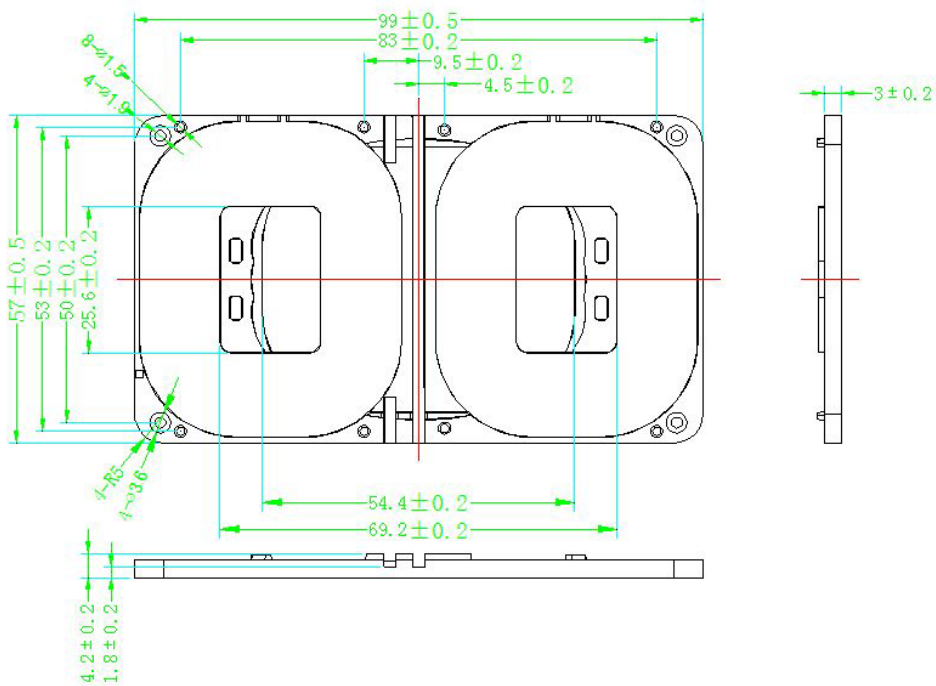
Q1 Standard MP-A6 Triple Transmit Wireless Charge Coil

Pulse Part Number SWW174N

Mechanical dimensions



Coil



Antifreeze plate

Contact: mobiledeviceantenna.sales@pulseelectronics.com

QI Standard MP-A6 Triple Transmit Wireless Charge Coil

Pulse Part Number: SWW174N

Packing

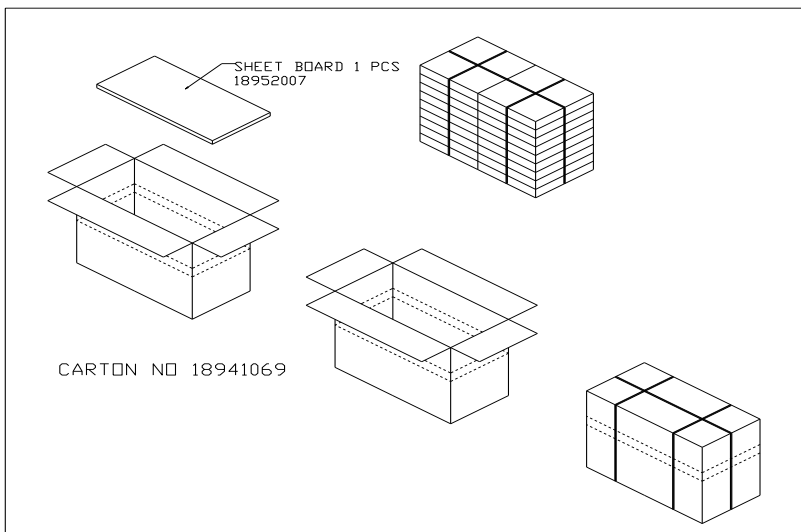
- Put 1pc product in the poly bag, then add the info label.
- Align the finished goods into the tray.
- Cardboard sheet under and on the top of the tray stack in the tray stack. Every second tray must be rotated 180 degrees, binding of the stack-1 strap lengthwise and 2 strap crosswise.
- Add foam paper between two trays.
- First put down 1pc sheet board in box, then put binding tray in box, empty 1 pc on the top of the box.
- Binding of the carton: scaled with tape, 1 strap length wise and 2 strap crosswise.



Label content:

P/N:
Project Name:
Inductance:

- P/N, e.g. SWA1380
- Project Name, e.g. A6
- Wireless Charge Coil
- Inductance, e.g. 12.5uH



X-ON Electronics

Largest Supplier of Electrical and Electronic Components

Click to view similar products for [Wireless Charging Coils](#) category:

Click to view products by [Pulse](#) manufacturer:

Other Similar products are found below :

[WM5V](#) [WR383245-17F5-G](#) [SWC4242KB120-100](#) [IWAS3222CZEB190JF1](#) [WR222230-26M8-G](#) [146179-4011](#) [AWCCA107T52H40C01B](#)
[AWCCA-15N15H06-C01-B](#) [AWCCA-18R18H10-C01-B](#) [AWCCA-26R26H08-C01-B](#) [AWCCA-28R15H08-C01-B](#) [AWCCA-30N30H20-C01-](#)
[B](#) [AWCCA-36R36H08-C51-B](#) [AWCCA-37R37H18-C01-B](#) [AWCCA-42R38H08-C03-B](#) [AWCCA-50N50H16-C51-B](#) [AWCCA-50N50H30-](#)
[C21-B](#) [AWCCA50N50H35C01B](#) [AWCCA50N50H50C01B](#) [AWCCA53N53H50C01B](#) [AWCCA53N53H50C02B](#) [AWCCA-RX350300-101](#)
[AWCCA-RX404012-102](#) [DFR0712](#) [SWM1390](#) [SWW174N](#) [WMRR124F-1](#) [WMRR124F-2](#) [WMRR132F-0](#) [WMRR138F-0](#) [WMRR147F-1](#)
[WMRT130F-0](#) [WMRT399A-0](#) [WR111180-36F5-B1](#) [WR111180-49F5-G](#) [WR121210-27M8-ID](#) [WR202010-18M8-ID](#) [WR202010-18M8-SM](#)
[WR202020-18M8-G](#) [WR221230-36M8-G](#) [WR303050-12F5-ID](#) [WR303050-15F5-G](#) [WR444025-17M6-G](#) [WR464650-10K2-FS3](#) [WR483245-](#)
[15F5-G](#) [WR483265-13F5-G](#) [WR483265-15F5-G](#) [WR524825-17M6-NF-G](#) [WR524830-16F3-NF-G](#) [WR555540-16K2-FS2](#)