

# T1/E1/CEPT/ISDN-PRI TRANSFORMERS

## Dual SMT Low Height Package



**NEW Low Height Package!**



- New low height design: only 0.17 inches tall
- Well suited for low height and compact PCI applications
- Matched to PMC-Sierra's PM4351 COMET Transceiver
- Dual SMT package contains both transmit and receive transformers
- Isolation voltage: 1500Vrms
- SMT package withstands 235°C solder reflow temperature

### Electrical Specifications @ 25°C

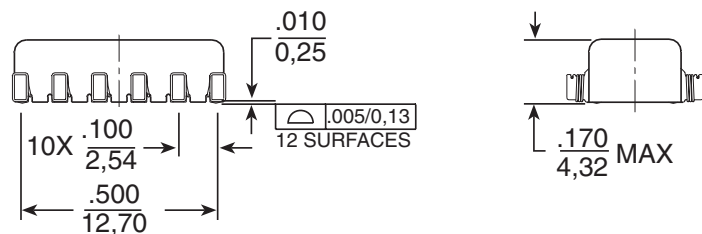
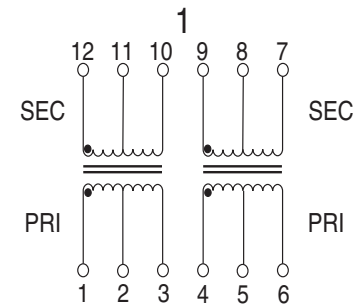
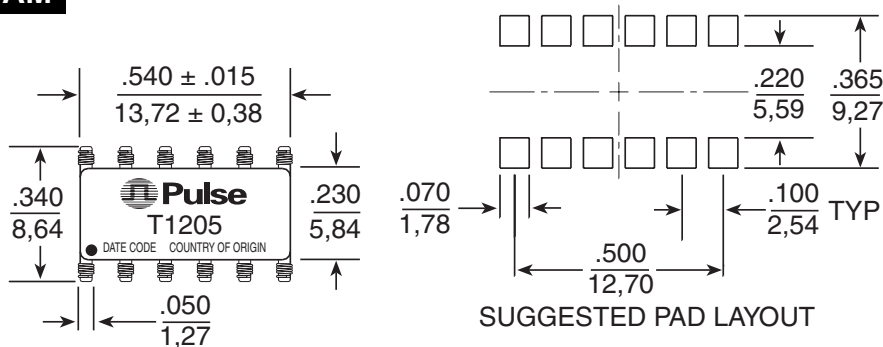
Part No.	Turns Ratio (Pri:Sec±2%)	OCL (mH MIN)	C <sub>w/w</sub> (pF MAX)	L <sub>L</sub> (μH MAX)	DCR Pri (Ω MAX)	DCR Sec (Ω MAX)	Package/ Schematic	Primary Pins
T1205	1CT:2.42CT & 1CT:2.42CT	1.20 & 1.20	30 & 30	.60 & .60	0.70 & 0.70	1.20 & 1.20	SAM/1	1-3, 4-6

**NOTE:** Optional Tape & Reel packaging can be ordered by adding a "T" suffix to the part number, (i.e. T1205T). Other models available. Contact Pulse Applications Engineering.

### Mechanical

### Schematic

#### SAM



Weight .....0.56 grams  
 Tape & Reel .....1000/reel  
 Tube ......35/tube

Dimensions: Inches  
 mm  
 Unless otherwise specified,  
 all tolerances are ± .010  
 0,25

### For More Information:

#### Pulse Worldwide Headquarters

12220 World Trade Drive  
 San Diego, CA 92128  
 U.S.A.

[www.pulseeng.com](http://www.pulseeng.com)  
 TEL: 858 674 8100  
 FAX: 858 674 8262

#### Pulse Northern Europe

3 Huxley Road  
 Surrey Research Park  
 Guildford, Surrey GU2 5RE  
 United Kingdom

TEL: 44 1483 401700  
 FAX: 44 1483 401701

#### Pulse Southern Europe

Zone Industrielle  
 F-39270  
 Orgelet  
 France

TEL: 33 3 84 35 04 04  
 FAX: 33 3 84 25 46 41

#### Pulse China Headquarters

No. 1  
 Industrial District  
 Changan, Dongguan  
 China

TEL: 86 769 5538070  
 FAX: 86 769 5538870

#### Pulse North China

Room 1002  
 No. 819  
 Nanjing West Rd  
 Shanghai  
 China

TEL: 86 21 32181071  
 FAX: 86 21 32181396

#### Pulse South Asia

150 Kampong Ampat  
 #07-01/02  
 KA Centre  
 Singapore 368324

TEL: 65 6287 8998  
 FAX: 65 6280 0080

#### Pulse North Asia

3F-4, No. 81, Sec. 1  
 Hsin Tai Wu Road  
 Hsi-Chih  
 Taipei Hsien  
 Taiwan

TEL: 886 2 26980228  
 FAX: 886 2 26980948

Performance warranty of products offered on this data sheet is limited to the parameters specified. Data is subject to change without notice. Other brand and product names mentioned herein may be trademarks or registered trademarks of their respective owners.

© Copyright, 2006. Pulse Engineering, Inc. All rights reserved.

[www.pulseeng.com](http://www.pulseeng.com)

T652.A (1/06)

## X-ON Electronics

Largest Supplier of Electrical and Electronic Components

*Click to view similar products for [Transformers Audio & Signal category](#):*

*Click to view products by [Pulse manufacturer](#):*

Other Similar products are found below :

[CX2041NLT](#) [MGPWT-00449-P](#) [PL2615NL](#) [H1302FNLT](#) [H5012FNL](#) [H5077NLT](#) [H5084FNLT](#) [E4001NLT](#) [BX1194WNL](#) [HX2260FNL](#)  
[HX5014FNL](#) [PA2437NL](#) [EX2024FNL](#) [T1049NL](#) [PE-65848FNLT](#) [PE-68023NL](#) [PH0905NL](#) [H1174FNL](#) [H1302FNL](#) [H5015FNL](#)  
[H5062FNLT](#) [CX2047LNL](#) [MGPWT-00266-P](#) [MGPWT-00278-P](#) [MGPWT-00431-P](#) [BX1194WNLT](#) [HX5019FNL](#) [HX5084NL](#) [TX1263NLT](#)  
[4-1879391-0](#) [PA0173NLT](#) [PA1284NLT](#) [T1142NL](#) [T60403-Y4021-X115](#) [HX6101FNL](#) [HX1148NL](#) [HX5020FNLT](#) [HX5014FNLT](#)  
[T1124NL](#) [B8846NL](#) [TX1267NLT](#) [TX1341NL](#) [H0013FNL](#) [H1270FNLT](#) [H2009FNL](#) [H5008FNLT](#) [H7008FNLT](#) [H5004NLT](#) [H5084FNL](#)  
[H7008FNL](#)