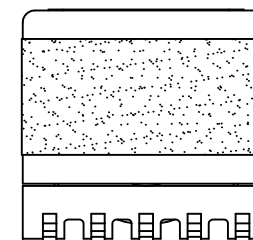
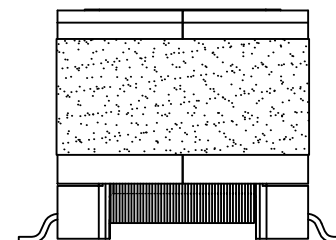
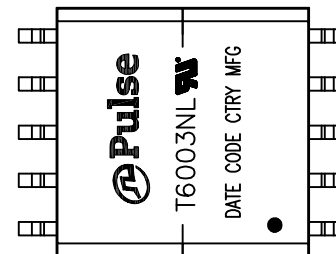


NOTES:

1. ROHS COMPLIANT
2. STORAGE TEMPERATURE: -20°C TO +125°C
3. COMPLIANCE TO J-STD:
  - A. J-STD-002: SOLDERABILITY AT 245°C REFLOW PROFILE
  - B. J-STD-020: LEVEL 1, NO MOISTURE SENSITIVE
  - C. J-STD-075: R7, 245°C MAXIMUM THROUGH REFLOW SOLDER
4. TO ORDER TAPE & REEL PACKAGING ADD A "T" SUFFIX TO THE PART NUMBER(i.e T6003NL BECOMES T6003NLT).

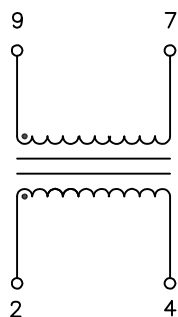


FINAL OUTLINE

© Copyright, 2016. Pulse Electronics Corp. All rights reserved. Pulse confidential & proprietary. (02/18/16)

| PRODUCT DESCRIPTION     | TLA DRAWING | PS DRAWING    | SHEET  | PART NO. | DATASHEET REV. |
|-------------------------|-------------|---------------|--------|----------|----------------|
| XFMR,SGL,AUD,EP13S,235C | T6003NL-12  | PS-2279.001-A | 1 OF 3 | T6003NL  | A              |

ELECTRICAL CHARACTERISTICS AT +25°C UNLESS OTHER SPECIFIED

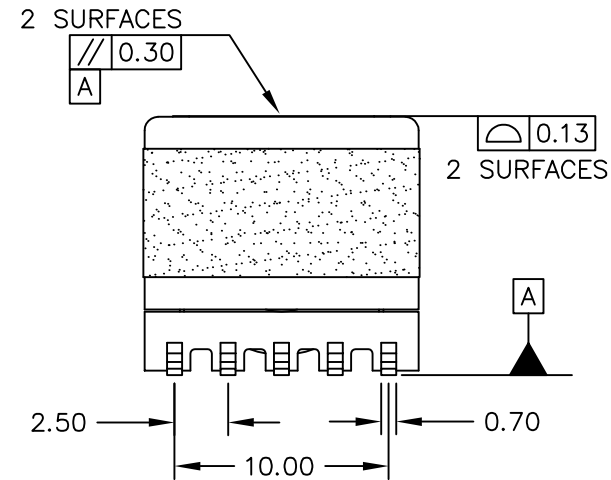
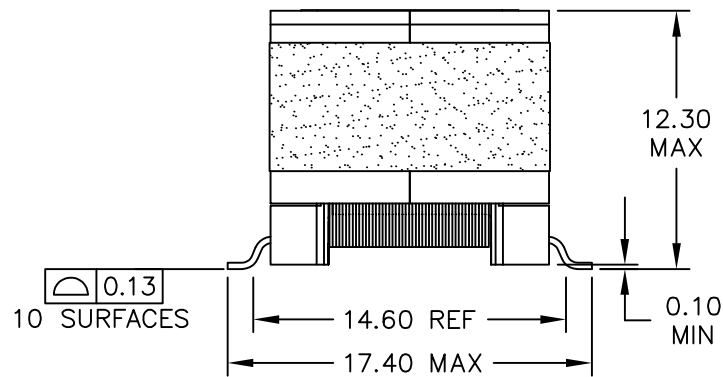
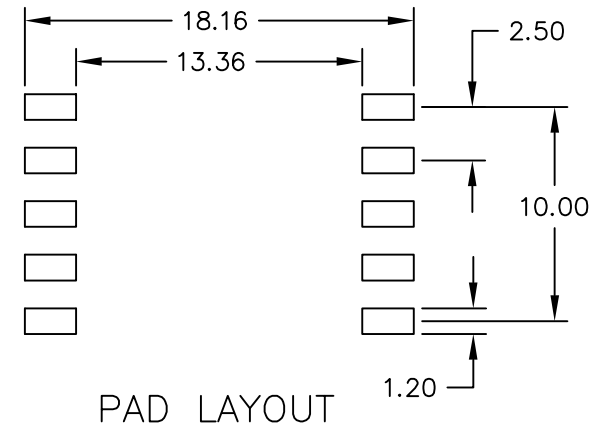
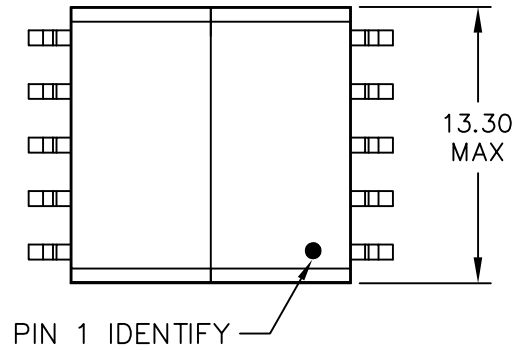


SCHEMATIC

| PARAMETER                                     | SPECIFICATIONS  |
|---|---|
| OPERATING TEMPERATURE                         | 0°C ~ 70°C  |
| POLARITY                                      | PER SCHEMATIC   |
| TURNS RATIO<br>@ 1 KHz, 1 VRMS                | $\frac{(2-4)}{(9-7)} = 1.0 \pm 2\%$                                 |
| INDUCTANCE (OCL)<br>@ 200 Hz, 1 VRMS, .1 mADC | (2-4) = 1.5 H MINIMUM   |
| DC RESISTANCE                                 | (2-4) = 55 OHMS MAXIMUM<br>(9-7) = 70 OHMS MAXIMUM                  |
| LEAKAGE INDUCTANCE<br>@ 1 KHz, 1 VRMS         | (2-4) WITH (9-7) SHORTED = 2 mH MAXIMUM                             |
| CWW<br>@ 1 KHz, 1 VRMS                        | (2-4) TO (9-7) = 30 pF MAXIMUM.                                     |
| HIPOT   | (2,4) TO (7,9) = 1500 VRMS FOR 1 MINUTE, OR 1650 VRMS FOR 6 SECONDS |

© Copyright, 2016. Pulse Electronics Corp. All rights reserved. Pulse confidential & proprietary. (02/18/16)

| PRODUCT DESCRIPTION     | TLA DRAWING | PS DRAWING    | SHEET  | PART NO. | DATASHEET REV. |
|-------------------------|-------------|---------------|--------|----------|----------------|
| XFMR,SGL,AUD,EP13S,235C | T6003NL-12  | PS-2279.001-A | 2 OF 3 | T6003NL  | A              |



DIMENSIONS ARE IN MM WITH THE FOLLOWING  
TOLERANCES:  $\pm 0.10$

© Copyright, 2016. Pulse Electronics Corp. All rights reserved. Pulse confidential & proprietary. (02/18/16)

| PRODUCT DESCRIPTION     | TLA DRAWING | PS DRAWING    | SHEET  | PART NO. | DATASHEET REV. |
|-------------------------|-------------|---------------|--------|----------|----------------|
| XFMR,SGL,AUD,EP13S,235C | T6003NL-12  | PS-2279.001-A | 3 OF 3 | T6003NL  | A              |

## X-ON Electronics

Largest Supplier of Electrical and Electronic Components

*Click to view similar products for [Audio Transformers](#) / [Signal Transformers](#) category:*

*Click to view products by [Pulse manufacturer](#):*

Other Similar products are found below :

[CX2041NLT](#) [MGPWT-00449-P](#) [PE-64961](#) [H1302FNLT](#) [H5008FNL](#) [H5012FNL](#) [H5020FNLT](#) [H5077NLT](#) [H5084FNLT](#)  
[B78476A9558A003](#) [1812WBT2-4](#) [1879479-1](#) [HX2260FNL](#) [HX5014FNL](#) [EX2024FNL](#) [FL1066](#) [T1137NLT](#) [T3012NL](#) [PE-65812FNL](#) [PE-65848FNLT](#) [H1174FNL](#) [H1302FNL](#) [H5015FNL](#) [H5019EFNL](#) [H5062FNLT](#) [CX2047LNL](#) [MGPWT-00059-P](#) [MGPWT-00266-P](#) [MGPWT-00278-P](#) [MGPWT-00431-P](#) [TTC-100](#) [TTC-143-H](#) [TTC-5032-1](#) [BX1194WNLT](#) [HX1234NLT](#) [HX5008FNLT](#) [HX5019FNL](#) [HX5084NL](#) [3-1879385-5](#) [TX1263NLT](#) [4-1879391-0](#) [T1142NL](#) [HX6101FNL](#) [HX5084FNL](#) [HX1148NL](#) [HX5020FNLT](#) [HX5014FNLT](#) [T1124NL](#)  
[1879732-1](#) [2-1879391-5](#)