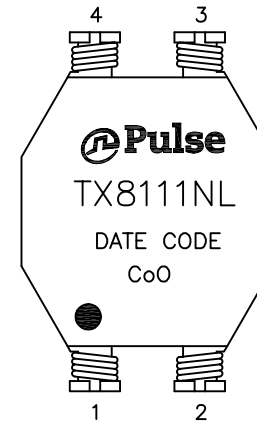
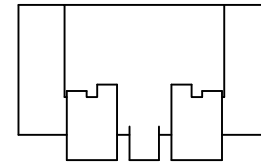
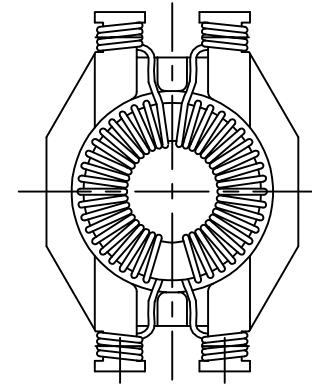


NOTES:

1. ROHS COMPLIANT
2. PLASTIC: THERMOPLASTIC MATERIAL WITH FLAMMABILITY RATING UL 94V-0 OR BETTER.
3. STORAGE TEMPERATURE: -50°C TO +125°C
4. COMPLIANCE TO J-STD:
 - A. J-STD-002: SOLDERABILITY AT 245°C REFLOW PROFILE
 - B. J-STD-020: LEVEL 1, NO MOISTURE SENSITIVE
 - C. J-STD-075: R7, 245°C MAXIMUM THROUGH REFLOW SOLDER
5. TO ORDER TAPE & REEL PACKAGING ADD A "T" SUFFIX TO THE PART NUMBER(i.e TX8111NL BECOMES TX8111NLT).

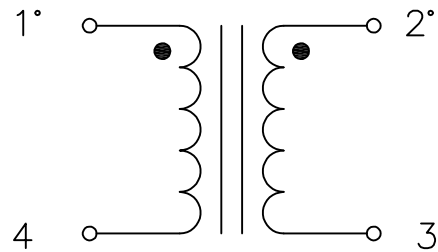


FINAL OUTLINE

© Copyright, 2015. Pulse Electronics Corp. All rights reserved. Pulse confidential & proprietary. (12/23/15)

PRODUCT DESCRIPTION	TLA DRAWING	PS DRAWING	SHEET	PART NO.	DATASHEET REV.
CMI 2 x 51 uH - SHASTA	TX8111NL-11	-	1 OF 3	TX8111NL	A

ELECTRICAL CHARACTERISTICS MEASURED AT 25°C :
(FOR REFERENCE ONLY. USED FOR CUSTOMER INFORMATION.)

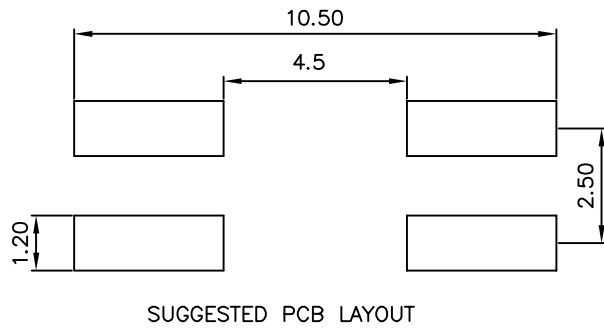


SCHEMATIC

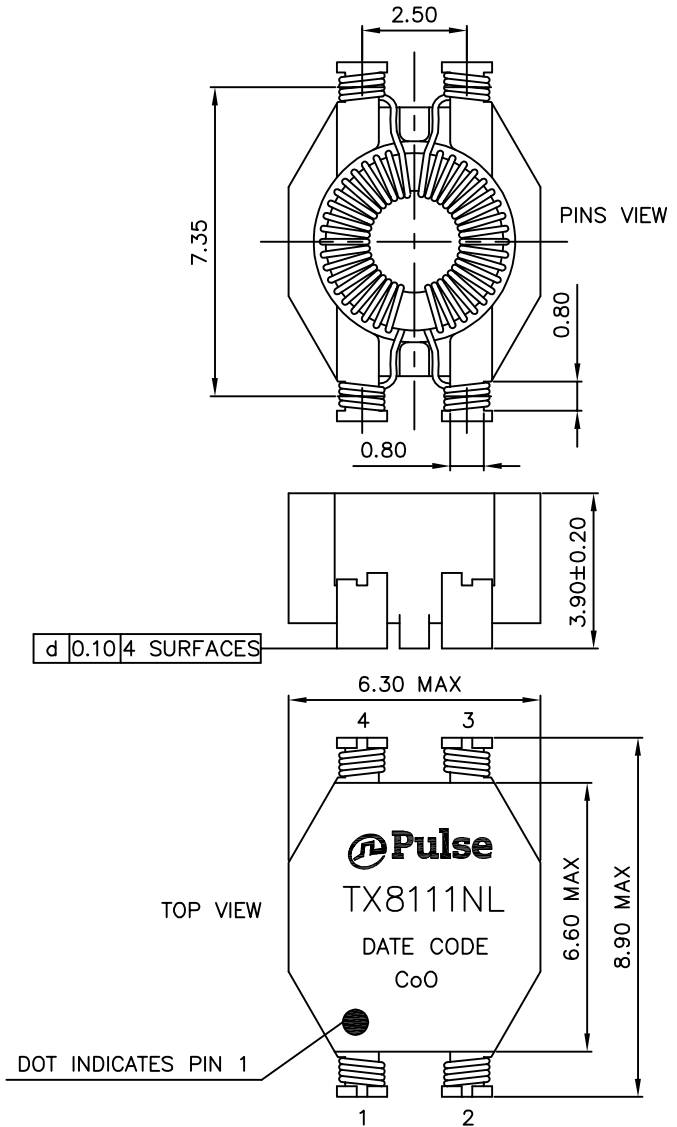
PARAMETER	SPECIFICATION
OPERATING TEMPERATURE	-40°C TO +85°C
URNS RATIO @100KHz, 0.1VRMS	$\frac{(1-4)}{(2-3)} = 1.0 \pm 5\%$
OPEN CIRCUIT INDUCTANCE (OCL) @100KHz, 0.005VRMS	(1-4) = 51uH $\begin{matrix} +50\% \\ -30\% \end{matrix}$
LEAKAGE INDUCTANCE (LL): @100 KHz, 0.01 VRMS	(1-4) WITH (2-3) SHORTED = 2 uH NOMINAL = 3 uH MAXIMUM
DCR	(1-4) = (2-3) = 0.2 OHM MAXIMUM.
HIPOT	500 VAC FOR 6 SECONDS

© Copyright, 2015. Pulse Electronics Corp. All rights reserved. Pulse confidential & proprietary. (12/23/15)

PRODUCT DESCRIPTION	TLA DRAWING	PS DRAWING	SHEET	PART NO.	DATASHEET REV.
CMI 2 x 51 uH - SHASTA	TX8111NL-11	-	2 OF 3	TX8111NL	A



DIMENSIONS ARE IN MILLIMETERS WITH THE FOLLOWING TOLERANCES:
 X.X= ±0.5
 X.XX= ±0.25



© Copyright, 2015. Pulse Electronics Corp. All rights reserved. Pulse confidential & proprietary. (12/23/15)

PRODUCT DESCRIPTION	TLA DRAWING	PS DRAWING	SHEET	PART NO.	DATASHEET REV.
CMI 2 x 51 uH – SHASTA	TX8111NL-11	–	3 OF 3	TX8111NL	A

X-ON Electronics

Largest Supplier of Electrical and Electronic Components

Click to view similar products for [Common Mode Chokes / Filters](#) category:

Click to view products by [Pulse manufacturer](#):

Other Similar products are found below :

[74279408](#) [PE-62911NL](#) [PE-64683](#) [ST6118T-R](#) [T8114NLT](#) [RD5122-10-6M0](#) [TCM0806G-350-2P-T](#) [TCM0806G-650-2P-T](#) [IND-0110](#)
[UAL21V07012500](#) [UAL24VR06500CH](#) [UALSC023000000](#) [UALSC1020JH000](#) [UALSC1520JH000](#) [UALSU16VD30030](#)
[UALSU16VD40010](#) [UALSU9H0305000](#) [UALSU9HF060300](#) [UALSU9VD070100](#) [36-00037](#) [5701610000](#) [UALW21HS072450](#)
[UALSU9VD070400](#) [UALSU9HF050500](#) [UALSU9H0208000](#) [UALSCF25081300](#) [UAL24VK06450CH](#) [PLT10HH501100PNB](#)
[PLT10HH401100PNB](#) [PLT10HH1026R0PNB](#) [PE-67531](#) [EXC-X4CH120X](#) [TLH10UB 113 0R5](#) [2752041447](#) [2752045447](#) [CMS3-11-R](#)
[7351V](#) [CMF16-153131](#) [744252510](#) [T8116NLT](#) [FE2X10-4-2NL](#) [744253200](#) [744253101](#) [744252220](#) [TX8111NLT](#) [UAL30VR3500470](#)
[CTX01-19077-R](#) [T8003NLT](#) [CTX01-13663](#) [CTX66-19521-R](#)