

Ferrite-backed Embedded NFC Antenna

Pulse Part Number W3579



The W3579 is a flexible Near Field Communication (NFC) antenna ideal for tight-space embedded products such as tablets, laptops, and payment terminal devices. It is intended for secure payment or security access applications where connect distances are constricted to keep sensitive information safe.

The W3579 has a semi-flexible sintered ferrite backing designed to optimize magnetic fields, thus increasing the corresponding field strength of the antenna. The W3579 is a thin, flexible antenna that can be fed with customer-supplied spring clips, contacts, direct-solder methods or with the use of Pulse's own W9908/W9909 C-clips. Mounting the antenna is easily accomplished using the thin but aggressive holding adhesive backing. Recommended for mounting on the inside of battery covers, or locations where the antenna will be on or in close proximity to ground planes or displays.

Features

- Excellent performances on metal surfaces
- Thin, semi-flexible structure
- Easily assembles to device covers or mechanics
- Well-known antenna concept, reliable technology
- RoHS compliant product

Applications

- Mobile devices
- Payment terminals
- Sharing / pairing

Electrical Specifications

Frequency [MHz]*	13.56
Reading Distance [mm]*	40 EMVCo 28 Grid Scan (avg)
Impedance [Ω]*	50 / 80
Self Resonance Frequency [MHz]**	42
Inductance [μ H]**	1.6
Resistance [Ω]**	3.60
Q-Factor**	37.8
Matched Q Value***	5-30

Environmental Specifications

Operating Temperature [$^{\circ}$ C]	-40 to +85
---------------------------------------	------------

Mechanical Specifications

Color	Black
Dimensions [in/mm]	1.38 x 1.97 x 0.012 (35 x 50 x 0.30)

NOTE: Electrical characteristics depend on distance from metal objects and the location of the antenna on the device. Measured in free space

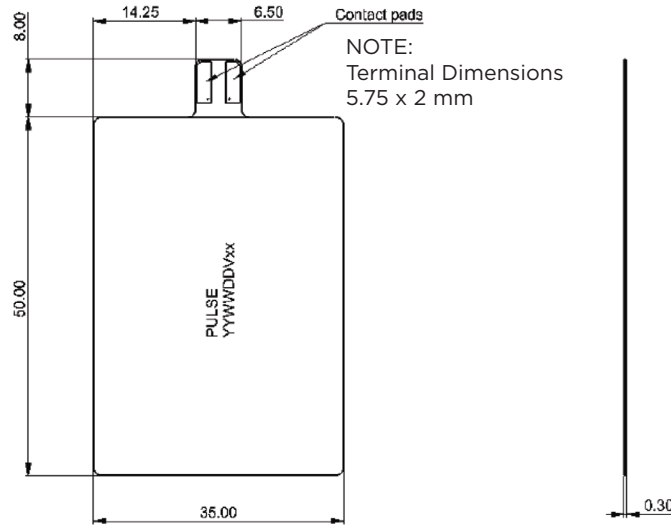
* With matching network

** Bare coil without any matching network

*** With matching network (adjustable). Typical network picture refer to page 2.

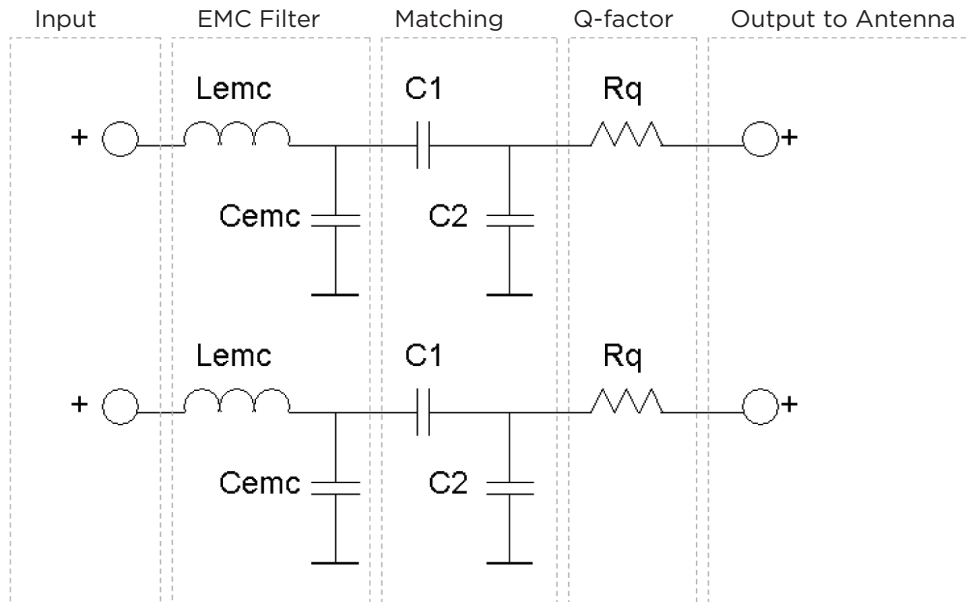
Ferrite-backed Embedded NFC Antenna

Pulse Part Number W3579



Recommended matching network

Component	Value	Note
L _{mc}	560 nH	Filter resonance at 15.4 MHz
C _{mc}	180 pF	Filter resonance at 15.4 MHz
C1	25 pF	Antenna matching component, value depends on the antenna environment Antenna matching
C2	180 pF	Antenna matching component, value depends on the antenna environment Antenna matching
R _q	0 Ohm	R _q resistors used to lower Q-value



X-ON Electronics

Largest Supplier of Electrical and Electronic Components

Click to view similar products for [Antennas](#) category:

Click to view products by [Pulse](#) manufacturer:

Other Similar products are found below :

[GAN30084EU](#) [930-033-R](#) [GW17.07.0250E](#) [1513563-1](#) [EXE902SM](#) [APAMPG-117](#) [MAF94383](#) [W3908B0100](#) [W6102B0100](#) [YE572113-30RSMM](#) [108-00014-50](#) [66089-2406](#) [SPDA17RP918](#) [A09-F8NF-M](#) [A09-F5NF-M](#) [RGFRA1903041A1T](#) [W3593B0100](#) [W3921B0100](#) [SIMNA-868](#) [SIMNA-915](#) [SIMNA-433](#) [W1044](#) [W1049B090](#) [A75-001](#) [WTL2449CQ1-FRSMM](#) [CPL9C](#) [EXB148BN](#) [0600-00060](#) [TRA9020S3PBN-001](#) [Y4503](#) [GD5W-28P-NF](#) [MA9-7N](#) [GD53-25](#) [GD5W-21P-NF](#) [C37](#) [MAF94051](#) [MA9-5N](#) [EXD420PL](#) [B1322NR](#) [QWFTB120](#) [MAF94271](#) [MAF94300](#) [GPSMB301](#) [FG4403](#) [AO-AGSM-OM54](#) [5200232](#) [MIKROE-2349](#) [WCM.01.0111](#) [MIKROE-2393](#) [MIKROE-2352](#)