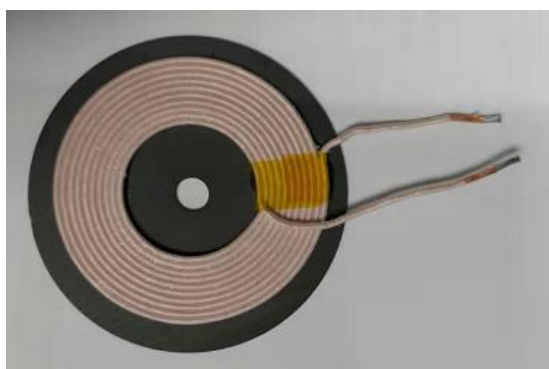


Q1 Standard A11 Single Transmit Wireless Charge Coil

Pulse Part Number WMRT149A-1

V03



Features

- Magnetic Coil: antifreeze plate + coil
- Meet the Qi international standard
- Antifreeze film of transmitter is injection molding, make use of V-ON material, unzerbrechlich, breakageproof, every shape suitable
- Length and gap of the outgoing line is customizability

Application

- Mobile phone wireless charge

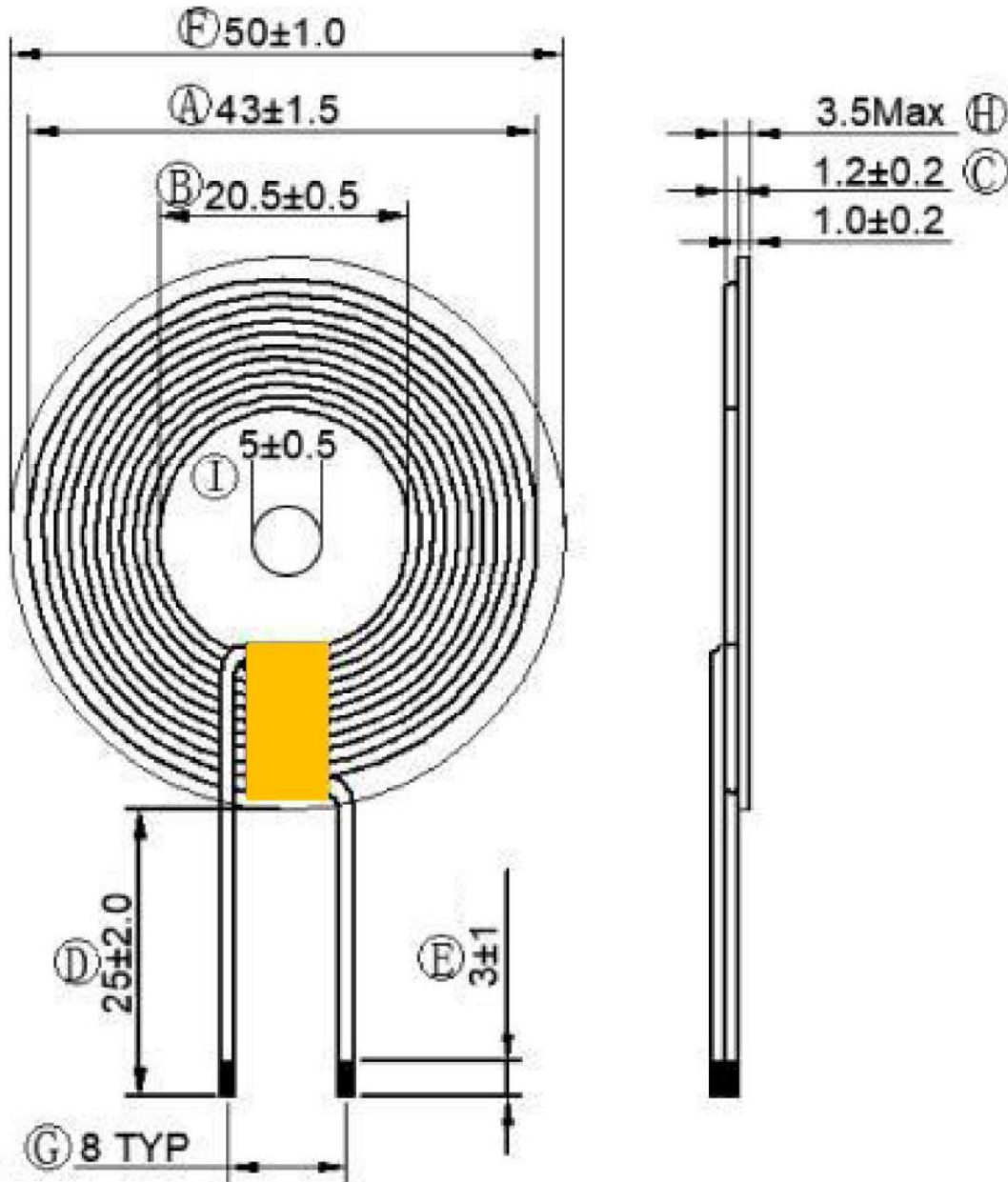
Electrical specifications

Standard Voltage(V)	5
Rated Current (A)	1-2
Q factor	>70
Inductance(uH)	$6.9 \pm 10\%$
DC Resistance (mΩ)	$47 \pm 10\%$
Wire Diameter (mm)	0.08*105 strands cotton-insulated wire
Testing Environment	100KHZ 1V

Q1 Standard A11 Single Transmit Wireless Charge Coil

Pulse Part Number WMRT149A-1

V03



注明:

- 1、整体外观干净，整洁，具体以签样为准
- 2、外观目视表面光滑、平整，无飞边、无毛刺，无缩痕，无熔接痕、颗粒及划痕外观不良

X-ON Electronics

Largest Supplier of Electrical and Electronic Components

Click to view similar products for [Wireless Charging Coils](#) category:

Click to view products by [Pulse](#) manufacturer:

Other Similar products are found below :

[WM5V](#) [WR383245-17F5-G](#) [SWC4242KB120-100](#) [IWAS3222CZEB190JF1](#) [WR222230-26M8-G](#) [146179-4011](#) [AWCCA107T52H40C01B](#)
[AWCCA-15N15H06-C01-B](#) [AWCCA-18R18H10-C01-B](#) [AWCCA-26R26H08-C01-B](#) [AWCCA-28R15H08-C01-B](#) [AWCCA-30N30H20-C01-](#)
[B](#) [AWCCA-36R36H08-C51-B](#) [AWCCA-37R37H18-C01-B](#) [AWCCA-42R38H08-C03-B](#) [AWCCA-50N50H16-C51-B](#) [AWCCA-50N50H30-](#)
[C21-B](#) [AWCCA50N50H35C01B](#) [AWCCA50N50H50C01B](#) [AWCCA53N53H50C01B](#) [AWCCA53N53H50C02B](#) [AWCCA-RX350300-101](#)
[AWCCA-RX404012-102](#) [DFR0712](#) [SWM1390](#) [SWW174N](#) [WMRR124F-1](#) [WMRR124F-2](#) [WMRR132F-0](#) [WMRR138F-0](#) [WMRR147F-1](#)
[WMRT130F-0](#) [WMRT399A-0](#) [WR111180-36F5-B1](#) [WR111180-49F5-G](#) [WR121210-27M8-ID](#) [WR202010-18M8-ID](#) [WR202010-18M8-SM](#)
[WR202020-18M8-G](#) [WR221230-36M8-G](#) [WR303050-12F5-ID](#) [WR303050-15F5-G](#) [WR444025-17M6-G](#) [WR464650-10K2-FS3](#) [WR483245-](#)
[15F5-G](#) [WR483265-13F5-G](#) [WR483265-15F5-G](#) [WR524825-17M6-NF-G](#) [WR524830-16F3-NF-G](#) [WR555540-16K2-FS2](#)