

Description: Direct Mount LPT Style
Antenna 698-2700 MHz, U.FL/SMA(M)**PART NUMBER: W1978/W1979****Features:**

- LTE Monopole antenna
- 698-2700MHz
- Direct mount with coax feed
- Polarization: Vertical
- Pattern: Omni in H-plane
- Gain: 1.4 / 2.7 / 3.5dBi
- IP67
- Height 77.2mm / 3.04 inch

Applications:

- LTE Radio systems
- Public Safety
- Metering
- Transportation, logistics
- Vehicular use



W1978

W1979

All dimensions are in mm / inches

Issue: 2150

In the effort to improve our products, we reserve the right to make changes judged to be necessary.

CONFIDENTIAL AND PROPRIETARY INFORMATION

This document contains confidential and proprietary information of Pulse Electronics, Inc. (Pulse) and is protected by copyright, trade secret and other state and federal laws. Its receipt or possession does not convey any rights to reproduce, disclose its contents, or to manufacture, use or sell anything it may describe. Reproduction, disclosure or use without specific written authorization of Pulse is strictly forbidden.

For more information:

Pulse Worldwide Headquarters
15255 Innovation Drive #100
San Diego, CA 92128
USA
Tel: 1-858-674-8100

Pulse/Larsen Antennas
18110 SE 34th St Bldg 2 Suite 250
Vancouver, WA 98683
USA
Tel: 1-360-944-7551

Europe Headquarters
Pulse GmbH & Do, KG
Zeppelinstrasse 15
Herrenberg, Germany
Tel: 49 7032 7806 0

Pulse (Suzhou) Wireless Products Co, Inc.
99 Huo Ju Road(#29 Bldg,4th Phase
Suzhou New District
Jiangsu Province, Suzhou 215009 PR China
Tel: 86 512 6807 9998

ELECTRICAL SPECIFICATIONS

| | | |
|---------------------------------|--|-------|
| Antenna type | Monopole (All electrical performance measured with antenna centered on 12"x12" ground plane) | |
| Frequency | 698-960/1710-2170/2300-2700 | MHz |
| Nominal Impedance | 50 | Ω |
| VSWR(698-960) | 2.5:1 | Max |
| VSWR(1710-2700) | 2:1 | Max |
| Peak Gain(698-960, typical) | 1.4 | dBi |
| Peak Gain(1710-2170, typical) | 2.7 | dBi |
| Peak Gain(2300-2700, typical) | 3.5 | dBi |
| Efficiency (all band typical) | 60 | % |
| Polarization | Vertical | |
| HPBW Horizontal Plane @0° EL | 360 | ° |
| HPBW Vertical Plane (698-960) | 66 | ° Avg |
| HPBW Vertical Plane (1710-2170) | 48 | ° Avg |
| HPBW Vertical Plane (2300-2700) | 43 | ° Avg |
| Power withstanding | 10 | W |
| Mounting | Direct mount | |

Series: LPT Antenna**TECHNICAL DATA SHEET****Description:** Direct Mount LPT Style
Antenna 698-2700 MHz, U.FL/SMA(M)**PART NUMBER: W1978/W1979****MECHANICAL SPECIFICATIONS**

| | |
|---------------------------------|----------------------------|
| Overall Length with cable | 795.6mm |
| Weight | W1978:98.4g/W1979:117.6g |
| Antenna Color / Radome Material | Gray/ PC+ Polyester blend |
| Connector type | W1978:U.FL/W1979:SMA Male) |
| Cable type | W1978:1.37/W1979: RG174 |
| Cable length | 700mm |

ENVIRONMENTAL SPECIFICATIONS

| | |
|-----------------------|------------|
| Operating Temperature | -40/+85° C |
| Storage Temperature | -40/+85° C |
| Ingress Protection | IP67 |
| Wind-loading | 165m/h |
| RoHS Compliant | Yes |

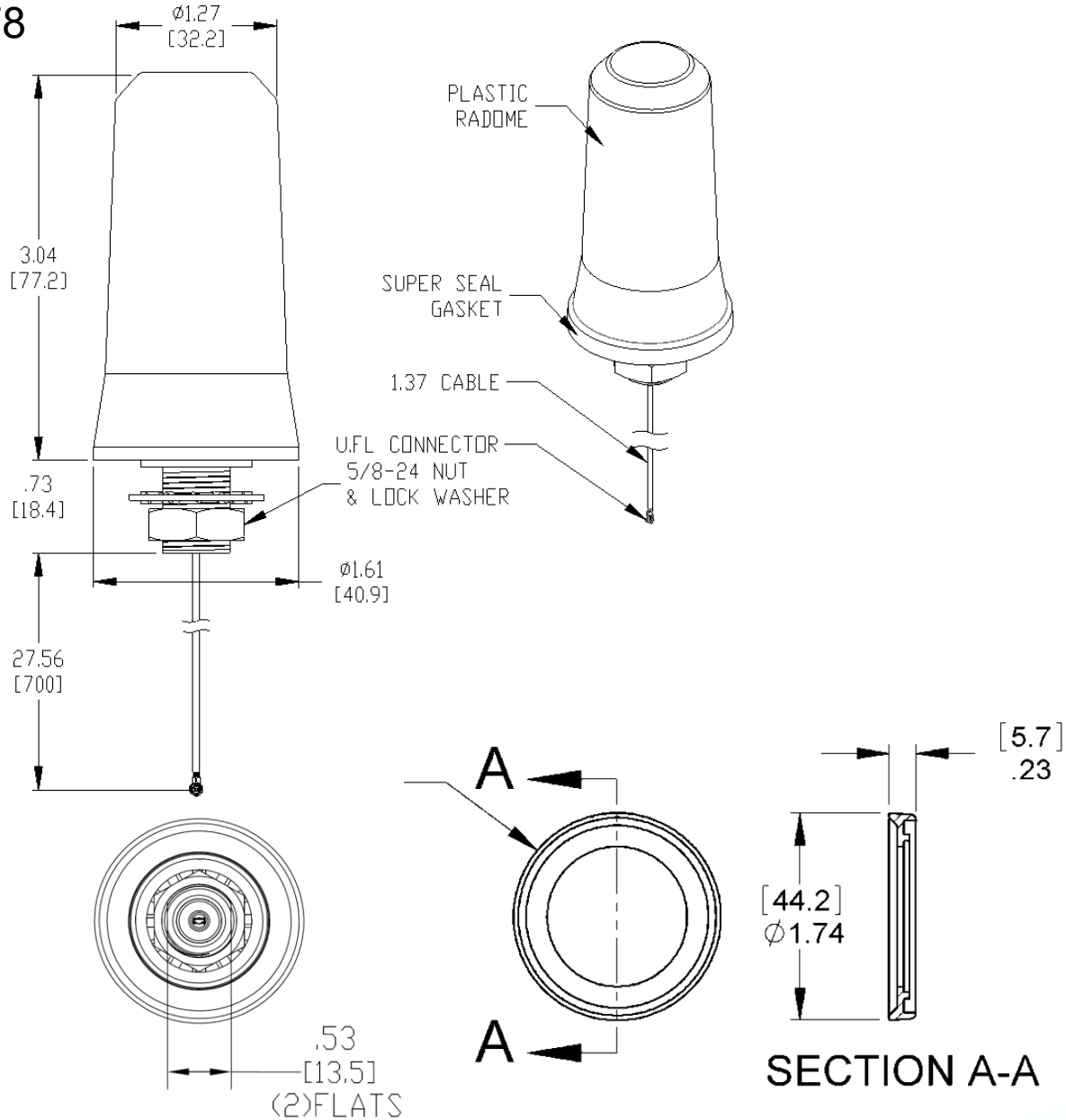
Description: Direct Mount LPT Style
Antenna 698-2700 MHz, U.FL/SMA(M)

Series: LPT Antenna

PART NUMBER: W1978/W1979

MECHANICAL DRAWING

W1978



Issue: 2150

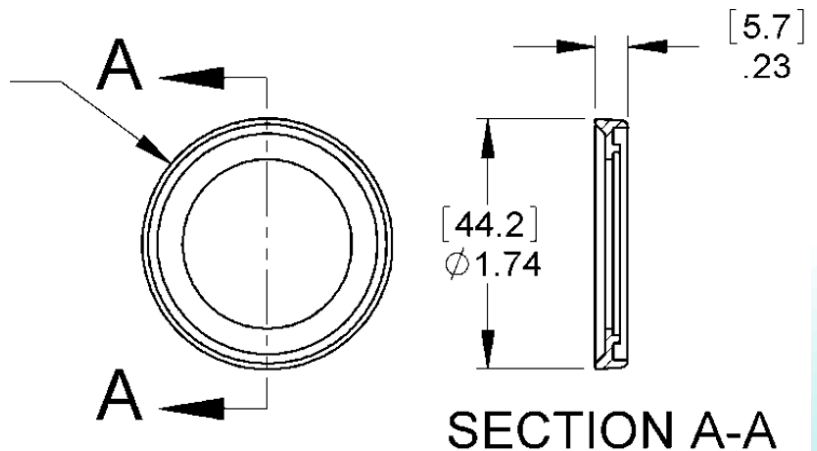
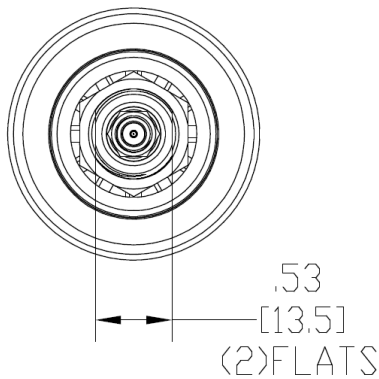
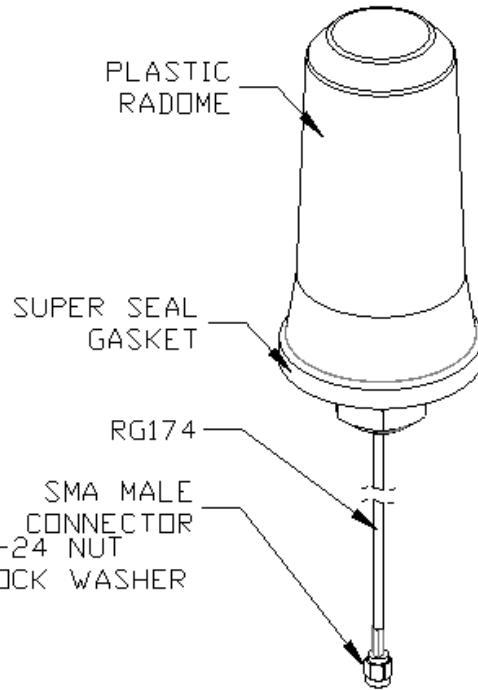
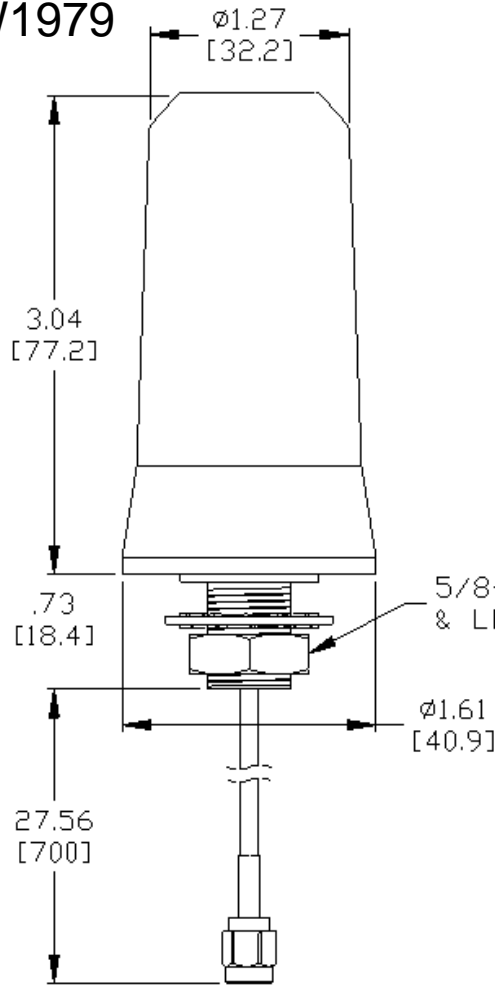
In the effort to improve our products, we reserve the right to make changes judged to be necessary.

CONFIDENTIAL AND PROPRIETARY INFORMATION

This document contains confidential and proprietary information of Pulse Electronics, Inc. (Pulse) and is protected by copyright, trade secret and other state and federal laws. Its receipt or possession does not convey any rights to reproduce, disclose its contents, or to manufacture, use or sell anything it may describe. Reproduction, disclosure or use without specific written authorization of Pulse is strictly forbidden.

MECHANICAL DRAWING

W1979



Issue: 2150

In the effort to improve our products, we reserve the right to make changes judged to be necessary.

CONFIDENTIAL AND PROPRIETARY INFORMATION

This document contains confidential and proprietary information of Pulse Electronics, Inc. (Pulse) and is protected by copyright, trade secret and other state and federal laws. Its receipt or possession does not convey any rights to reproduce, disclose its contents, or to manufacture, use or sell anything it may describe. Reproduction, disclosure or use without specific written authorization of Pulse is strictly forbidden.

MECHANICAL DRAWING

| Item | Part Number | Description |
|------|-------------|---|
| 1 | W1978 | Band 698-960/1710-2170/2300-2700 MHz with .7 meter cable assembly with U.FI |
| 2 | W1979 | Band 698-960/1710-2170/2300-2700 MHz with .7 meter cable assembly with SMA |

Series: LPT Antenna**TECHNICAL DATA SHEET****Description:** Direct Mount LPT Style
Antenna 698-2700 MHz, U.FL/SMA(M)**PART NUMBER: W1978/W1979****TEST SETUP**

All electrical performance measured with antenna centered on
12"x12" ground plane

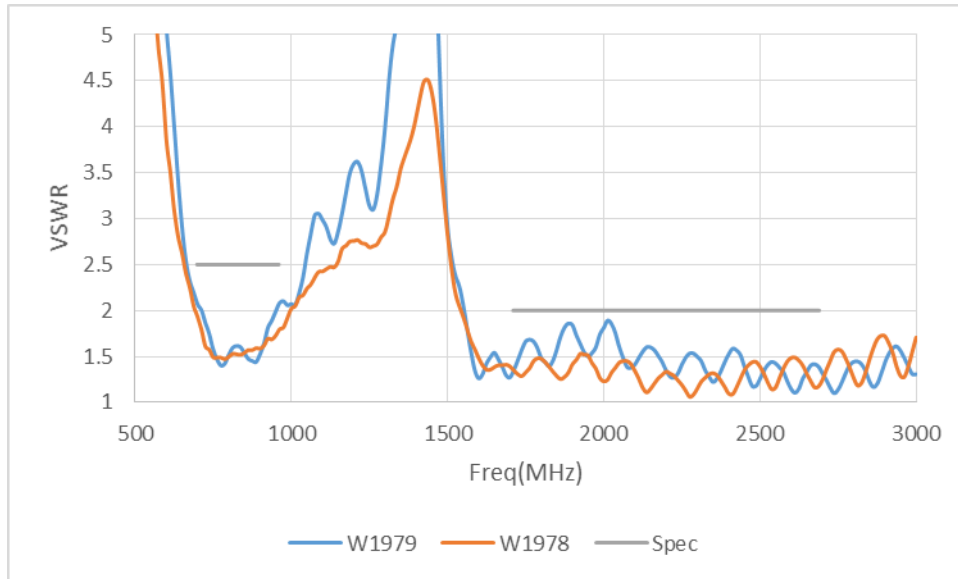
Description: Direct Mount LPT Style Antenna 698-2700 MHz, U.FL/SMA(M)

Series: LPT Antenna

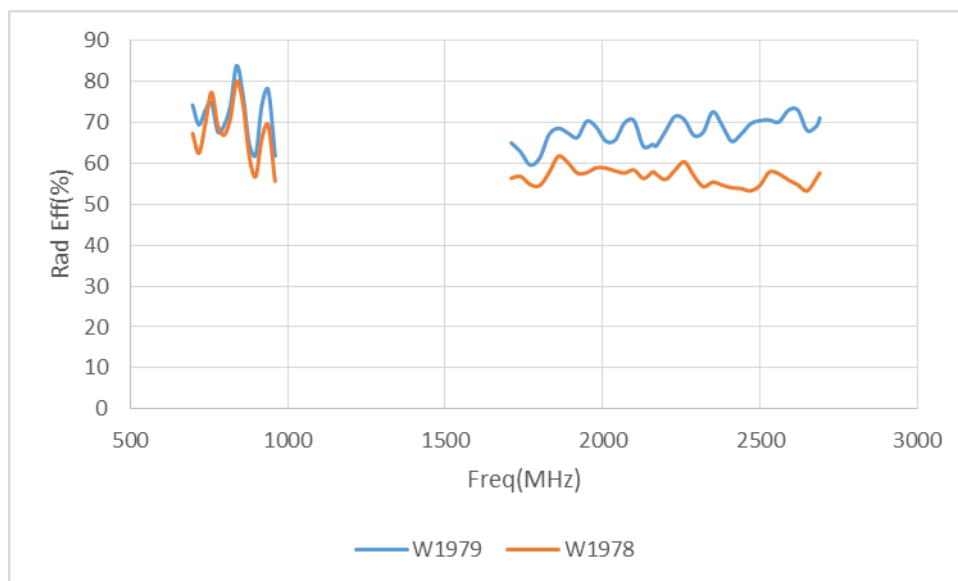
PART NUMBER: W1978/W1979

CHARTS

VSWR



Radiation Efficiency



Issue: 2150

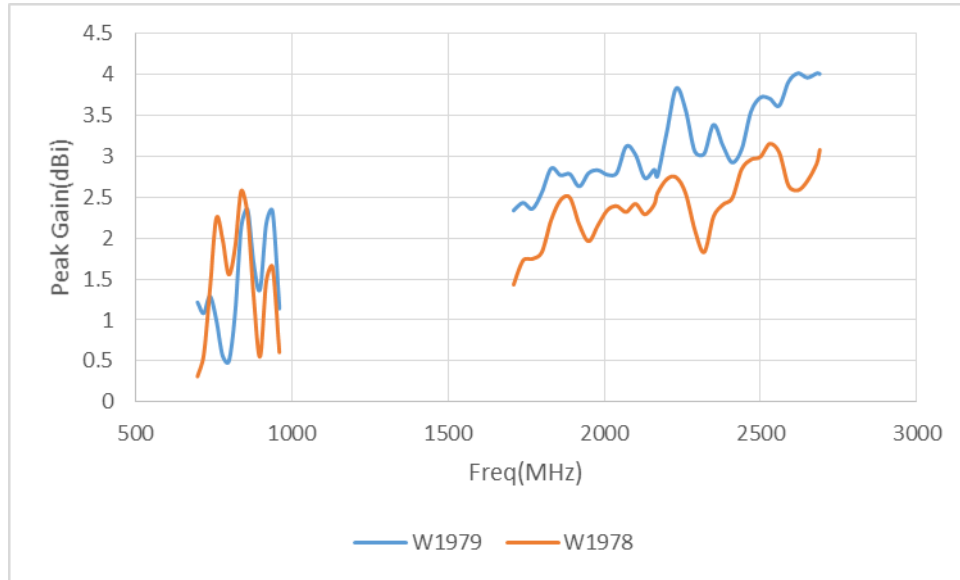
In the effort to improve our products, we reserve the right to make changes judged to be necessary.

CONFIDENTIAL AND PROPRIETARY INFORMATION

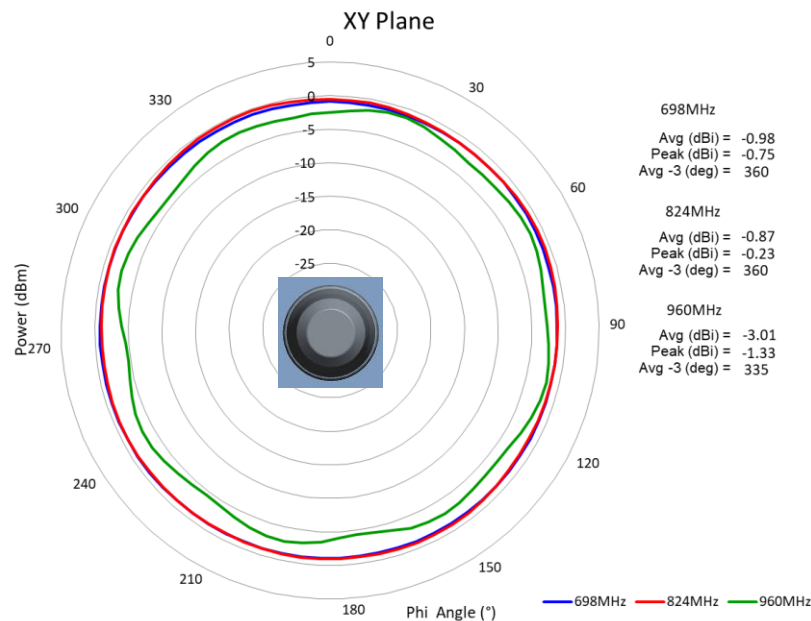
This document contains confidential and proprietary information of Pulse Electronics, Inc. (Pulse) and is protected by copyright, trade secret and other state and federal laws. Its receipt or possession does not convey any rights to reproduce, disclose its contents, or to manufacture, use or sell anything it may describe. Reproduction, disclosure or use without specific written authorization of Pulse is strictly forbidden.

CHARTS

Peak Gain



Horizontal Plane radiation pattern at low band



Issue: 2150

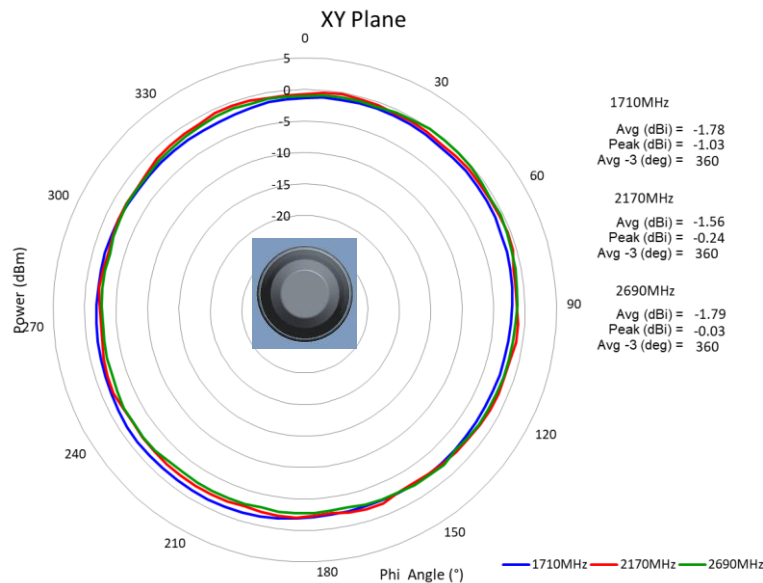
In the effort to improve our products, we reserve the right to make changes judged to be necessary.

CONFIDENTIAL AND PROPRIETARY INFORMATION

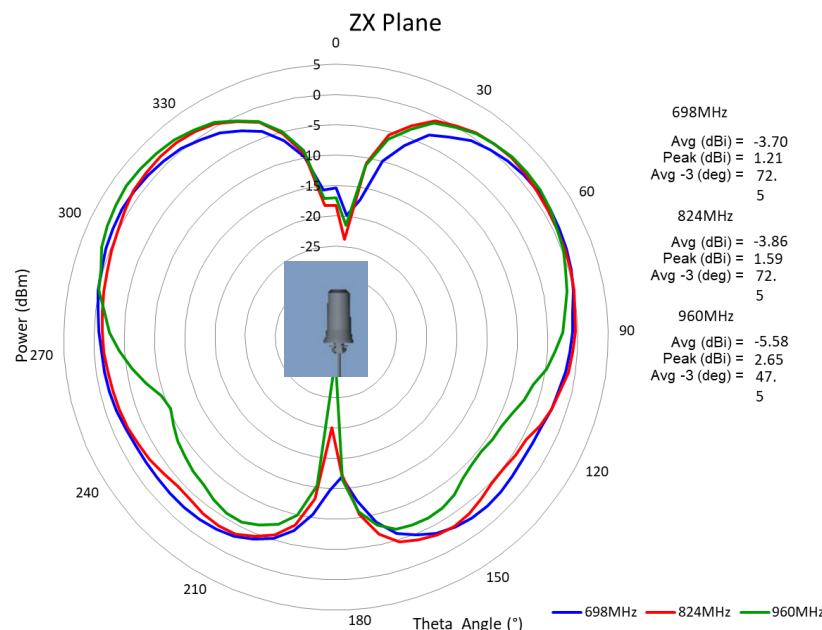
This document contains confidential and proprietary information of Pulse Electronics, Inc. (Pulse) and is protected by copyright, trade secret and other state and federal laws. Its receipt or possession does not convey any rights to reproduce, disclose its contents, or to manufacture, use or sell anything it may describe. Reproduction, disclosure or use without specific written authorization of Pulse is strictly forbidden.

CHARTS

Horizontal Plane radiation pattern at high band



Vertical Plane radiation pattern at low band



Issue: 2150

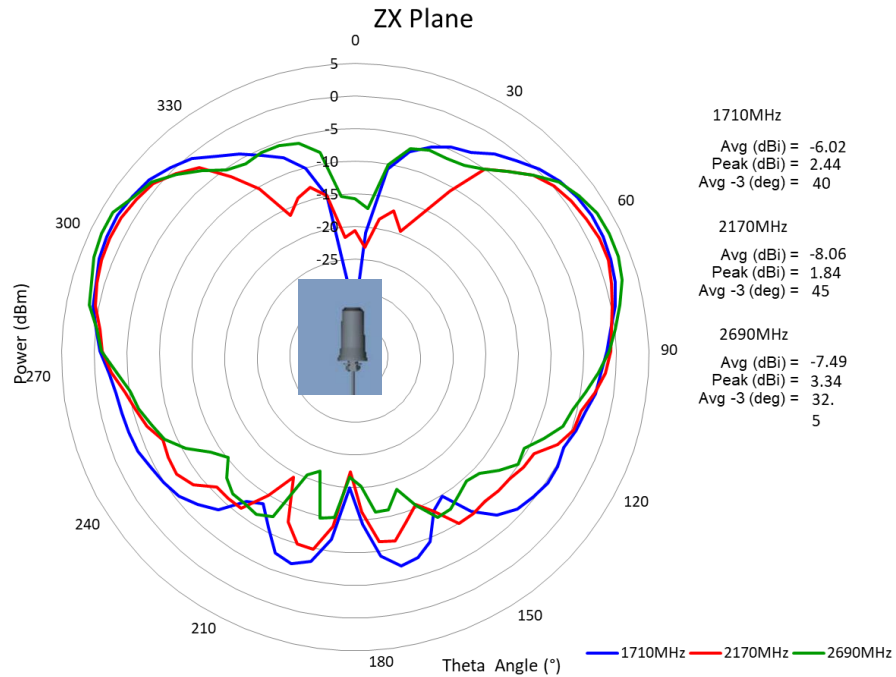
In the effort to improve our products, we reserve the right to make changes judged to be necessary.

CONFIDENTIAL AND PROPRIETARY INFORMATION

This document contains confidential and proprietary information of Pulse Electronics, Inc. (Pulse) and is protected by copyright, trade secret and other state and federal laws. Its receipt or possession does not convey any rights to reproduce, disclose its contents, or to manufacture, use or sell anything it may describe. Reproduction, disclosure or use without specific written authorization of Pulse is strictly forbidden.

CHARTS

Vertical Plane radiation pattern at high band



Series: LPT Antenna**TECHNICAL DATA SHEET****Description:** Direct Mount LPT Style
Antenna 698-2700 MHz, U.FL/SMA(M)**PART NUMBER: W1978/W1979****PACKAGING**

4pcs antenna per separated region, 6 separated regions per layer.
Total 2 layers contain 48pcs antenna per box

X-ON Electronics

Largest Supplier of Electrical and Electronic Components

Click to view similar products for [Antennas](#) category:

Click to view products by [PulseLarsen](#) manufacturer:

Other Similar products are found below :

[GAN30084EU](#) [930-033-R](#) [GW17.07.0250E](#) [1513563-1](#) [EXE902SM](#) [APAMPG-117](#) [MAF94383](#) [W3908B0100](#) [W6102B0100](#) [YE572113-30RSMM](#) [108-00014-50](#) [66089-2406](#) [SPDA17RP918](#) [A09-F8NF-M](#) [A09-F5NF-M](#) [RGFRA1903041A1T](#) [W3593B0100](#) [W3921B0100](#) [SIMNA-868](#) [SIMNA-915](#) [SIMNA-433](#) [W1044](#) [W1049B090](#) [A75-001](#) [WTL2449CQ1-FRSMM](#) [CPL9C](#) [EXB148BN](#) [0600-00060](#) [TRA9020S3PBN-001](#) [Y4503](#) [GD5W-28P-NF](#) [MA9-7N](#) [GD53-25](#) [GD5W-21P-NF](#) [C37](#) [MAF94051](#) [MA9-5N](#) [EXD420PL](#) [B1322NR](#) [QWFTB120](#) [MAF94271](#) [MAF94300](#) [GPSMB301](#) [FG4403](#) [AO-AGSM-OM54](#) [5200232](#) [MIKROE-2349](#) [WCM.01.0111](#) [MIKROE-2393](#) [MIKROE-2352](#)