

Features:

- Cable length: See Page 2
- Cable OD 0.81mm
- Connector 1: RP SMA Female
- Connector 2: I-PEX MHF4 or equivalent
- Attenuation 1dB @ 1GHz
- Attenuation 3.5dB @ 6GHz
- RoHS Compliant

Applications:

- Jumper Cable



All dimensions are in mm / inches

Issue: 1901

In the effort to improve our products, we reserve the right to make changes judged to be necessary.

CONFIDENTIAL AND PROPRIETARY INFORMATION

This document contains confidential and proprietary information of Pulse Electronics, Inc. (Pulse) and is protected by copyright, trade secret and other state and federal laws. Its receipt or possession does not convey any rights to reproduce, disclose its contents, or to manufacture, use or sell anything it may describe. Reproduction, disclosure or use without specific written authorization of Pulse is strictly forbidden.

For more information:

Pulse Worldwide Headquarters
15255 Innovation Drive #100
San Diego, CA 92128
USA
Tel: 1-858-674-8100

Pulse/Larsen Antennas
18110 SE 34th St Bldg 2 Suite 250
Vancouver, WA 98683
USA
Tel: 1-360-944-7551

Europe Headquarters
Pulse GmbH & Do, KG
Zeppelinstrasse 15
Herrenberg, Germany
Tel: 49 7032 7806 0

Pulse (Suzhou) Wireless Products Co, Inc.
99 Huo Ju Road(#29 Bldg,4th Phase
Suzhou New District
Jiangsu Province, Suzhou 215009 PR China
Tel: 86 512 6807 9998



Description: **MHF4 – RP SMA Female Jumper Cable**

Series: **Cable Assembly**

PART NUMBER: W9037BDXXXX

ELECTRICAL SPECIFICATIONS

Frequency	0~8GHz
Nominal Impedance	50±2 Ω
RL of Port-SMA	-12dB(Max)
RL of Port-MHF4	-12dB(Max)
Max operating voltage(V)	1000

Frequency	Overall Attenuation/dB		
	W9037BD0100	W9037BD0200	W9037BD0250
0.1MHz	0.05	0.06	0.07
1G	0.45	0.75	0.89
2G	0.63	1.06	1.27
3G	0.79	1.33	1.58
4G	0.95	1.58	1.88
5G	1.08	1.81	2.15
6G	1.34	2.11	2.45
7G	1.57	2.42	2.90
8G	1.91	2.77	3.15

MECHANICAL SPECIFICATIONS

	Connector Type	Cable Tpye	Overall Length(m m/in)	Cable Length(m m/in)	Weight(g)	Color
W9037BD0100	I-PEX MHF4 or equivalent + RP SMA Female with Spring Washer	Φ0.81 MM Coaxial Cable, Black	116/4.57	100/3.94	3	Black
W9037BD0200			216/8.50	200/7.87	3.3	
W9037BD0250			266/10.47	250/9.84	3.5	

ENVIRONMENTAL SPECIFICATIONS

Operating Temperature	-40~85° C
Storage Temperature	-40~85° C
RoHS Compliant	Yes

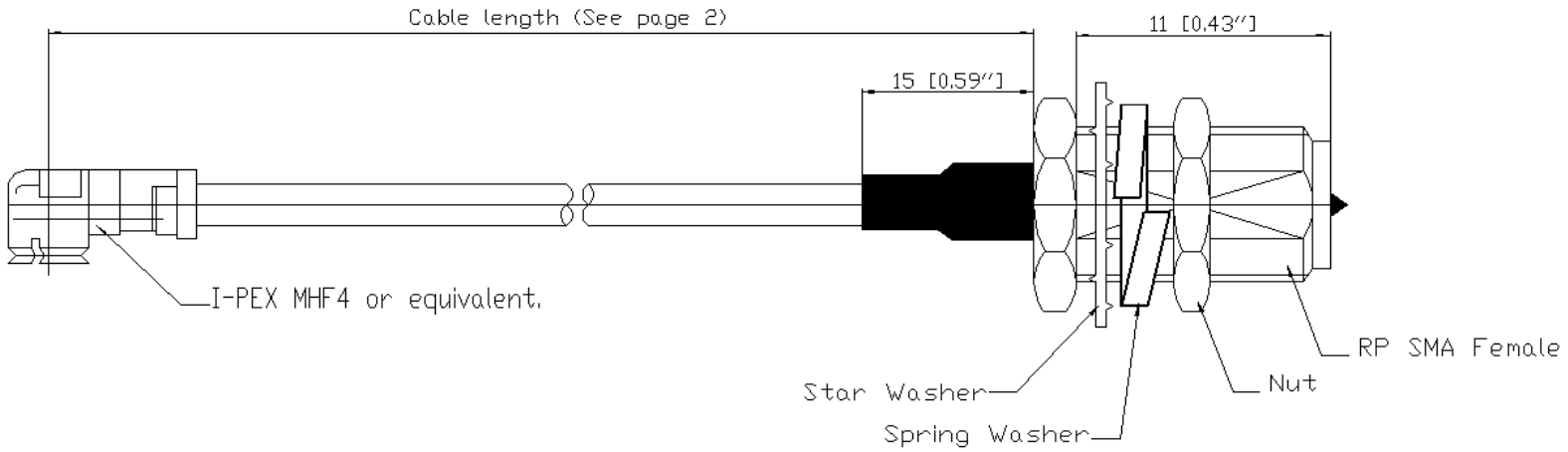
Issue: 1901

In the effort to improve our products, we reserve the right to make changes judged to be necessary.

CONFIDENTIAL AND PROPRIETARY INFORMATION

This document contains confidential and proprietary information of Pulse Electronics, Inc. (Pulse) and is protected by copyright, trade secret and other state and federal laws. Its receipt or possession does not convey any rights to reproduce, disclose its contents, or to manufacture, use or sell anything it may describe. Reproduction, disclosure or use without specific written authorization of Pulse is strictly forbidden.

MECHANICAL DRAWING



Issue: 1901

In the effort to improve our products, we reserve the right to make changes judged to be necessary.

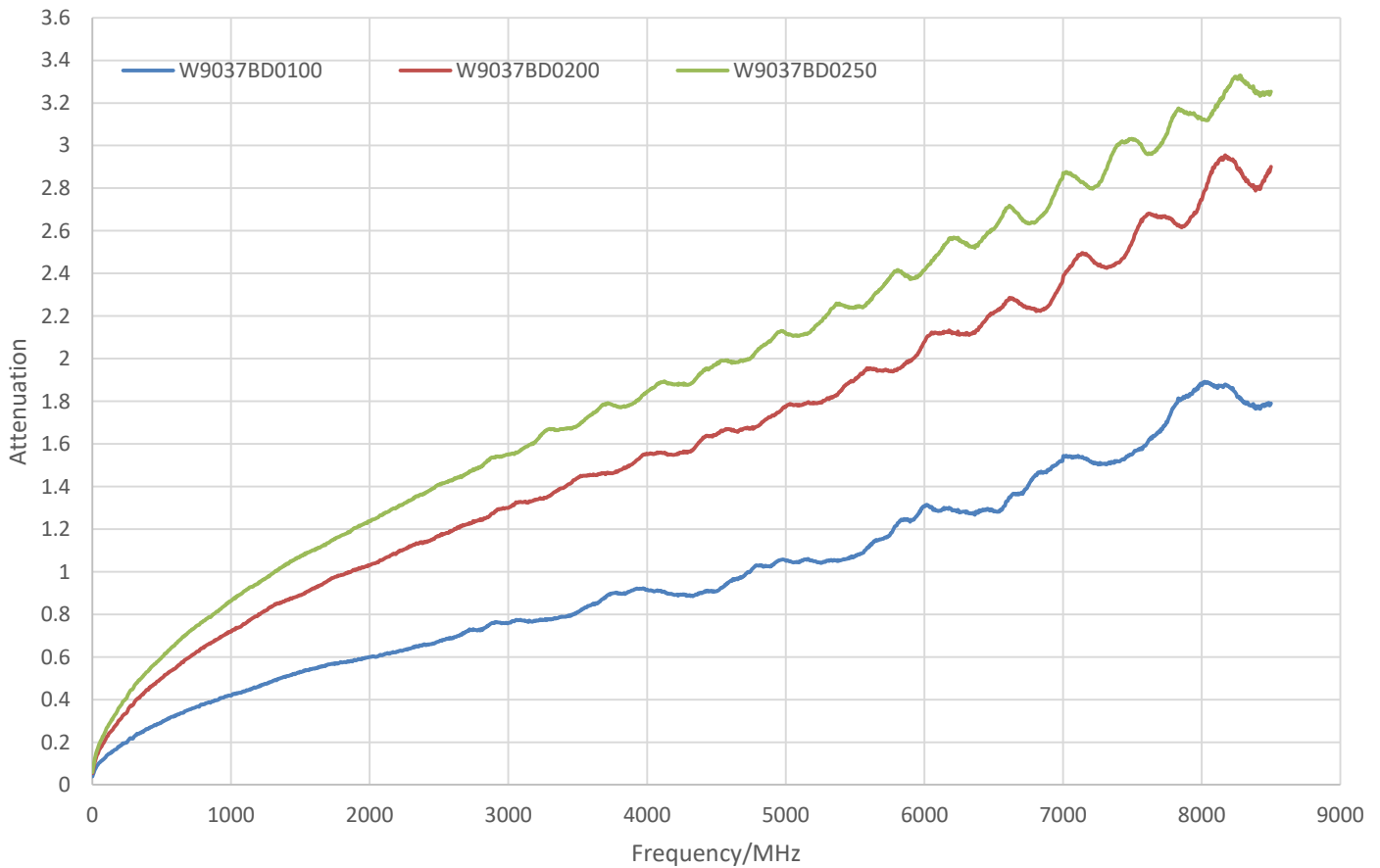
CONFIDENTIAL AND PROPRIETARY INFORMATION

This document contains confidential and proprietary information of Pulse Electronics, Inc. (Pulse) and is protected by copyright, trade secret and other state and federal laws. Its receipt or possession does not convey any rights to reproduce, disclose its contents, or to manufacture, use or sell anything it may describe. Reproduction, disclosure or use without specific written authorization of Pulse is strictly forbidden.

CHARTS

Attenuation of the W9037 vs Frequency

W9037/Attenuation



Issue: 1901

In the effort to improve our products, we reserve the right to make changes judged to be necessary.

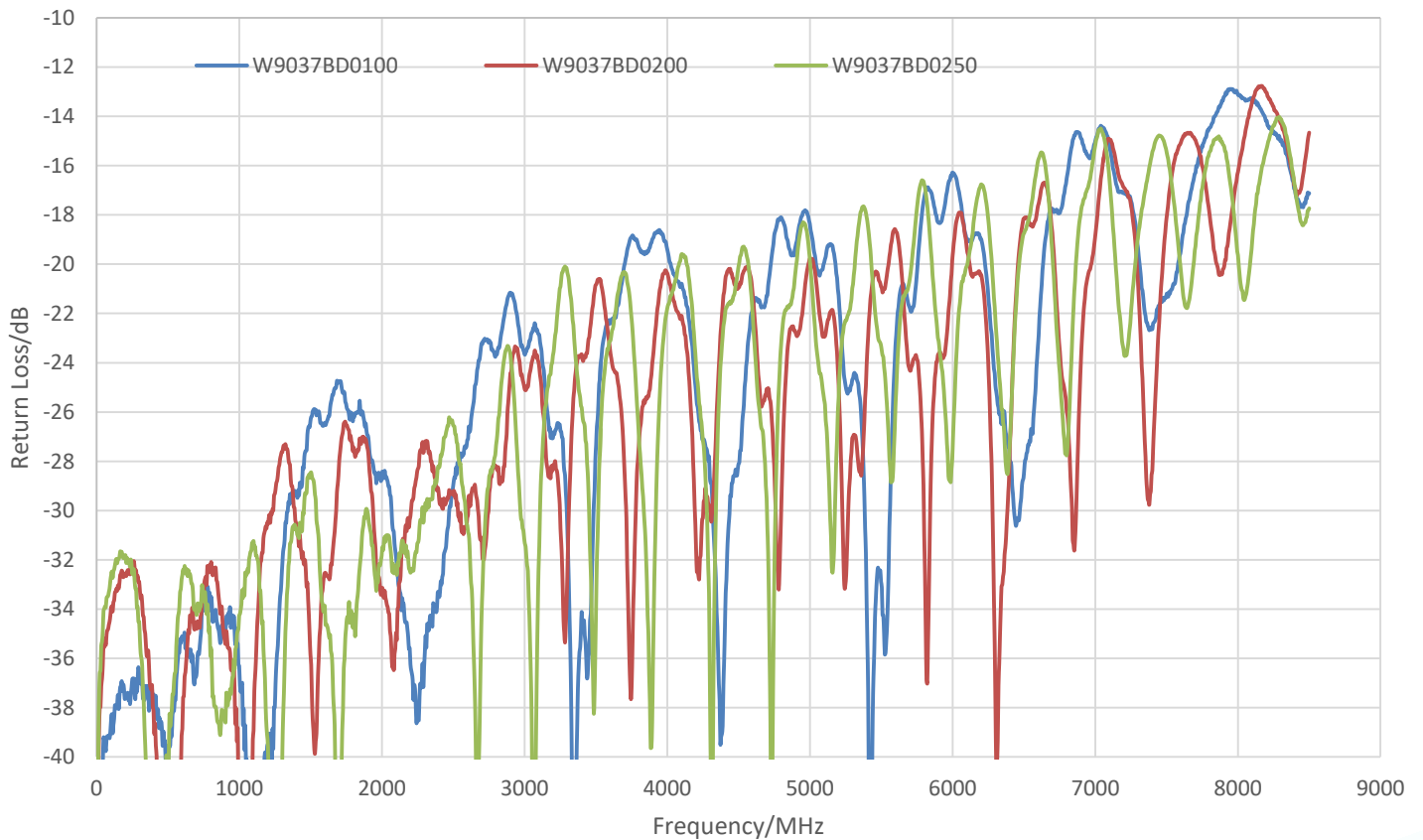
CONFIDENTIAL AND PROPRIETARY INFORMATION

This document contains confidential and proprietary information of Pulse Electronics, Inc. (Pulse) and is protected by copyright, trade secret and other state and federal laws. Its receipt or possession does not convey any rights to reproduce, disclose its contents, or to manufacture, use or sell anything it may describe. Reproduction, disclosure or use without specific written authorization of Pulse is strictly forbidden.

CHARTS

Return Loss of Port-SMA vs Frequency

W9037/Port-SMA



Issue: 1901

In the effort to improve our products, we reserve the right to make changes judged to be necessary.

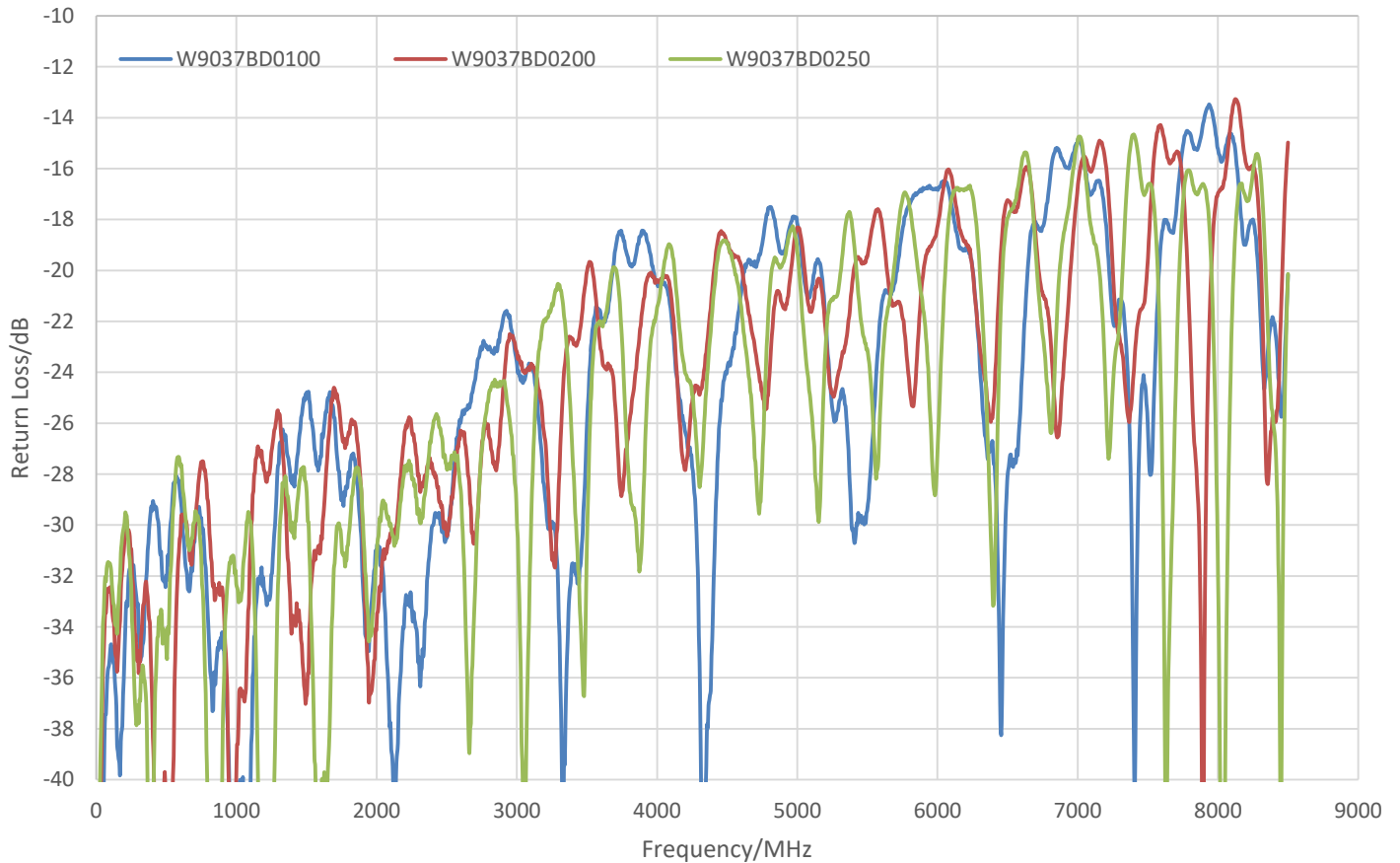
CONFIDENTIAL AND PROPRIETARY INFORMATION

This document contains confidential and proprietary information of Pulse Electronics, Inc. (Pulse) and is protected by copyright, trade secret and other state and federal laws. Its receipt or possession does not convey any rights to reproduce, disclose its contents, or to manufacture, use or sell anything it may describe. Reproduction, disclosure or use without specific written authorization of Pulse is strictly forbidden.

CHARTS

Return Loss of Port-MHF4 vs Frequency

W9037/Port-MHF4



Issue: 1901

In the effort to improve our products, we reserve the right to make changes judged to be necessary.

CONFIDENTIAL AND PROPRIETARY INFORMATION

This document contains confidential and proprietary information of Pulse Electronics, Inc. (Pulse) and is protected by copyright, trade secret and other state and federal laws. Its receipt or possession does not convey any rights to reproduce, disclose its contents, or to manufacture, use or sell anything it may describe. Reproduction, disclosure or use without specific written authorization of Pulse is strictly forbidden.

Description: **MHF4 – RP SMA Female
Jumper Cable**

Series: **Cable Assembly**

PART NUMBER: W9037BDXXXX

PACKAGING

Quantity: **20 PCS / Column PE bag, 2000 pcs / Box**



Issue: 1901

In the effort to improve our products, we reserve the right to make changes judged to be necessary.

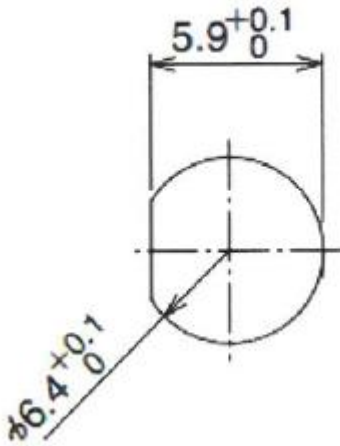
CONFIDENTIAL AND PROPRIETARY INFORMATION

This document contains confidential and proprietary information of Pulse Electronics, Inc. (Pulse) and is protected by copyright, trade secret and other state and federal laws. Its receipt or possession does not convey any rights to reproduce, disclose its contents, or to manufacture, use or sell anything it may describe. Reproduction, disclosure or use without specific written authorization of Pulse is strictly forbidden.

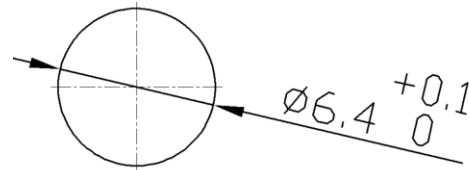
ASSEMBLY

The RP-SMA male connector fits through the assembly hole, the hole size is below.
SMA connector thread length: 11mm / 0.43in

● **Panel cut-out**



Option 1



Option 2

X-ON Electronics

Largest Supplier of Electrical and Electronic Components

Click to view similar products for [RF Cable Assemblies](#) category:

Click to view products by [PulseLarsen](#) manufacturer:

Other Similar products are found below :

[573/2](#) [73-6311-6](#) [73-6353-3](#) [73-6364-6](#) [MDB1-9SH001](#) [MDM-15PH003L-K139](#) [MDM-21PH003L-K139](#) [MH113-01SB1-MH1RP-0152](#)
[MIKQ6-7SH076](#) [R288940005](#) [RF174-01RP1-03RP1-0110](#) [RMTB1-6PHY0102](#) [145111-05-12.00](#) [1661-C-24](#) [2192](#) [CA-628485-A43](#)
[24P104C24J1-012](#) [24P104C24P1-006](#) [24P104C24P1-018](#) [24P203C24P2-006](#) [24P204C24J1-003](#) [172-2150-EX](#) [1800920920914PJ](#) [FCB-3030-](#)
[ALT](#) [21117-046](#) [21117-050](#) [PCX-24-50](#) [24P103C24P2-003](#) [25P203C25P2-003](#) [R284008001](#) [R285426000](#) [R288940003](#) [R288940008](#)
[RF174-03RP1-01BR1-0200](#) [RF179-74BJ3-77RP1-0305](#) [RMTB1-15PHY0102](#) [RMTB1-8PHY0102](#) [4814-BB-24](#) [500-181-R-ACC](#) [MIKQ6-](#)
[7SH023](#) [5260-72](#) [314-120](#) [JR4N1-CL1-6F](#) [JR4R3-CL1-4F](#) [JT2N1-CL1-1F](#) [JT2T1-CL1-6F](#) [4814-K-48](#) [RN-UFL-SMA6](#) [100E151JW3600X](#)
[CCNTN2-MM-LL335-26](#)