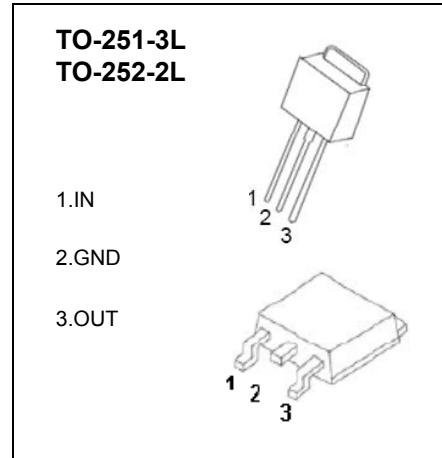


78M08

Three-terminal positive voltage regulator

FEATURES

- Maximum output current
 I_{OM} : 0.5 A
- Output voltage
 V_O : 8V
- Continuous total dissipation
 P_D : 1.25 W



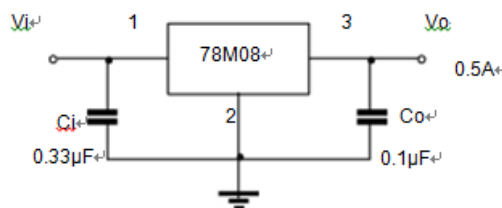
ABSOLUTE MAXIMUM RATINGS (Operating temperature range applies unless otherwise specified)

Parameter	Symbol	Value	Unit
Input Voltage	V_i	25	V
Operating Junction Temperature Range	T_{OPR}	0-+125	°C
Storage Temperature Range	T_{STG}	-65-+150	°C

ELECTRICAL CHARACTERISTICS AT SPECIFIED VIRTUAL JUNCTION TEMPERATURE ($V_i=10V, I_o=350mA, C_i=0.33\mu F, C_o=0.1\mu F$, unless otherwise specified)

Parameter	Symbol	Test conditions	Min	Typ	Max	Unit
Output Voltage	V_o	$10.5V \leq V_i \leq 23V, I_o=5mA-350mA, P_o \leq 15W$	7.6	8	8.4	V
Load Regulation	ΔV_o	$I_o=5mA-500mA$		20	160	mV
		$I_o=5mA-200mA$		10	80	mV
Line Regulation	ΔV_o	$10.5V \leq V_i \leq 25V, I_o=200mA$	-	6	100	mV
		$11V \leq V_i \leq 25V, I_o=200mA$	-	2	50	mV
Quiescent Current	I_q		-	4.6	6	mA
Quiescent Current Change	ΔI_q	$10.5V \leq V_i \leq 25V, I_o=200mA$			0.8	mA
		$5mA \leq I_o \leq 350mA$			0.5	mA
Output Noise Voltage	V_N	$10Hz \leq f \leq 100KHz$		52		uV
Ripple Rejection	RR	$11.5V \leq V_i \leq 21.5V, f=120Hz, I_o=300mA$	56	80		dB
Dropout Voltage	V_d	$I_o=350mA$		2		V
Short Circuit Current	I_{sc}	$V_i=14V$		250		mA
Peak Current	I_{pk}			0.5		A

TYPICAL APPLICATION



X-ON Electronics

Largest Supplier of Electrical and Electronic Components

Click to view similar products for [Linear Voltage Regulators](#) category:

Click to view products by [PUOLOP](#) manufacturer:

Other Similar products are found below :

[LV56831P-E](#) [LV5684PVD-XH](#) [MCDTSA6-2R](#) [L7815ACV-DG](#) [PQ3DZ53U](#) [LV56801P-E](#) [TLE42794G](#) [L78L05CZ/1SX](#) [L78LR05DL-MA-E](#) [636416C](#) [714954EB](#) [BA033LBSG2-TR](#) [LV5680P-E](#) [L78M15CV-DG](#) [TLS202B1MBV33HTSA1](#) [L79M05T-E](#) [TLS202A1MBVHTSA1](#) [L78LR05D-MA-E](#) [NCV317MBTG](#) [NTE7227](#) [LV5680NPVC-XH](#) [LT1054CN8](#) [MP2018GZD-5-Z](#) [MP2018GZD-33-Z](#) [MIC5281-3.3YMM](#) [RT9078-28GQZ](#) [MC78L06BP-AP](#) [TA48LS05F\(TE85L,F\)](#) [TA78L12F\(TE12L,F\)](#) [TC47BR5003ECT](#) [TCR2LN12,LF\(S](#) [TCR2LN28,LF\(S](#) [TCR2LN30,LF\(S](#) [TCR3DF295,LM\(CT](#) [TCR3DF40,LM\(CT](#) [BA178M20CP-E2](#) [L78M12ABDT](#) [LM7812SX/NOPB](#) [LR645N3-G-P003](#) [LR645N3-G-P013](#) [ZXTR2005P5-13](#) [SCD7812BTG](#) [TCR3DF335,LM\(CT](#) [ZXTR2012K-13](#) [TLE42994E V33](#) [ZXTR2008K-13](#) [ZXTR2005K-13](#) [LA5693D-E](#) [L88R05DL-E](#) [ADP3300ARTZ-2.7RL7](#)