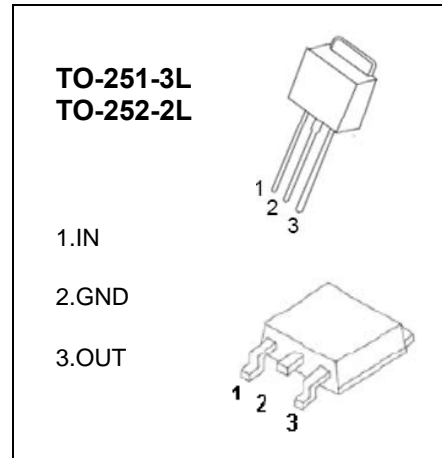


78M09

Three-terminal positive voltage regulator

FEATURES

- Maximum output current I_{OM} : 0.5 A
- Output voltage V_o : 9V
- Continuous total dissipation
 P_D : 1.25 W ($T_a = 25^\circ\text{C}$)



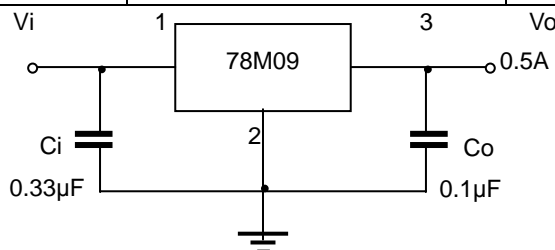
ABSOLUTE MAXIMUM RATINGS (Operating temperature range applies unless otherwise specified)

Parameter	Symbol	Value	Unit
Input Voltage	V_i	25	V
Operating Junction Temperature Range	T_{OPR}	0-+125	$^\circ\text{C}$
Storage Temperature Range	T_{STG}	-65-+150	$^\circ\text{C}$

ELECTRICAL CHARACTERISTICS AT SPECIFIED VIRTUAL JUNCTION TEMPERATURE ($V_i=16\text{V}$, $I_o=350\text{mA}$, $C_i=0.33\mu\text{F}$, $C_o=0.1\mu\text{F}$, unless otherwise specified)

Parameter	Symbol	Test conditions	Min	Typ	Max	Unit
Output Voltage	V_o	25°C	8.65	9	9.35	V
		$11.5\text{V} \leq V_i \leq 24\text{V}$, $I_o=5\text{mA}-350\text{mA}$, $P_o \leq 15\text{W}$	0-125 $^\circ\text{C}$	8.55	9	9.45
Load Regulation	ΔV_o	$I_o=5\text{mA}-500\text{mA}$	25 $^\circ\text{C}$	20	180	mV
		$I_o=5\text{mA}-200\text{mA}$	25 $^\circ\text{C}$	10	90	mV
Line Regulation	ΔV_o	$11.5\text{V} \leq V_i \leq 26\text{V}$, $I_o=200\text{mA}$	25 $^\circ\text{C}$	6	100	mV
		$12\text{V} \leq V_i \leq 26\text{V}$, $I_o=200\text{mA}$	25 $^\circ\text{C}$	2	50	mV
Quiescent Current	I_q		25 $^\circ\text{C}$	4.6	6	mA
Quiescent Current Change	ΔI_q	$11.5\text{V} \leq V_i \leq 26\text{V}$, $I_o=200\text{mA}$	0-125 $^\circ\text{C}$		0.8	mA
	ΔI_q	$5\text{mA} \leq I_o \leq 350\text{mA}$	0-125 $^\circ\text{C}$		0.5	mA
Output Noise Voltage	V_N	$10\text{Hz} \leq f \leq 100\text{KHz}$	25 $^\circ\text{C}$	60		μV
Ripple Rejection	RR	$13 \leq V_i \leq 23\text{V}$, $f=120\text{Hz}$, $I_o=300\text{mA}$	0-125 $^\circ\text{C}$	56	80	dB
Dropout Voltage	V_d	$I_o=350\text{mA}$	25 $^\circ\text{C}$	2		V
Short Circuit Current	I_{sc}	$V_i=16\text{V}$	25 $^\circ\text{C}$	250		mA
Peak Current	I_{pk}		25 $^\circ\text{C}$	0.5		A

TYPICAL APPLICATION



X-ON Electronics

Largest Supplier of Electrical and Electronic Components

Click to view similar products for [Linear Voltage Regulators](#) category:

Click to view products by [PUOLOP](#) manufacturer:

Other Similar products are found below :

[LV56831P-E](#) [LV5684PVD-XH](#) [MCDTSA6-2R](#) [L4953G](#) [L7815ACV-DG](#) [PQ3DZ53U](#) [LV56801P-E](#) [TCR3DF13,LM\(CT](#)
[TCR3DF39,LM\(CT](#) [TLE42794G](#) [L78L05CZ/1SX](#) [L78LR05DL-MA-E](#) [L78MR05-E](#) [033150D](#) [033151B](#) [090756R](#) [636416C](#)
[NCV78M15BDTG](#) [702482B](#) [714954EB](#) [TLE42794GM](#) [TLE42994GM](#) [ZMR500QFTA](#) [BA033LBSG2-TR](#) [NCV78M05ABDTRKG](#)
[NCV78M08BDTRKG](#) [NCP7808TG](#) [NCV571SN12T1G](#) [LV5680P-E](#) [CAJ24C256YI-GT3](#) [L78M15CV-DG](#) [L9474N](#)
[TLS202B1MBV33HTSA1](#) [L79M05T-E](#) [NCP571SN09T1G](#) [MAX15006AASA/V+](#) [MIC5283-5.0YML-T5](#) [L4969URTR-E](#) [L78LR05D-MA-E](#)
[NCV7808BDTRKG](#) [L9466N](#) [NCP7805ETG](#) [SC7812CTG](#) [NCV7809BTG](#) [NCV571SN09T1G](#) [NCV317MBTG](#) [MC78M15CDTT5G](#)
[MC78M12CDTT5G](#) [L9468N](#) [LT1054IS8#TRPBF](#)