



PYLE[®] PRO

PREMIUM
series

SPECIFICATIONS



PPA6
PPA8
PPA10
PPA12
PPA15
PPA18

WWW.PYLE.COM

About Pyle Pro Premium Series Woofer

Congratulations! You have purchased one of our high power Pyle Pro woofer. Pyle Pro Premium Series Woofer is the professional PA woofer series, which has been designed and manufactured for consistent and high performance.

General Features of Pyle Pro Premium Series Woofers Include:

- *Strong Paper Cone*
- *Cloth Edge Suspension*
- *Bumped Vented Pole Piece*
- *High Temperate KAPTON Voice Coils*
- *8 Ohm Impedence*

We do confident that Premium Series Woofer will bring you many hours of enjoyment over the years.

Abort This Booklet

In this booklet, you could find the SPECIFICATIONS and TEMPLATE of the woofer. With this information, you could achieve the best performance of woofer conveniently.

Below is the meaning of the rating abbreviations.

- F_s** : "Tree Air Resonance ",this value is the lowest audible frequency (in Hz) of the woofer.
- Q** : This value describes the degree fo control("damping")which the speaker exhibits.Speaker damping is due to both MECHANICALcharacteristics (Q_{ms}) and ELECTRICAL characteristic s(Q_{es}). A speaker's TOTAL DAMPLING VALUE is referring as Q_{ts}.
- SPL** : This value means the sensitivity of the speaker.
- X_{max}** : The overall distance (in millimeters) the cone and voice coil travel in a single excursion is referred to as X_{max}.
- VAS** : This value describes(in cubic feet) the maximum amount fo air which is displaced by the speaker cone in a sinle excursion.



PYLE[®] PRO

PREMIUM
series

SPECIFICATIONS



PPA6
PPA8
PPA10
PPA12
PPA15
PPA18

WWW.PYLE.COM

About Pyle Pro Premium Series Woofer

Congratulations! You have purchased one of our high power Pyle Pro woofer. Pyle Pro Premium Series Woofer is the professional PA woofer series, which has been designed and manufactured for consistent and high performance.

General Features of Pyle Pro Premium Series Woofers Include:

- *Strong Paper Cone*
- *Cloth Edge Suspension*
- *Bumped Vented Pole Piece*
- *High Temperate KAPTON Voice Coils*
- *8 Ohm Impedence*

We do confident that Premium Series Woofer will bring you many hours of enjoyment over the years.

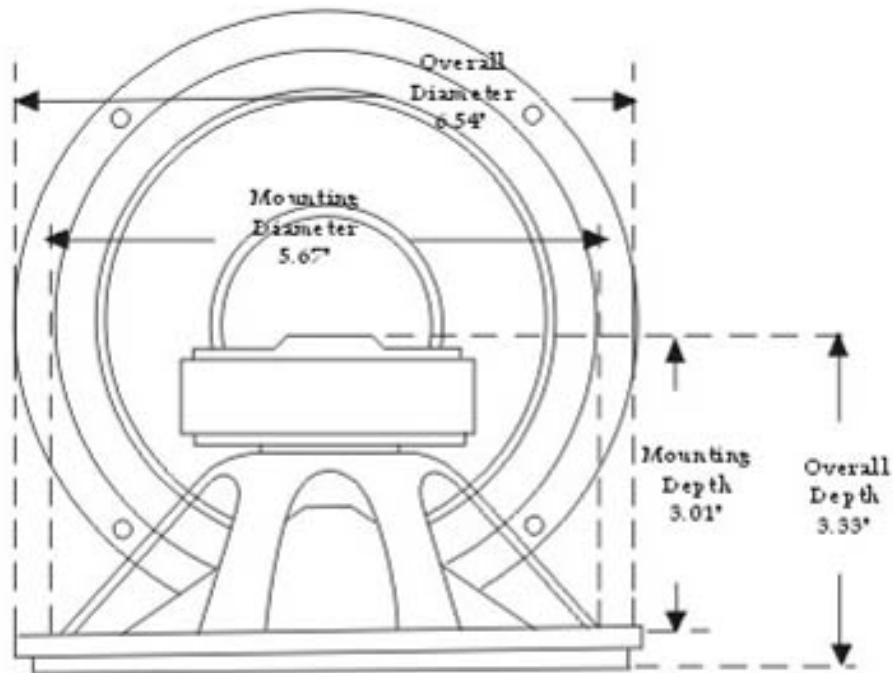
Abort This Booklet

In this booklet, you could find the SPECIFICATIONS and TEMPLATE of the woofer. With this information, you could achieve the best performance of woofer conveniently.

Below is the meaning of the rating abbreviations.

- F_s** : "Tree Air Resonance ",this value is the lowest audible frequency (in Hz) of the woofer.
- Q** : This value describes the degree fo control("damping")which the speaker exhibits.Speaker damping is due to both MECHANICALcharacteristics (Q_{ms}) and ELECTRICAL characteristic s(Q_{es}). A speaker's TOTAL DAMPLING VALUE is referring as Q_{ts}.
- SPL** : This value means the sensitivity of the speaker.
- X_{max}** : The overall distance (in millimeters) the cone and voice coil travel in a single excursion is referred to as X_{max}.
- VAS** : This value describes(in cubic feet) the maximum amount fo air which is displaced by the speaker cone in a sinle excursion.

PPA6



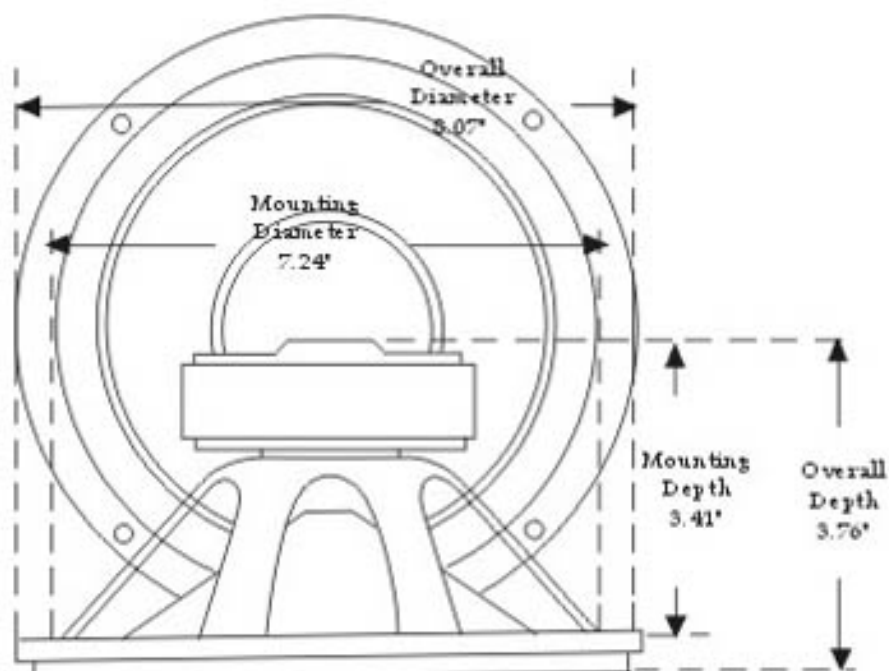
SPECIFICATIONS

PYLE PRO PREMIUM-SERIES-Woofer for small enclosures

Performance Parameters		Physical & Installation Parameters	
Power (Watts Peak/RMS)	400/150	Voice Coil	1"KSV
Nom. Impedance	8	Magnet	30 oz
F _s (Hz)	94.3	Cone	Paper
Q _{ms}	2.97	Surround	Cloth
Q _{es}	1.27	Spider	Super
Q _{ts}	0.89	Dust cap	Poly-concave
SPL (db)	88.5	Frame	Stamped Steel
X-max (mm)		Terminals	Spade
V _{as} (cu ft)	0.148	Backplate	Bumped & Vented

PYLE PRO Continually strives to improve the performance and value of its products- all specifications are subject to change.

PPA8



SPECIFICATIONS

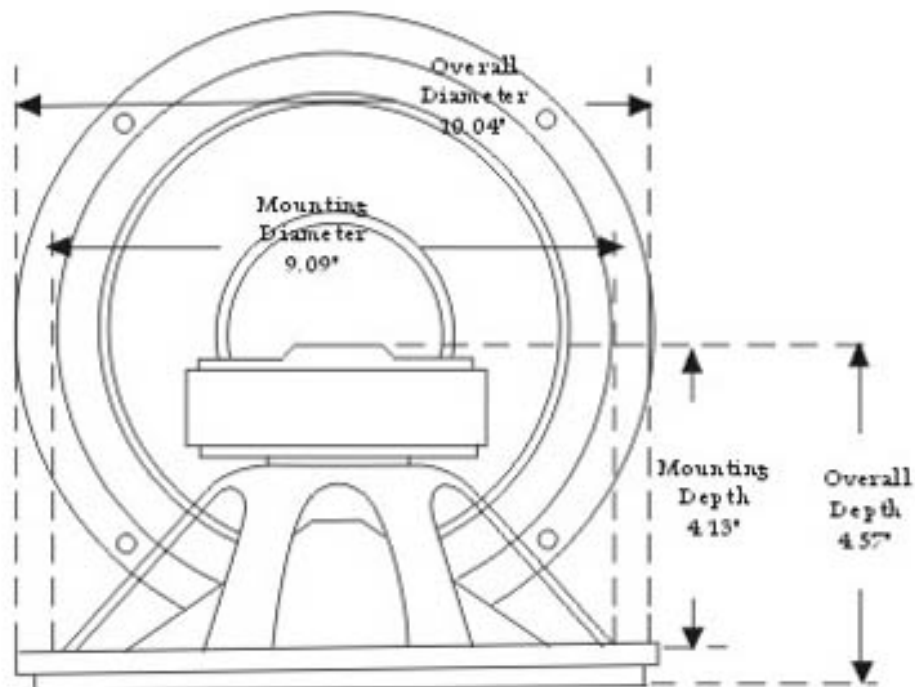
PYLE PRO PREMIUM-SERIES-Woofer for small enclosures

Performance Parameters		Physical & Installation Parameters	
Power (Watts Peak/RMS)	500/200	Voice Coil	1.2"KSV
Nom. Impedance	8	Magnet	40 oz
F _s (Hz)	60.7	Cone	Paper
Q _{ms}	2.99	Surround	Cloth
Q _{es}	0.991	Spider	Super
Q _{ts}	0.69	Dust cap	Poly-concave
SPL (db)	89.2	Frame	Stamped Steel
X-max (mm)		Terminals	Spade
V _{as} (cu ft)	0.696	Backplate	Bumped & Vented

PYLE PRO Continually strives to improve the performance and value of its products- all specifications are subject to change.

PYLE PRO PPA SERIES-4

PPA10



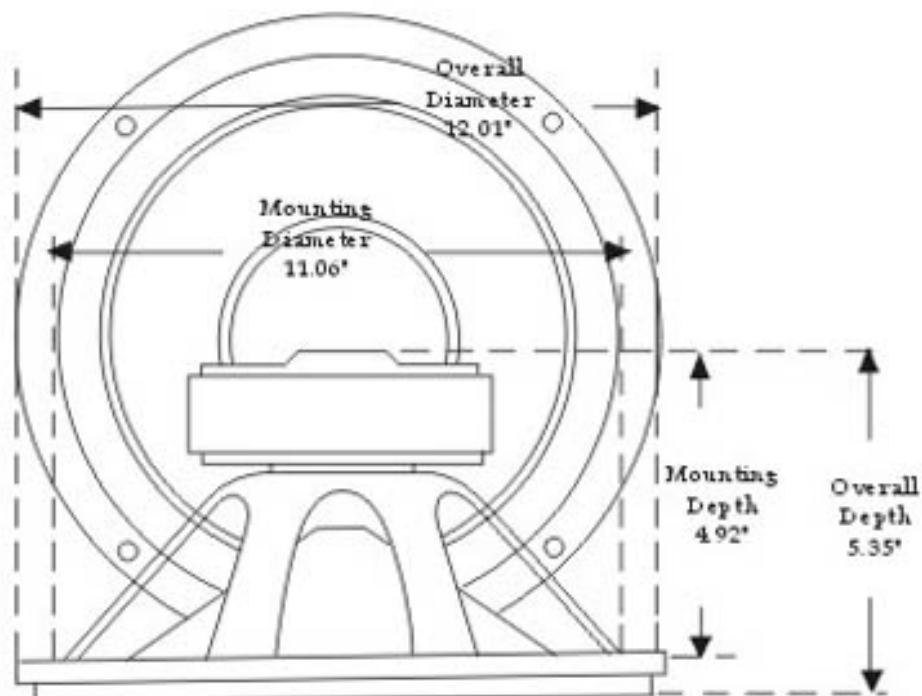
SPECIFICATIONS

PYLE PRO PREMIUM-SERIES-Woofer for small enclosures

Performance Parameters		Physical & Installation Parameters	
Power (Watts Peak/RMS)	600/200	Voice Coil	1.5"KSV
Nom. Impedance	8	Magnet	50 oz
F _s (Hz)	45	Cone	Paper
Q _{ms}	2.67	Surround	Cloth
Q _{es}	0.911	Spider	Super
Q _{ts}	0.68	Dust cap	Poly-concave
SPL (db)	89.2	Frame	Stamped Steel
X-max (mm)		Terminals	Spade
V _{as} (cu ft)	1.69	Backplate	Bumped & Vented

PYLE PRO Continually strives to improve the performance and value of its products- all specifications are subject to change.

PPA12



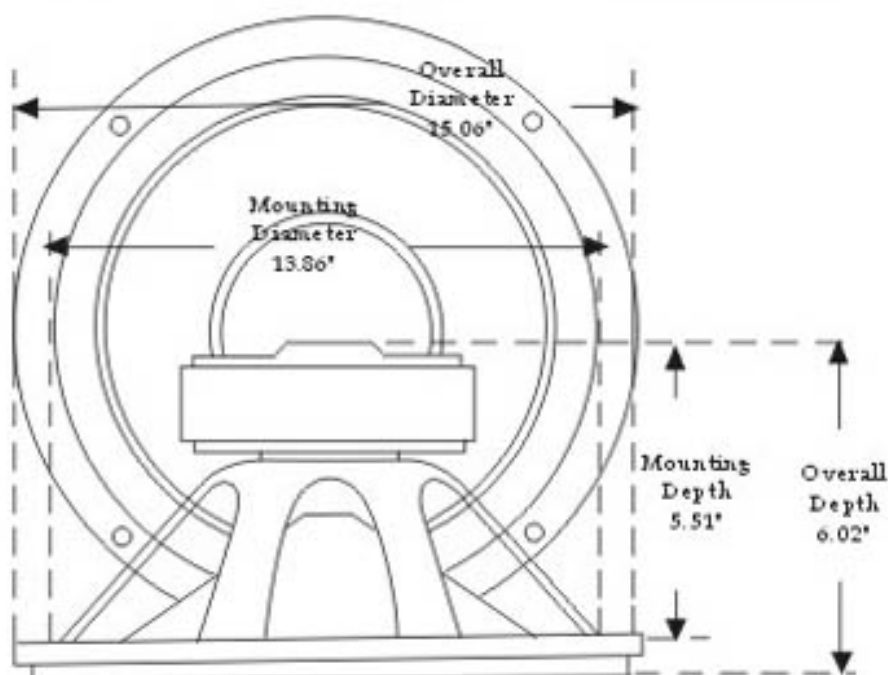
SPECIFICATIONS

PYLE PRO PREMIUM-SERIES-Woofer for small enclosures

Performance Parameters		Physical & Installation Parameters	
Power (Watts Peak/RMS)	700/200	Voice Coil	2"KSV
Nom. Impedance	8	Magnet	60 oz
F _s (Hz)	35.5	Cone	Paper
Q _{ms}	2.62	Surround	Cloth
Q _{es}	0.88	Spider	Super
Q _{ts}	0.66	Dust cap	Poly-concave
SPL (db)	90.0	Frame	Stamped Steel
X-max (mm)		Terminals	Spade
V _{as} (cu ft)	4.517	Backplate	Bumped & Vented

PYLE PRO Continually strives to improve the performance and value of its products- all specifications are subject to change.

PPA15



SPECIFICATIONS

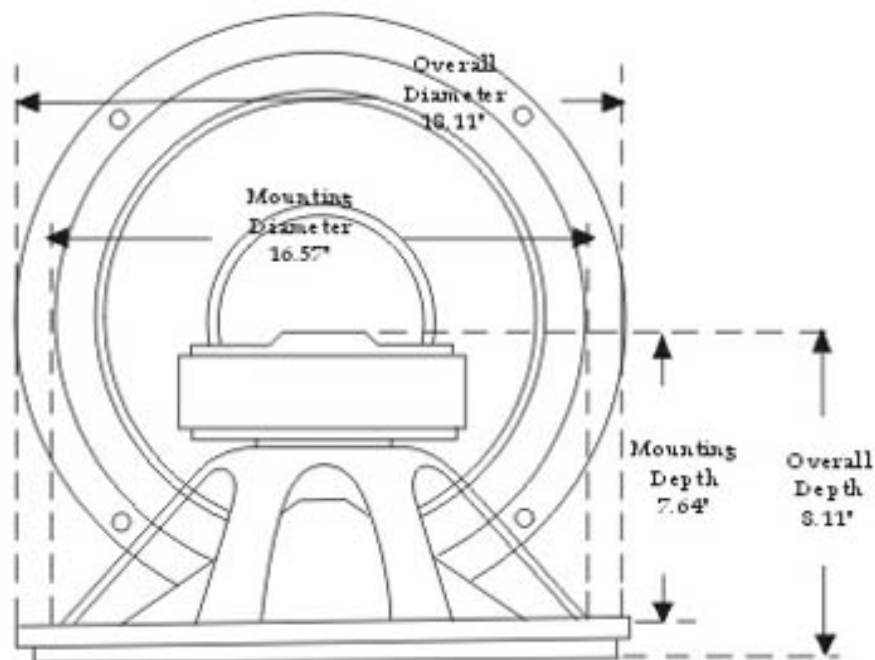
PYLE PRO PREMIUM-SERIES-Woofer for small enclosures

Performance Parameters		Physical & Installation Parameters	
Power (Watts Peak/RMS)	800/250	Voice Coil	2.5"KSV
Nom. Impedance	8	Magnet	70 oz
F _s (Hz)	26.7	Cone	Paper
Q _{ms}	2.69	Surround	Cloth
Q _{es}	0.89	Spider	Super
Q _{ts}	0.67	Dust cap	Poly-concave
SPL (db)	90.2	Frame	Stamped Steel
X-max (mm)		Terminals	Spade
V _{as} (cu ft)	11.357	Backplate	Bumped & Vented

PYLE PRO Continually strives to improve the performance and value of its products- all specifications are subject to change.

PYLE PRO PPA SERIES-7

PPA18



SPECIFICATIONS

PYLE PRO PREMIUM-SERIES-Woofer for small enclosures

Performance Parameters		Physical & Installation Parameters	
Power (Watts Peak/RMS)	1000/300	Voice Coil	3"KSV
Nom. Impedance	8	Magnet	100 oz
F _s (Hz)	24.2	Cone	Paper
Q _{ms}	1.34	Surround	Cloth
Q _{es}	0.55	Spider	Super
Q _{ts}	0.39	Dust cap	Poly-concave
SPL (db)	94	Frame	Stamped Steel
X-max (mm)		Terminals	Spade
V _{as} (cu ft)	17.77	Backplate	Bumped & Vented

PYLE PRO Continually strives to improve the performance and value of its products- all specifications are subject to change.

PYLE PRO PPA SERIES-8

X-ON Electronics

Largest Supplier of Electrical and Electronic Components

Click to view similar products for [pyle manufacturer](#):

Other Similar products are found below :

[PDS442](#) [PSPVC6](#) [PDWM4300](#) [PDWM4400](#) [PDMW6](#) [PDBT28](#) [PDJSD2](#) [PLRSTND10](#) [PLG3.2](#) [PSCRIM2B](#) [PSCRIM2W](#) [PDWM2115](#)
[PDWM1904](#) [PSTND1](#) [PPA15](#) [PPA10](#) [PDS341](#) [PDS122](#) [PDMW5](#) [PLAM40](#) [PFN41](#) [PCT40](#) [PPA6](#) [PDMR6](#) [PPA8](#) [PDS221](#)