

NOTE:
 1. MATERIAL:
 a. HOUSING: THERMOPLASTIC GLASS FIBRE UL94V-0
 b. CONTACT: PHOSPHOR BRONZE
 (SURFACE PLATING: Sn100u"~Sn100u")
 SEE ORDERING INFORMATION
 2. ELECTRIC:
 a. CONTACT RESISTANCE: 30 MILLIOHMS MAX
 b. INSULATION RESISTANCE: 1000 MEGA OHMS MIN
 c. DIELECTRIC VOLTAGE: 500V AC ONE SEC LEVEL
 d. OPERATING TEMPERATURE: -55C~ +85C

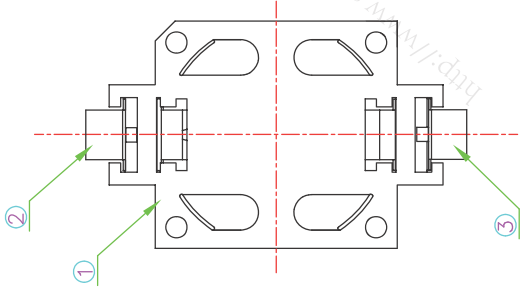
ORDERING INFORMATION

BS-16-A**0*0026

PLATING:
 J-Sn100U"~120U"
 K-Sn150U"
 A-Au 1u"
 1A-Au 3u"
 CRUST:
 0-WITHOUT

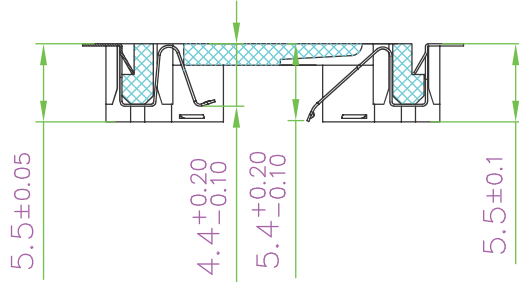
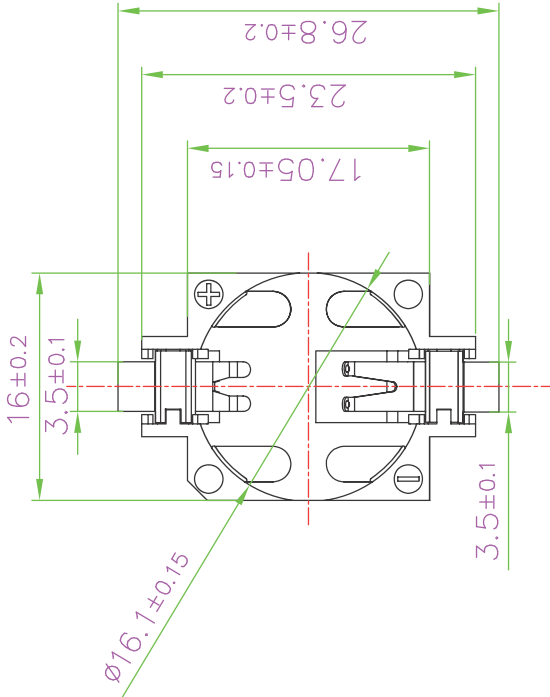
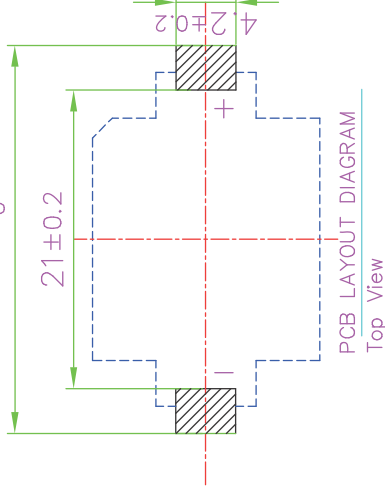
电池座系列
 BS-16系列
 SMT 180° TYPE

MATERIAL:
 1A-LCP WHITE
 1B-LCP BLACK
 2A-PA66 WHITE
 2B-PA66 BLACK
 3A-PBT WHITE
 3B-PBT BLACK



27.3 \pm 0.2

21 \pm 0.2



Tolerance: Unless otherwise specified

TOLERANCE

LINEAR	ANGLE	3	TERMINAL-2	PHOSPHOR BRONZE	Sn-Plated
x. ±1	x.° ±5'	2 <th>TERMINAL-1</th> <th>PHOSPHOR BRONZE</th> <th>Sn-Plated</th>	TERMINAL-1	PHOSPHOR BRONZE	Sn-Plated
.x ±0.38	.x' ±2'	1 <th>HOUSING</th> <th>LCP</th> <th>WHITE</th>	HOUSING	LCP	WHITE
.xx ±0.25	.xx' ±1'	NO.	PART NAME	MATERIAL	COLOR/FINISHED
.xxx ±0.10	.xxx' ±1'				

日期 DATE	单位 UNITS	审核 CHECK	BATTERY HDLDR	PART NO.
2013. 11. 21	mm	QJ.LIU		BS-1632-1
比例 SCALE	制图 DRAW	设计 DESIGN	TITLE:	
1/1	QJ.QILIU	QJ.HUAN	QJ-1632SMT电池座	

X-ON Electronics

Largest Supplier of Electrical and Electronic Components

Click to view similar products for [Coin Cell Battery Holders](#) category:

Click to view products by [Q&J](#) manufacturer:

Other Similar products are found below :

[PDSN-11-D](#) [799-2007](#) [BH44AAB](#) [BH48DL](#) [BH8000](#) [MY-2430-01-R](#) [BS-16-B4AA006-R](#) [KH-CR1220-2](#) [BH-18650-A1AJ006](#) [BS-02-A1BK007](#) [BH-18650-A1AJ005](#) [BS-12-B3AA009-R](#) [BS-02-A1AK010-X](#) [BS-02-A1AJ010](#) [BS-03-A1AJ001](#) [MY-FJ-131-J-R](#) [MY-FJ-04-J-R](#) [BS-08-B2AA025](#) [BS-24-A1AJ017](#) [BH-18650-A5BJ001-2D](#) [BS-12-A1AJ002-Z](#) [BS-08-B2AA032](#) [MY-2032-04-R](#) [BS-12-B3AA011-R](#) [BS-621-B4AA001-R](#) [MY-ZJ-110](#) [MY-FJ-127-R](#) [BS-06-B4AA002-R](#) [MY-1220-04](#) [BH-AAA-A1AJ001](#) [BS-12-B3AA003-T](#) [MY-FJ-115II-R](#) [BS-06-B4AK001-R](#) [BH-18650-B1BA007](#) [MY-FJ-115II](#) [BH-AAA-B5AA001](#) [BE-13-017](#) [MY-2477-01](#) [BS-12-B3AA013](#) [BC-25-5PD-300](#) [BS-08-B2AA016-R](#) [MY-AAA-22-J](#) [MY-AA-14-J](#) [MY-AAA-24-J](#) [MY-2032-28](#) [BS-06-A4BK016](#) [MY-FJ-01](#) [MY-1025-01](#) [MY-AA-5355-J](#) [BS-05-A1BJ018](#)