

QWTD series

Wall Mount LED Signal Towers with Built-in Siren



Wall mount signal tower with built-in audible alarm is now available!

- **WS (5 Warning sounds)**
- **WP (5 Special warning sounds)**
- **WM (5 Melodies)**
- **WA (5 Alarms)**



QWTD series



QWTD Speaker

QWTD embedded speaker design minimizes risk of contamination from debris while providing efficient sound output.

QWTD Ø70mm Wall Mount LED Steady/Flashing Signal Towers

- Wall mount model that minimizes the chance of damage from moving obstacles or personnel
- Superior side visibility with round-shaped lens
- 5 selectable sound pattern combinations (5 warning sounds, 5 special warning sounds, 5 melodies, 5 alarms)
- Selectable between steady/flashing mode with proper wire arrangement
- Standard color arrangements
 - 1 Layer : ● Red
 - 2 Layers : ● Red ● Green
 - 3 Layers : ● Red ● Amber ● Green
 - 4 Layers : ● Red ● Amber ● Green ● Blue
 - 5 Layers : ● Red ● Amber ● Green ● Blue ● Clear White
- Available for customized color arrangements
- Built-in siren sound volume (Max 85dB at 1m)
- Materials : Lens-PC, Cover-ABS, Case-ABS
- Ambient operating temperature : -30°C to +50°C
- Protection rating : IP54
- Certificates : CE Compliant
- Compliant with RoHS directive

Specifications

Model number	Layer	Voltage	Current	Certificates	Weight	Color
QWTDL Steady QWTDLF Steady/ Flashing	1	AC/DC12V	0.065A	CE DC Only	0.14kg	● R-Red
		AC/DC24V	0.050A		0.14kg	
		AC110V-220V	Max 0.025A		0.27kg	
	2	AC/DC12V	0.130A		0.18kg	● R-Red ● G-Green
		AC/DC24V	0.050A		0.18kg	
		AC110V-220V	Max 0.050A		0.32kg	
	3	AC/DC12V	0.195A		0.23kg	● R-Red ● A-Amber ● G-Green
		AC/DC24V	0.150A		0.23kg	
		AC110V-220V	Max 0.075A		0.36kg	
	4	AC/DC12V	0.260A		0.27kg	● R-Red ● A-Amber ● G-Green ● B-Blue
		AC/DC24V	0.200A		0.27kg	
		AC110V-220V	Max 0.100A		0.41kg	
	5	AC/DC12V	0.325A		0.32kg	● R-Red ● A-Amber ● G-Green ● B-Blue ● W-White
		AC/DC24V	0.250A		0.32kg	
		AC110V-220V	Max 0.125A		0.45kg	

- QWTD-WS** 5 Pre-Recorded Warning Sounds
- QWTD-WP** 5 Pre-Recorded Special Warning Sounds
- QWTD-WM** 5 Pre-Recorded Melodies
- QWTD-WA** 5 pre-Recorded Alarms

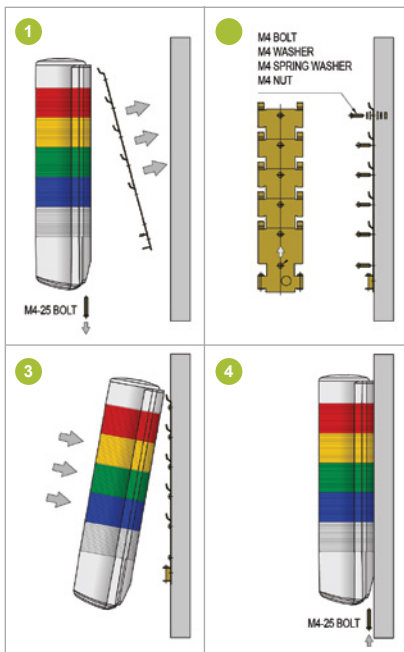
- ※ AC type model has a free-voltage range of 100V-240V.
- ※ Please refer to page 22 for detailed information about selectable sound patterns.

Signal/Audible Line Power Consumption (per each layer)

Voltage Rating	AC/DC12V	AC/DC24V	AC110V-220V
Signal Line Power Current	0.040A	0.040A	Max 0.024A
Audible Line Power Current	0.300A	0.160A	Max 0.031A

- ※ You can even rearrange the pre-assembled LED color arrangements after installation.

How to mount

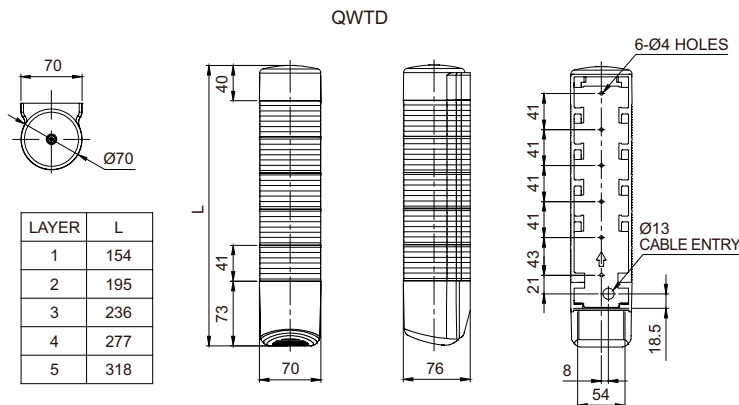


- 1 Dismantle body and mount by loosening two M4 bolts at the bottom of the lamp
- 2 Put the mounting bracket on the mounting hole
- 3 Hang the lamp on the mount
- 4 Fasten two M4 bolts at the bottom of the lamp after completing installation on the mount

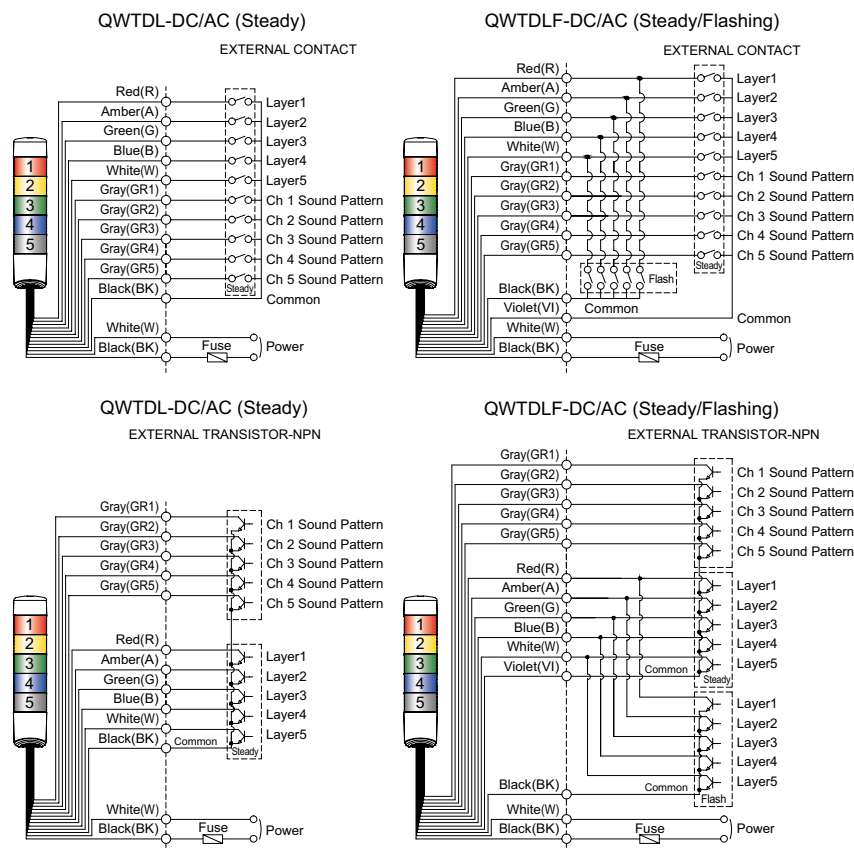


Technical Diagram

(Units : mm)



Wiring Instructions



- Wiring both external power line and transistor
- QWTD allows steady/flash mode by wiring
- External power line standard, UL1015 AWG18(0.75sq)×2C 400mm
- Signal line standard, UL1007 AWG22(0.3sq) 400mm
- Product can be wired regardless of polarity



Customization

- Special color combinations



Ordering Specification

QWTDL	WS	3	110/220	RAG
[Model number]	[Sounds]	[Layers]	[Voltage]	[Color]
<ul style="list-style-type: none"> • QWTDL • QWTDLF 	<ul style="list-style-type: none"> • WS-Warning sound • WP-Special warning sound • WM-Melody • WA-Alarm 	<ul style="list-style-type: none"> • 1-1Layer • 2-2Layers • 3-3Layers • 4-4Layers • 5-5Layers 	<ul style="list-style-type: none"> • 12-DC12V • 24-DC24V • 110/220 • -AC110V-220V 	<ul style="list-style-type: none"> • R-Red • A-Amber • G-Green • B-Blue • W-White



Warning/
Signal/
Stackable



Signal &
Electric Horn/
Speakers



Vessels and
Heavy-Duty
Equipment



Explosion
Proof



Warning
Light Bar



Aviation
Obstruction
Lights



Signal Tower
Lights



USB/ETN
Signal Tower
Lights



Electric Horn/
Speakers



Industrial
LED Lights

X-ON Electronics

Largest Supplier of Electrical and Electronic Components

Click to view similar products for [Audio Indicators & Alerts](#) category:

Click to view products by [QLIGHT](#) manufacturer:

Other Similar products are found below :

[M2BJ-BH24E](#) [6-4](#) [68S1240-PA](#) [MBA-624](#) [F/BC 40P-DR LF](#) [FDG111PLF](#) [F/NRMB 24 BLACK LF](#) [PF-35N29WQ](#) [PFD-27A35PQ](#) [PL-27A35PSQ](#) [PS-531Q](#) [AB2020B-2-LW1](#) [EBPT-401](#) [PB06SD12AP](#) [PB-1220PEQ](#) [S6109](#) [SC2036ACP](#) [SC616N-2](#) [SC628FW](#) [SC628MPG](#) [SC648D](#) [SCS045MD9DT3S](#) [AB2025B-LW50-R](#) [ESZ-25B-5-250B](#) [F/BC 35-DR LF](#) [FCM12PLF](#) [F/EB20P-DR LF](#) [F/HU110MP24V-IP67B LF](#) [AI-2835-TF-LW150-2-R](#) [AI-4228-TF-LW305-R](#) [FSMD8585JSLF](#) [FSS-26T](#) [F/SU 21-02 LF](#) [F/TCW 05 WITH LABEL LF](#) [F/UCW 03 WITH LABEL LF](#) [F/UCW 06 WITH LABEL LF](#) [PKM22EPPH40S1-B0](#) [PKM35-4A0](#) [PL-35N29WQ](#) [PLD-27A35PQ](#) [PS-552Q](#) [CM-5](#) [M2BJ-BH24E-D](#) [REF-202](#) [LSC628ANR](#) [5-100](#) [PAL-328](#) [03-810.001](#) [RTO-1R07-001](#) [PL-21N31PQ](#) [PF-27A25PSQ](#)