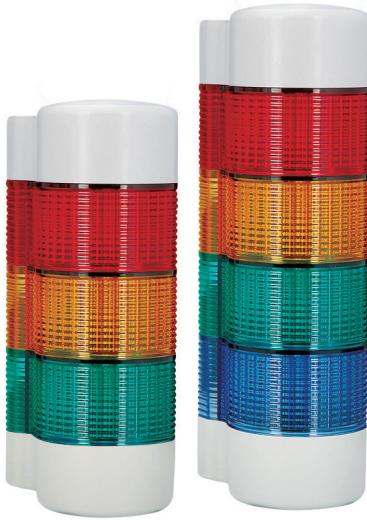
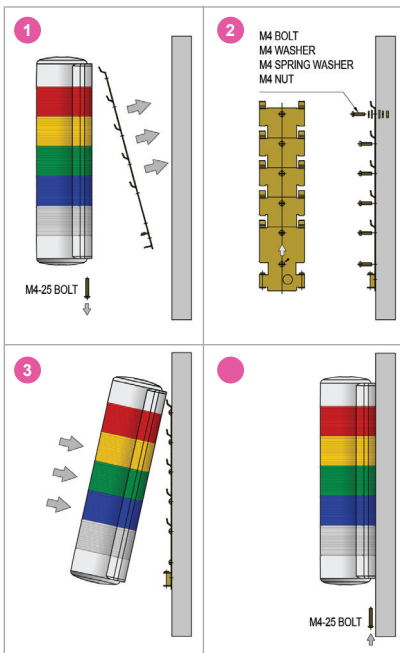


QWT series



QWT series

Mounting Instructions



- Loosen the two M4 bolts on the bottom of the bracket and remove the body
- Attach the bracket to the wall with screws into the mounting holes
- Hang the unit onto the bracket
- After attaching the unit to the bracket, secure the two pieces together with the M4 bolts at the bottom of the product

Customization

- Available in customized color arrangements

Wall Mount LED Steady/Flashing Signal Towers

QWT Wall Mount, LED Steady/Flashing

- Wall mount model that minimizes the chance of breakage from moving obstacles
- The use of a circular lens design for the product improves visibility at the sides
- LED light distribution structure that directly radiates light to the user provides excellent visibility
- Flashing rate : 60-80 flashes/min
- Built-in buzzer available (Volume : Max 85dB at 1m)
- Materials : Lens-PC, Housing-ABS
- Ambient operating temperature : -30°C to +50°C
- Protection rating : IP54
- Certificates : CE Compliant, UL Listed
- Compliant with RoHS directive

Model number	Layer	Voltage	Current	Certificates	Weight	Color
QWTL Steady QWTL-BZ Steady /w built-in buzzer QWTLF Steady/Flashing QWTLF-BZ Steady/Flashing /w built-in buzzer	1	AC/DC12V AC/DC24V AC110V-220V	0.065A 0.050A Max 0.025A	CE DC only UL DC24V only	0.34kg 0.34kg 0.36kg	• R-Red
	2	AC/DC12V AC/DC24V AC110V-220V	0.130A 0.100A Max 0.050A		0.41kg 0.41kg 0.43kg	• R-Red • G-Green
	3	AC/DC12V AC/DC24V AC110V-220V	0.195A 0.150A Max 0.075A		0.48kg 0.48kg 0.50kg	• R-Red • A-Amber • G-Green
	4	AC/DC12V AC/DC24V AC110V-220V	0.260A 0.200A Max 0.100A		0.55kg 0.55kg 0.57kg	• R-Red • A-Amber • G-Green • B-Blue
	5	AC/DC12V AC/DC24V AC110V-220V	0.325A 0.250A Max 0.125A		0.62kg 0.62kg 0.64kg	• R-Red • A-Amber • G-Green • B-Blue • W-White

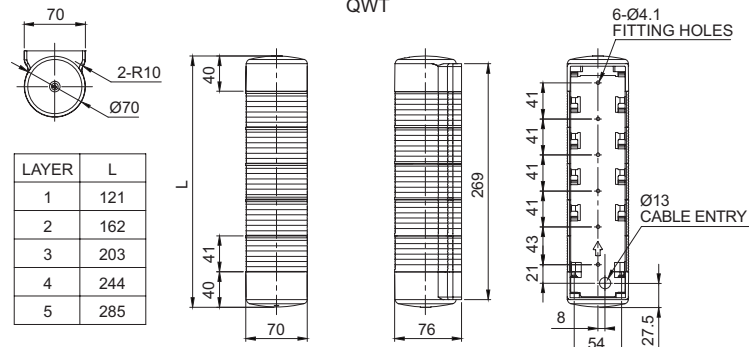
* AC type model has a free-voltage range of 100V-240V.

Signal/ Audible Line Current(per each layer)

Voltage	AC/DC12V	AC/DC24V	AC110V-220V
Signal line current	0.065A	0.050A	Max 0.025A
Audible line current	0.034A	0.078A	Max 0.016A

Technical Diagram

(Units : mm)



Ordering Specification

QWTL	-	3	-	110/220	-	RAG
[Model number]		[Layer]		[Voltage]		[Color]
• QWTL • QWTL-BZ • QWTLF • QWTLF-BZ		• 1-1Layer • 2-2Layers • 3-3Layers • 4-4Layers • 5-5Layers		• 12-DC12V • 24-DC24V • 110/220 • -AC110V-220V		• R-Red • A-Amber • G-Green • B-Blue • W-White



QWT series

Wall Mount LED Steady/Flashing Signal Towers



Wiring Instructions

- QWT series can be wired by using both external contact and transistor.
- In case of wiring by transistor, please make sure if it is NPN type or PNP type. Please carefully follow wiring instructions below.
- Product can be wired regardless of polarity.

	External Contact	Transistor
DC Steady	<p>QWTL-DC EXTERNAL CONTACT</p> <p>Red(R) Layer 1 Amber(A) Layer 2 Green(G) Layer 3 Blue(B) Layer 4 White(W) Layer 5 Brown(BN) Buzzer Black(BK) Fuse Power</p>	<p>QWTL-DC EXTERNAL TRANSISTOR-NPN EXTERNAL TRANSISTOR-PNP</p> <p>Red(R) Layer 1 Amber(A) Layer 2 Green(G) Layer 3 Blue(B) Layer 4 White(W) Layer 5 Brown(BN) Buzzer Black(BK) Fuse Power</p>
DC Steady/Flashing	<p>QWTLF-DC EXTERNAL CONTACT</p> <p>Red(R) Layer 1 Amber(A) Layer 2 Green(G) Layer 3 Blue(B) Layer 4 White(W) Layer 5 Brown(BN) Buzzer Black(BK) Common White(W) Fuse Power</p>	<p>QWTLF-DC EXTERNAL TRANSISTOR-PNP</p> <p>Red(R) Layer 1 Amber(A) Layer 2 Green(G) Layer 3 Blue(B) Layer 4 White(W) Layer 5 Brown(BN) Buzzer Black(BK) Common White(W) Fuse Power</p>
AC Steady	<p>QWTL-AC EXTERNAL CONTACT</p> <p>Red(R) Layer 1 Amber(A) Layer 2 Green(G) Layer 3 Blue(B) Layer 4 White(W) Layer 5 Brown(BN) Buzzer Black(BK) Common White(W) Fuse Power</p>	<p>QWTL-AC EXTERNAL TRANSISTOR-PNP</p> <p>Red(R) Layer 1 Amber(A) Layer 2 Green(G) Layer 3 Blue(B) Layer 4 White(W) Layer 5 Brown(BN) Buzzer Black(BK) Common White(W) Fuse Power</p>
AC Steady/Flashing	<p>QWTLF-AC EXTERNAL CONTACT</p> <p>Red(R) Layer 1 Amber(A) Layer 2 Green(G) Layer 3 Blue(B) Layer 4 White(W) Layer 5 Brown(BN) Buzzer Black(BK) Common Gray(GR) Common White(W) Fuse Power</p>	<p>QWTLF-AC EXTERNAL TRANSISTOR-PNP</p> <p>Red(R) Layer 1 Amber(A) Layer 2 Green(G) Layer 3 Blue(B) Layer 4 White(W) Layer 5 Brown(BN) Buzzer Black(BK) Common Gray(GR) Common White(W) Fuse Power</p>

- DC steady type : External power line and signal line standard : UL1007 AWG22(0.3sq) 400mm
- AC steady, AC/DC steady/flashing type : External power line standard : UL1015 AWG18(0.75sq)×2C 400mm
Signal line standard : UL1007 AWG22(0.3sq) 400mm

X-ON Electronics

Largest Supplier of Electrical and Electronic Components

Click to view similar products for [Audio Indicators & Alerts](#) category:

Click to view products by [QLIGHT](#) manufacturer:

Other Similar products are found below :

[M2BJ-BH24E](#) [6-4](#) [68S1240-PA](#) [MBA-624](#) [F/BC 40P-DR LF](#) [FDG111PLF](#) [F/NRMB 24 BLACK LF](#) [PF-35N29WQ](#) [PFD-27A35PQ](#) [PL-27A35PSQ](#) [PS-531Q](#) [AB2020B-2-LW1](#) [EBPT-401](#) [PB06SD12AP](#) [PB-1220PEQ](#) [S6109](#) [SC2036ACP](#) [SC616N-2](#) [SC628FW](#) [SC628MPG](#) [SC648D](#) [SCS045MD9DT3S](#) [AB2025B-LW50-R](#) [ESZ-25B-5-250B](#) [F/BC 35-DR LF](#) [FCM12PLF](#) [F/EB20P-DR LF](#) [F/HU110MP24V-IP67B](#) [LF](#) [AI-2835-TF-LW150-2-R](#) [AI-4228-TF-LW305-R](#) [FSMD8585JSLF](#) [FSS-26T](#) [F/SU 21-02 LF](#) [F/TCW 05 WITH LABEL LF](#) [F/UCW 03 WITH LABEL LF](#) [F/UCW 06 WITH LABEL LF](#) [PKM22EPPH40S1-B0](#) [PKM35-4A0](#) [PL-35N29WQ](#) [PLD-27A35PQ](#) [PS-552Q](#) [CM-5](#) [M2BJ-BH24E-D](#) [REF-202](#) [LSC628ANR](#) [5-100](#) [PAL-328](#) [03-810.001](#) [RTO-1R07-001](#) [PL-21N31PQ](#) [PF-27A25PSQ](#)