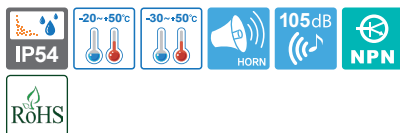


S100D series



Various built-in sound tones of warning sounds, alarms and melodies



S100DLR



S100DL/ S100DS



S100D

Signal/ Warning Light and Electric Horn Combinations

Common Specifications(S100DLR/ S100DL/ S100DS/ S100D)

- Ø100mm signal/warning lights and electric horn combination provides both audible and visual signaling capability in one unit
- Can select the proper signaling effect from a variety of light sources and sound tones
- Materials : Lens-AS, Housing-ABS, Reflector-Heat resistant ABS
- Protection rating : IP54
- Compliant with RoHS directive (S100DLR/ S100DL)

S100DLR LED Revolving Light & Electric Horn

- Revolving speed : 120-140RPM
- Ambient operating temperature : -20°C to +50°C

Model number	Voltage	Current	Sound Pattern and Volume	Certificates	Weight	Color
S100DLR	DC12V	0.483A	<ul style="list-style-type: none"> • WS-5 Warning sounds : 105dB • WM-5 Melodies : 105dB • WA-5 Alarms : 103dB • WV-5 Customizable sounds : 95dB 	-	0.89kg	<ul style="list-style-type: none"> • R-Red • A-Amber • G-Green • B-Blue
	DC24V	0.327A			0.89kg	
	AC110V	0.120A			1.27kg	
	AC220V	0.060A			1.27kg	

S100DL LED Steady/Flashing Light & Electric Horn

- Flashing rate : 60-80 flashes/min
(Built-in switch for selection between steady and flashing mode)
- Ambient operating temperature : -30°C to +50°C
- Certificates : CE Compliant

Model number	Voltage	Current	Sound Pattern and Volume	Certificates	Weight	Color
S100DL	DC12V	0.411A	<ul style="list-style-type: none"> • WS-5 Warning sounds : 105dB • WM-5 Melodies : 105dB • WA-5 Alarms : 103dB • WV-5 Customizable sounds : 95dB 	CE	0.95kg	<ul style="list-style-type: none"> • R-Red • A-Amber • G-Green • B-Blue
	DC24V	0.315A			0.95kg	
	AC110V	0.114A			1.16kg	
	AC220V	0.057A			1.16kg	

S100DS Xenon Lamp Strobe Light & Electric Horn

- Flashing rate : 60-80 flashes/min
- Ambient operating temperature : -30°C to +50°C

Model number	Voltage	Current	Sound Pattern and Volume	Certificates	Weight	Bulb	Color
S100DS	DC12V	1.331A	<ul style="list-style-type: none"> • WS-5 Warning sounds : 105dB • WM-5 Melodies : 105dB • WA-5 Alarms : 103dB • WV-5 Customizable sounds : 95dB 	-	0.76kg	48	<ul style="list-style-type: none"> • R-Red • A-Amber • G-Green • B-Blue
	DC24V	0.899A			0.76kg		
	AC110V	0.231A			1.21kg		
	AC220V	0.155A			1.21kg		

S100D Bulb Revolving Light & Electric Horn

- Revolving Speed : 120-140RPM
- Ambient operating temperature : -20°C to +50°C
- Certificates : CE Compliant

Model number	Voltage	Current	Bulb			Sound Pattern and Volume	Certificates	Weight	Color
			Spec	Standard	Parts no				
S100D	DC12V	1.266A	12V10W	T16x35 15S	9	<ul style="list-style-type: none"> • WS-5 Warning sounds : 105dB • WM-5 Melodies : 105dB • WA-5 Alarms : 103dB • WV-5 Customizable sounds : 95dB 	CE DC24V only	0.96kg	<ul style="list-style-type: none"> • R-Red • A-Amber • G-Green • B-Blue
	DC24V	0.766A	24V10W	T16x35 15S	10			0.96kg	
	AC110V	0.187A	12V10W	T16x35 15S	9			1.38kg	
	AC220V	0.094A	12V10W	T16x35 15S	9			1.38kg	

※ Please refer to Page24 for detailed specification of sound tones.



Warning/Signal/Stackable



Signal & Electric Horn/Speakers



Vessels and Heavy-Duty Equipment



Explosion Proof



Warning Light Bar



Aviation Obstruction Lights



Signal Tower Lights



USB/ETN Signal Tower Lights



Wireless Network System



Electric Horn/Speakers



Industrial LED Lights

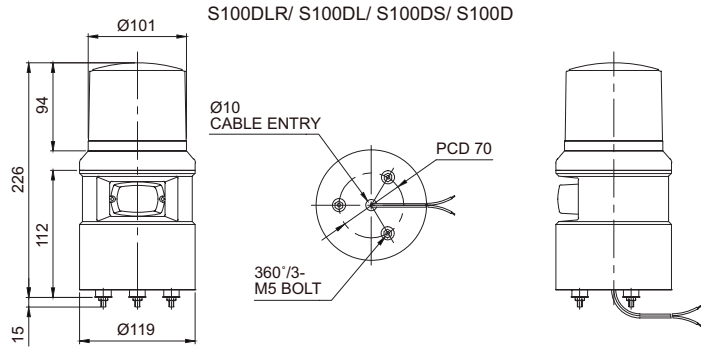
S100D series

Signal/ Warning Light and Electric Horn Combinations



Technical Diagram

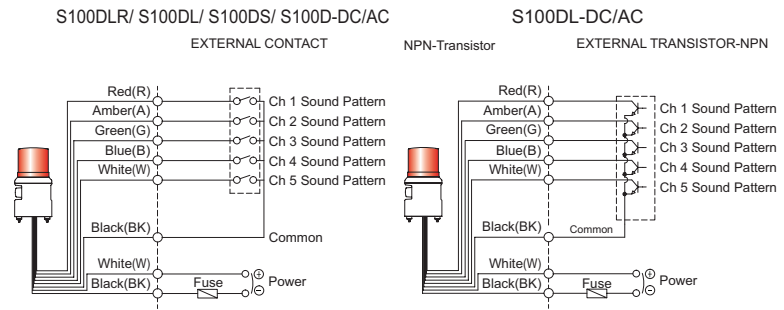
(Units : mm)



- S100D series come with prerecorded sounds.
- For WV(5Customized sounds)type, Input audio message needs to be provide by the customer prior to manufacturing.
- S100DL model wiring can be done with either external transistor wiring.
- In case of wiring by using transistor, NPN transistor is needed and follow the wiring diagram on the right in order to wire properly.



Wiring Instructions



- External power line standard : UL1015 AWG18(0.75sq)×2C 400mm
- External signal line standard : UL1007 AWG22(03sq) 400mm
- DC type : Black output line is negative(-)



Do not apply voltage to each signal line. It may cause damage to the product.
By default the warning light is turned on when the power is supplied, the voice/ alarm output is powered on by a separate connection. Please wire properly.



S100D applied to a metallic mold machine.



Ordering Specification

S100D	-	WA	-	220	-	R
[Model number]		[Sound]		[Voltage]		[Color]
<ul style="list-style-type: none"> • S100DLR • S100DL • S100DS • S100D 		<ul style="list-style-type: none"> • WS-Warning • WM-Melody • WA-Alarm • WV-Customizable sound 		<ul style="list-style-type: none"> • 12-DC12V • 24-DC24V • 110-AC110V • 220-AC220V 		<ul style="list-style-type: none"> • R-Red • A-Amber • G-Green • B-Blue

X-ON Electronics

Largest Supplier of Electrical and Electronic Components

Click to view similar products for [Industrial Panel Mount Indicators / Switch Indicators](#) category:

Click to view products by [QLIGHT](#) manufacturer:

Other Similar products are found below :

[LW1A-P1-GD](#) [LW1A-P1-W](#) [01-931.3](#) [01-152.025](#) [A0142N5](#) [APD106LN-G](#) [ATN2100](#) [HW1A-L1-GD](#) [HW1A-P2-GL](#) [HW1X-BM411-R](#)
[HW2A-L1-GL](#) [HWAZ1N-OB](#) [PAMR25](#) [LSPD-120A](#) [LSPD-1Y](#) [LSPD-6A](#) [LSPD-6DA](#) [LSPD-6DW](#) [LSPD-6DY](#) [LSPD-6R](#) [LSPD-6W](#)
[AL6H-LK3-A](#) [AL6M-LK1-MG](#) [AP8M155-G](#) [APN106L-O](#) [21-931.9](#) [CPSLED24](#) [AVLN3LD-R](#) [AYLW4L-G](#) [5000211OPAQUELENS](#)
[5.49227.0071301](#) [HW2A-L1-GD](#) [HW2A-P1-GL](#) [LAY-1](#) [LB6P-1T04A](#) [LB6P-1T04G](#) [LSPD-1A](#) [LSPD-1W](#) [LSPD-6DG](#) [LSPD-6DR](#) [LSPD-](#)
[6Y](#) [51-951.5](#) [10-2312.1062](#) [10-2312.1065](#) [10-2312.1069](#) [10-2313.1069](#) [10-4613.3102B](#) [10-4613.3104B](#) [10-5309.3202](#) [10-6412.3162](#)