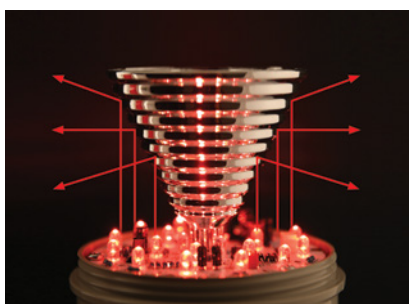


S100 series

Ø100mm LED Steady/ Flashing Signal Lights



S100L



Feature of indirect light diffusing system

Qlight's Indirect light diffusing system emits an intense and constant level of signal light via a multi-tiered reflector throughout the lens.

S100L LED Steady/ Flashing Signal Light

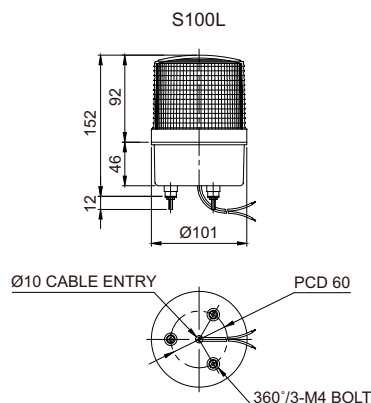
- Ø100mm multi-purpose LED steady/ flashing signal light
- Shock and vibration-resistant and easy maintenance with long-lasting LED
- Built-in switch for selection between steady and flashing mode
- Material : Lens - AS, Housing - ABS, Reflector - Heat resistant ABS
- Ambient operating temperature : -30°C to +50°C
- Protection rating : IP44
- Certificates : KIMM, CE Compliant
- Compliant with RoHS directive

Specifications

Model number	Voltage	Current	Certificates	Weight	Color
S100L	DC12V	0.182A	 DC only	0.26kg	<ul style="list-style-type: none"> • R-Red • A-Amber • G-Green • B-Blue
	DC24V	0.163A		0.26kg	
	AC110V	0.044A		0.45kg	
	AC220V	0.022A		0.45kg	

Technical Diagram

(Units : mm)



Wiring Instructions

- External power line standard : UL1015 AWG18(0.75sq)×2C 400mm
- Product can be wired regardless of polarity

Customization

- 2 buzzer sound types : Both prolonged (beep, beep) and staccato(beep, beep, beep) buzzer output available
- Wall mount bracket options : Bracket structure allows for threading through the bracket hole or into the wall mount



Wall Mount Bracket
SWP125



Wall Mount Bracket
SWM125

Ordering Specification

S100L	-	BZ	-	220	-	R
[Model number]		[Buzzer option]		[Voltage]		[Color]
• S100L		<ul style="list-style-type: none"> • None • No buzzer • BZ • Built-in buzzer 		<ul style="list-style-type: none"> • 12-DC12V • 24-DC24V • 110-AC110V • 220-AC220V 		<ul style="list-style-type: none"> • R-Red • A-Amber • G-Green • B-Blue

X-ON Electronics

Largest Supplier of Electrical and Electronic Components

Click to view similar products for [Audio Indicators & Alerts](#) category:

Click to view products by [QLIGHT](#) manufacturer:

Other Similar products are found below :

[M2BJ-BH24E](#) [6-4](#) [68S1240-PA](#) [MBA-624](#) [F/BC 40P-DR LF](#) [FDG111PLF](#) [F/NRMB 24 BLACK LF](#) [PF-35N29WQ](#) [PFD-27A35PQ](#) [PL-27A35PSQ](#) [PS-531Q](#) [AB2020B-2-LW1](#) [EBPT-401](#) [PB06SD12AP](#) [PB-1220PEQ](#) [S6109](#) [SC2036ACP](#) [SC616N-2](#) [SC628FW](#) [SC628MPG](#) [SC648D](#) [SCS045MD9DT3S](#) [AB2025B-LW50-R](#) [ESZ-25B-5-250B](#) [F/BC 35-DR LF](#) [FCM12PLF](#) [F/EB20P-DR LF](#) [F/HU110MP24V-IP67B LF](#) [AI-2835-TF-LW150-2-R](#) [AI-4228-TF-LW305-R](#) [FSMD8585JSLF](#) [FSS-26T](#) [F/SU 21-02 LF](#) [F/TCW 05 WITH LABEL LF](#) [F/UCW 03 WITH LABEL LF](#) [F/UCW 06 WITH LABEL LF](#) [PKM22EPPH40S1-B0](#) [PKM35-4A0](#) [PL-35N29WQ](#) [PLD-27A35PQ](#) [PS-552Q](#) [CM-5](#) [M2BJ-BH24E-D](#) [REF-202](#) [LSC628ANR](#) [5-100](#) [PAL-328](#) [03-810.001](#) [RTO-1R07-001](#) [PL-21N31PQ](#) [PF-27A25PSQ](#)