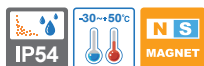


S125 series

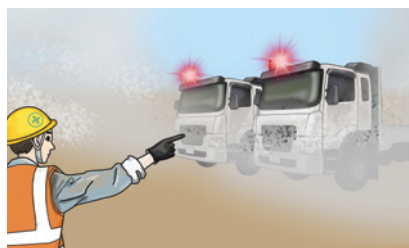
Ø125mm Xenon Strobe Signal Lights



S125S



S125SM



Excellent visibility in fog and dust environments.

Customization

- AC type(S125SM)
- Wall mount bracket options (S125S) : Bracket structure allows for threading through the bracket hole or into the wall mount



Wall Mount Bracket SWP125



Wall Mount Bracket SWM125

Common Specifications(S125S/ S125SM)

- Ø125mm xenon strobe signal lights
- High efficiency strobe light that offers excellent outdoor visibility and long-distance signal light luminance close to natural light
- Lamp connector for convenient lamp replacement
- Flashing rate : 60-80 flashes/min
- Materials : Lens-AS, Housing-ABS
- Ambient operating temperature : -30°C to +50°C
- Protection rating : IP54

S125S Xenon Strobe Signal Light

- Certificates : CE Compliant

Model number	Voltage	Current	Bulb			Certificates	Weight	Color
			Spec	Standard	Parts no			
S125S	DC12V	1.001A	200V -550V	EUB0641 -1A(G) U type	48	CE	0.37kg	• R-Red
	DC24V	0.616A					0.37kg	• A-Amber
	AC110V	0.133A					0.32kg	• G-Green
	AC220V	0.106A					0.32kg	• B-Blue

Wiring Instructions

- External power line standard : UL1015 AWG18(0.75sq)×2C 400mm
- Product can be wired regardless of polarity

S125SM Magnet Mount Xenon Strobe Signal Light

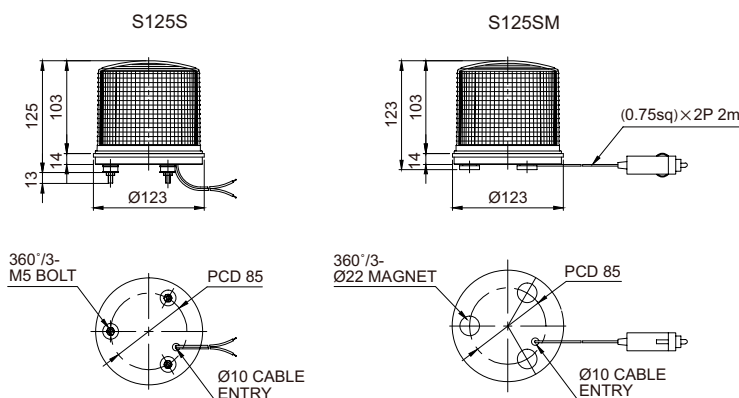
Model number	Voltage	Current	Bulb			Certificates	Weight	Color
			Spec	Standard	Parts no			
S125SM	DC12V	1.001A	220V -350V	EUB0641 -1A(G) U type	48	-	0.40kg	• R-Red
	DC24V	0.616A					0.40kg	• A-Amber

Wiring Instructions

- Cigarette lighter plug, IEC42(0.75sq)×2P 2m

Technical Diagram

(Units : mm)



Ordering Specification

S125S	-	220	-	R
[Model number]		[Voltage]		[Color]
• S125S • S125SM		• 12-DC12V • 24-DC24V • 110-AC110V • 220-AC220V		• R-Red • A-Amber • G-Green • B-Blue

X-ON Electronics

Largest Supplier of Electrical and Electronic Components

Click to view similar products for [Audio Indicators & Alerts](#) category:

Click to view products by [QLIGHT](#) manufacturer:

Other Similar products are found below :

[M2BJ-BH24E](#) [6-4](#) [68S1240-PA](#) [MBA-624](#) [F/BC 40P-DR LF](#) [FDG111PLF](#) [F/NRMB 24 BLACK LF](#) [PF-35N29WQ](#) [PFD-27A35PQ](#) [PL-27A35PSQ](#) [PS-531Q](#) [AB2020B-2-LW1](#) [EBPT-401](#) [PB06SD12AP](#) [PB-1220PEQ](#) [S6109](#) [SC2036ACP](#) [SC616N-2](#) [SC628FW](#) [SC628MPG](#) [SC648D](#) [SCS045MD9DT3S](#) [AB2025B-LW50-R](#) [ESZ-25B-5-250B](#) [F/BC 35-DR LF](#) [FCM12PLF](#) [F/EB20P-DR LF](#) [F/HU110MP24V-IP67B](#) [LF](#) [AI-2835-TF-LW150-2-R](#) [AI-4228-TF-LW305-R](#) [FSMD8585JSLF](#) [FSS-26T](#) [F/SU 21-02 LF](#) [F/TCW 05 WITH LABEL LF](#) [F/UCW 03 WITH LABEL LF](#) [F/UCW 06 WITH LABEL LF](#) [PKM22EPPH40S1-B0](#) [PKM35-4A0](#) [PL-35N29WQ](#) [PLD-27A35PQ](#) [PS-552Q](#) [CM-5](#) [M2BJ-BH24E-D](#) [REF-202](#) [LSC628ANR](#) [5-100](#) [PAL-328](#) [03-810.001](#) [RTO-1R07-001](#) [PL-21N31PQ](#) [PF-27A25PSQ](#)