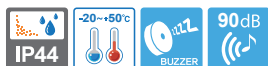


S80 series

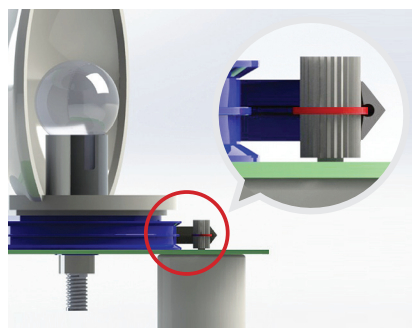
Ø80mm Bulb Revolving Warning Lights



S80R



S80U



V belt type power transfer system feature

Designed to minimize the abrasion of the belt, and to efficiently deliver torque from the drive shaft to the reflector.
(Patent registered)

S80R/ S80U Bulb Revolving Warning Lights

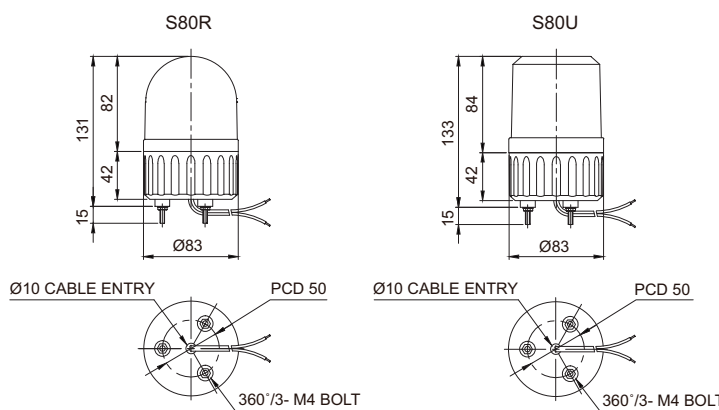
- Ø80mm bulb revolving warning lights
- Adopts a special power transmission system that reduces noise and wear
- Built-in buzzer available (Volume : Max 90dB at 1m)
- Revolving speed : 120-140RPM
- Materials : Lens-AS, Housing-ABS, Reflector-Heat resistant ABS
- Ambient operating temperature : -20°C to +50°C
- Protection rating : IP44
- Certificates : CE Compliant

Specifications

| Model number | Voltage | Current | Bulb | | | Certificates | Weight | Color |
|--------------|---------|---------|-------|------------|----------|--------------|--------|---|
| | | | Spec | Standard | Parts no | | | |
| S80R | DC12V | 0.484A | 12V5W | T16x35 15S | 5 | CE | 0.28kg | <ul style="list-style-type: none"> • R-Red • A-Amber • G-Green • B-Blue |
| | DC24V | 0.310A | 24V5W | T16x35 15S | 6 | | 0.28kg | |
| S80U | AC110V | 0.080A | 12V5W | T16x35 15S | 5 | - | 0.48kg | |
| | AC220V | 0.040A | 12V5W | T16x35 15S | 5 | | 0.48kg | |

Technical Diagram

(Units : mm)



Wiring Instructions

- External power line standard : UL1015 AWG18(0.75sq)×2C 400mm
- DC Type : Black output line is negative(-)

Customization

- Wall mount bracket options :
Bracket structure allows for threading through the bracket hole or into the wall mount



Ordering Specification

| | | | | | | |
|--|---|--|---|--|---|---|
| S80U | - | BZ | - | 220 | - | R |
| [Model number] | | [Buzzer option] | | [Voltage] | | [Color] |
| <ul style="list-style-type: none"> • S80R • S80U | | <ul style="list-style-type: none"> • None - No buzzer • BZ - Built-in buzzer | | <ul style="list-style-type: none"> • 12-DC12V • 24-DC24V • 110-AC110V • 220-AC220V | | <ul style="list-style-type: none"> • R-Red • A-Amber • G-Green • B-Blue |

X-ON Electronics

Largest Supplier of Electrical and Electronic Components

Click to view similar products for [Audio Indicators & Alerts](#) category:

Click to view products by [QLIGHT](#) manufacturer:

Other Similar products are found below :

[M2BJ-BH24E](#) [6-4](#) [68S1240-PA](#) [MBA-624](#) [F/BC 40P-DR LF](#) [FDG111PLF](#) [F/NRMB 24 BLACK LF](#) [PF-35N29WQ](#) [PFD-27A35PQ](#) [PL-27A35PSQ](#) [PS-531Q](#) [AB2020B-2-LW1](#) [EBPT-401](#) [PB06SD12AP](#) [PB-1220PEQ](#) [S6109](#) [SC2036ACP](#) [SC616N-2](#) [SC628FW](#) [SC628MPG](#) [SC648D](#) [SCS045MD9DT3S](#) [AB2025B-LW50-R](#) [ESZ-25B-5-250B](#) [F/BC 35-DR LF](#) [FCM12PLF](#) [F/EB20P-DR LF](#) [F/HU110MP24V-IP67B LF](#) [AI-2835-TF-LW150-2-R](#) [AI-4228-TF-LW305-R](#) [FSMD8585JSLF](#) [FSS-26T](#) [F/SU 21-02 LF](#) [F/TCW 05 WITH LABEL LF](#) [F/UCW 03 WITH LABEL LF](#) [F/UCW 06 WITH LABEL LF](#) [PKM22EPPH40S1-B0](#) [PKM35-4A0](#) [PL-35N29WQ](#) [PLD-27A35PQ](#) [PS-552Q](#) [CM-5](#) [M2BJ-BH24E-D](#) [REF-202](#) [LSC628ANR](#) [5-100](#) [PAL-328](#) [03-810.001](#) [RTO-1R07-001](#) [PL-21N31PQ](#) [PF-27A25PSQ](#)