

# SH1/ SH2 series

Heavy-Duty Signal Lights/ Warning Lights for Vessels and Heavy Industry Applications

Superior durability with fully enclosed structure and corrosion resistance, suitable for vessels and heavy industry applications

- SH1 series-Ø125mm
- SH2 series-Ø150mm



## Common Specifications

- Aluminum housing and polycarbonate lens material provides excellent impact resistance under seismic conditions
- Excellent hermetic structure that blocks water and dust
- Can select a variety of light sources (Bulb, LED, and xenon) for your application needs and environmental conditions
- Terminals located inside the terminal box or product
- Cable entry : 1/2"PF
- Materials : Lens-PC, Housing-Al, Protection cage-SUS316L, Reflector for LED type-PC/ Reflector for bulb type-Heat resistant ABS
- Housing standard color : MUNSELL No. 7.5BG 7/2
- Protection rating : IP66

### ■ A Variety of Selectable Light Source and Function Combinations

You can select from a variety of light sources for your work environment, condition, and purpose. Basic specifications are as follows :

- LED revolving type
- LED steady/flashing type
- xenon lamp strobe type
- Bulb revolving type

User-selected LED strobe type and LED simulated revolving type are available upon request.

### 1 Lenses

- Utilizes a strong and durable polycarbonate material with excellent shock and vibration resistance
- The lens surface has two types depending on the light source function-Light diffusion type and light transmission type

Light transmission type		LED revolving type Bulb revolving type	SH( )LR SH( )
Light diffusion type		LED steady/flashing type xenon lamp strobe type	SH( )L/LF SH( )S

### 2 Protection cage

- The durable protection cage is made of corrosion resistant stainless steel that prevents damage to the lens from external contact
- Materials : SUS316L



### 3 Housing

- The special aluminum body housing features superior durability
- The housing is corrosion resistant from a special anodized surface treatment process
- Materials : Al

### 4 Fully enclosed structure

- The tightly sealed warning light structure is waterproof and dustproof
- Protection rating : IP66

### 5 Terminal box

- Terminal box is located on the side of housing for easy wiring
- Materials : Al

### 6 Brackets

- Stainless steel mounting bracket is conveniently attached to the outer surface of the product
- Materials : SUS

## SH1/SH2 series Product Categories



### Standard model

- Protection cage or terminal box not attached
- Terminals located inside the housing
- Use in environments that has low probability of damage to the lens due to external forces
- SH1/SH2 series is available in this model



### Terminal box mounted type

- Equipped with a terminal box for easy wiring
- Terminal box enables easy wiring
- Use in environments that has low probability of damage to the lens due to external forces
- SH1T( )/ SH2T( ) is available in this model



### Protection cage mounted type

- Equipped with a Protection cage
- Terminals located inside the housing
- Damage to the lens from external forces can be prevented with protection cage
- SH1( )P/SH2( )P is available in this model



### Terminal box and protection cage mounted type

- Equipped with a protection cage and a terminal box
- Terminal box enables easy wiring
- Damage to the lens from external forces can be prevented with protection cage
- SH1T( )P/ SH2T( )P is available in this model



Warning/  
Signal/  
Stackable



Signal &  
Electric Horn/  
Speakers



Vessels and  
Heavy-Duty  
Equipment



Explosion  
Proof



Warning  
Light Bar



Aviation  
Obstruction  
Lights



Signal Tower  
Lights



USB/ETN  
Signal Tower  
Lights



Wireless  
Network  
System



Electric Horn/  
Speakers



Industrial  
LED Lights

# SH1LR/ SH2LR series

Heavy-Duty LED Revolving Warning Lights for Vessels and Heavy Industry Applications



- SH1LR-Ø125mm
- SH2LR-Ø150mm



SH1LR



SH2LRP



## Common Specifications(SH1L/ SH2L)

- Features high visibility in all directions with special concentrated LED light structure and multi side reflector
- Revolving speed : 120-140RPM
- Materials : Lens-PC, Housing-AI, Protection cage-SUS316L, Reflector for LED : PC
- Ambient operation temperature : -20°C to +50°C
- Cable entry : 1/2"PF
- Housing standard color : MUNSSELL No.7.5BG 7/2
- Protection rating : IP66



## SH1LR LED Revolving Warning Light

- Certificates : KIMM, ABS, CCS

Model number	Voltage	Current	Certificates	Color
<ul style="list-style-type: none"> <li>• SH1LR Standard type</li> <li>• SH1LRP Protection cage type</li> <li>• SH1TLR Terminal box type</li> <li>• SH1TLRP Protection cage and terminal box type</li> </ul>	DC12V	0.422A		<ul style="list-style-type: none"> <li>• R-Red</li> <li>• A-Amber</li> <li>• G-Green</li> <li>• B-Blue</li> </ul>
	DC24V	0.266A		
	AC110V	0.082A		
	AC220V	0.041A		



## SH2LR LED Revolving Warning Light

- Certificates : KIMM, ABS

Model number	Voltage	Current	Certificates	Color
<ul style="list-style-type: none"> <li>• SH2LR Standard type</li> <li>• SH2LRP Protection cage type</li> <li>• SH2TLR Terminal box type</li> <li>• SH2TLRP Protection cage and terminal box type</li> </ul>	DC12V	0.422A		<ul style="list-style-type: none"> <li>• R-Red</li> <li>• A-Amber</li> <li>• G-Green</li> <li>• B-Blue</li> </ul>
	DC24V	0.266A		
	AC110V	0.082A		
	AC220V	0.041A		

## SH1LR/SH2LR LED Reflector Warning Lights Specification Category and Products Weight Chart

Type	SH1 series		SH2 series	
Lens diameter	Ø125mm		Ø150mm	
Standard		SH1LR (1.64kg)		SH2LR (1.69kg)
Built-in protection cage		SH1LRP (1.89kg)		SH2LRP (1.98kg)
Built-in terminal box		SH1TLR (2.10kg)		SH2TLR (2.15kg)
Built-in protection cage & Terminal box		SH1TLRP (2.35kg)		SH2TLRP (2.44kg)

※ Product weight is based on AC type.



## Ordering Specification

<b>SH1LR</b>	-	<b>12</b>	-	<b>R</b>
[Model number]		[Voltage]		[Color]
<ul style="list-style-type: none"> <li>• SH1LR</li> <li>• SH1LRP</li> <li>• SH1TLR</li> <li>• SH1TLRP</li> <li>• SH2LR</li> <li>• SH2LRP</li> <li>• SH2TLR</li> <li>• SH2TLRP</li> </ul>		<ul style="list-style-type: none"> <li>• 12-DC12V</li> <li>• 24-DC24V</li> <li>• 110-AC110V</li> <li>• 220-AC220V</li> </ul>		<ul style="list-style-type: none"> <li>• R-Red</li> <li>• A-Amber</li> <li>• G-Green</li> <li>• B-Blue</li> </ul>

SH1LR/SH2LR models are equipped with flexible connector, and SH1TLR/SH2TLR models are equipped with 15C nipple at cable entry.



Flexible connector

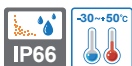


15C nipple

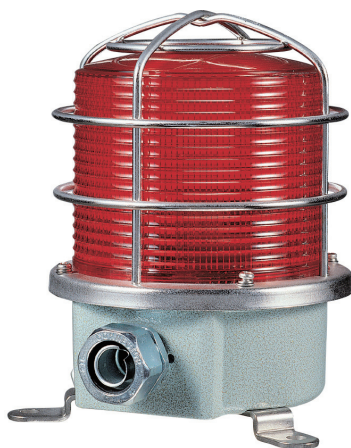


# SH1L/ SH2L series

Heavy-Duty Steady/ Flash Signal Lights  
for Vessels and Heavy Industry Applications



- SH1L-Ø125mm
- SH2L-Ø150mm



SH1LP

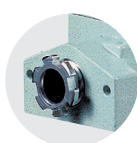


SH2TLP

SH1L/SH2L models are equipped with flexible connector, and SH1TL/SH2TL models are equipped with 15C nipple at cable entry.



Flexible connector



15C nipple



## Common Specifications(SH1L/ SH2L)

- Uniform and clear light diffusion with multi layered LED light distribution reflector
- Built-in switch for selection between steady and flashing mode
- Flashing rate : 60-80 flashes/min
- Standard housing color : MUNSELL No. 7.5BG 7/2
- Materials : Lens-PC, Housing-Al, Protection cage-SUS316L, Reflector- Heat resistant ABS
- Ambient operation temperature : -30°C to +50°C
- Cable entry : 1/2"PF
- Protection rating : IP66



## SH1L LED Steady/Flashing Signal Light

- Certificates : KIMM, ABS, CCS

Model number	Voltage	Current	Certificates	Color
<ul style="list-style-type: none"> <li>• SH1L Standard type</li> <li>• SH1LP Protection cage type</li> <li>• SH1TL Terminal box type</li> <li>• SH1TLP Protection cage and terminal box type</li> </ul>	DC12V	0.300A		<ul style="list-style-type: none"> <li>• R-Red</li> <li>• A-Amber</li> <li>• G-Green</li> <li>• B-Blue</li> </ul>
	DC24V	0.200A		
	AC110V	0.060A		
	AC220V	0.030A		



## SH2L LED Steady/Flashing Signal Light

- Certificates : KIMM, ABS

Model number	Voltage	Current	Certificates	Color
<ul style="list-style-type: none"> <li>• SH2L Standard type</li> <li>• SH2LP Protection cage type</li> <li>• SH2TL Terminal box type</li> <li>• SH2TLP Protection cage and terminal box type</li> </ul>	DC12V	0.300A		<ul style="list-style-type: none"> <li>• R-Red</li> <li>• A-Amber</li> <li>• G-Green</li> <li>• B-Blue</li> </ul>
	DC24V	0.200A		
	AC110V	0.060A		
	AC220V	0.030A		

## SH1L/SH2L LED Steady/Flashing Signal Lights Specification Category and Products Weight Chart

Type	SH1 series		SH2 series	
Lens diameter	Ø125mm		Ø150mm	
Standard		SH1L (1.49kg)		SH2L (1.57kg)
Built-in protection cage		SH1LP (1.74kg)		SH2LP (1.86kg)
Built-in terminal box		SH1TL (1.95kg)		SH2TL (2.03kg)
Built-in protection cage & Terminal box		SH1TLP (2.20kg)		SH2TLP (2.32kg)

※ Product weight is based on AC type.



## Ordering Specification

SH2L	-	220	-	R
[Model number]		[Voltage]		[Color]
<ul style="list-style-type: none"> <li>• SH1L</li> <li>• SH1LP</li> <li>• SH1TL</li> <li>• SH1TLP</li> <li>• SH2L</li> <li>• SH2LP</li> <li>• SH2TL</li> <li>• SH2TLP</li> </ul>		<ul style="list-style-type: none"> <li>• 12-DC12V</li> <li>• 24-DC24V</li> <li>• 110-AC110V</li> <li>• 220-AC220V</li> </ul>		<ul style="list-style-type: none"> <li>• R-Red</li> <li>• A-Amber</li> <li>• G-Green</li> <li>• B-Blue</li> </ul>



Warning/  
Signal/  
Stackable



Signal &  
Electric Horn/  
Speakers



Vessels and  
Heavy-Duty  
Equipment



Explosion  
Proof



Warning  
Light Bar



Aviation  
Obstruction  
Lights



Signal Tower  
Lights



USB/ETN  
Signal Tower  
Lights



Wireless  
Network  
System



Electric Horn/  
Speakers



Industrial  
LED Lights

# SH1S/SH2S series

Heavy-Duty Xenon Lamp Strobe Signal Lights for Vessels and Heavy Industry Applications



- SH1S-Ø125mm
- SH2S-Ø150mm



SH1S



## Common Specifications(SH1S/ SH2S)

- Convenient lamp change with connector type connection structure
- Flashing rate : 60-80 flashes/min
- Standard housing color : MUNSELL No. 7.5BG 7/2
- Materials : Lens-PC, Housing-Al, Protection cage-SUS316L
- Ambient operation temperature : -30°C to +50°C
- Cable entry : 1/2"PF
- Protection rating : IP66



## SH1S Xenon Lamp Strobe Signal Light

- Certificates : KIMM, ABS, CCS

Model number	Voltage	Current	Bulb			Certificates	Color
			Spec	Standard	Parts no		
• SH1S Standard type	DC12V	1.001A	200V -550V	EUB0641 -1A(G) U type	48		<ul style="list-style-type: none"> <li>• R-Red</li> <li>• A-Amber</li> <li>• G-Green</li> <li>• B-Blue</li> </ul>
• SH1SP Protection cage type	DC24V	0.616A					
• SH1TS Terminal box type	AC110V	0.133A					
• SH1TSP Protection cage and terminal box type	AC220V	0.106A					



## SH2S Xenon Lamp Strobe Signal Light

- Certificates : KIMM, ABS

Model number	Voltage	Current	Bulb			Certificates	Color
			Spec	Standard	Parts no		
• SH2S Standard type	DC12V	1.001A	200V -550V	EUB0641 -1A(G) U type	48		<ul style="list-style-type: none"> <li>• R-Red</li> <li>• A-Amber</li> <li>• G-Green</li> <li>• B-Blue</li> </ul>
• SH2SP Protection cage type	DC24V	0.616A					
• SH2TS Terminal box type	AC110V	0.133A					
• SH2TSP Protection cage and terminal box type	AC220V	0.106A					



SH2TS

## SH1S/SH2S Xenon Strobe Signal Lights Specification Category and Products Weight Chart

Type	SH1S series		SH2S series	
Lens diameter	Ø125mm		Ø150mm	
Standard		SH1S (1.11 kg)		SH2S (1.19 kg)
Built-in protection cage		SH1SP (1.36 kg)		SH2SP (1.48 kg)
Built-in terminal box		SH1TS (1.57 kg)		SH2TS (1.65 kg)
Built-in protection cage & Terminal box		SH1TSP (1.82 kg)		SH2TSP (1.94 kg)

※ Product weight is based on AC type.

SH1S/SH2S models are equipped with flexible connector, and SH1TS/SH2TS models are equipped with 15C nipple at cable entry.



Flexible connector



15C nipple



## Ordering Specification

SH1S	-	12	-	R
[Model number]		[Voltage]		[Color]
<ul style="list-style-type: none"> <li>• SH1S</li> <li>• SH1SP</li> <li>• SH1TS</li> <li>• SH1TSP</li> <li>• SH2S</li> <li>• SH2SP</li> <li>• SH2TS</li> <li>• SH2TSP</li> </ul>		<ul style="list-style-type: none"> <li>• 12-DC12V</li> <li>• 24-DC24V</li> <li>• 110-AC110V</li> <li>• 220-AC220V</li> </ul>		<ul style="list-style-type: none"> <li>• R-Red</li> <li>• A-Amber</li> <li>• G-Green</li> <li>• B-Blue</li> </ul>

# SH1/SH2 series

Heavy-Duty Bulb Revolving Signal Light for Vessels and Heavy Industry Applications



- SH1-Ø125mm
- SH2-Ø150mm



SH1



SH2T

SH1/SH2 models are equipped with flexible connector, and SH1T/SH2T models are equipped with 15C nipple at cable entry.



Flexible connector



15C nipple

## Common Specifications(SH1/ SH2)

- Excellent light diffusion effect with multi faced reflector
- Adopts a special power transmission system that reduces noise and wear
- Revolving speed : 120-140RPM
- Standard housing color : MUNSSELL No. 7.5BG 7/2
- Materials : Lens-PC, Housing-AI, Protection cage-SUS316L, Reflector-PC
- Ambient operation temperature : -20°C to +50°C
- Cable entry : 1/2"PF
- Protection rating : IP66

## SH1 Bulb Revolving Warning Light

- Certificates : KIMM, ABS, CCS, CE

Model number	Voltage	Current	Bulb			Certificates	Color
			Spec	Standard	Parts no		
• SH1 Standard type	DC12V	1.544A	12V15W	G23 15S	17	 DC24V Only	• R-Red • A-Amber • G-Green • B-Blue
• SH1P Protection cage type	DC24V	0.766A	24V15W	G23 15S	18		
• SH1T Terminal box type	AC110V	0.204A	12V15W	G23 15S	17		
• SH1TP Protection cage and terminal box type	AC220V	0.102A	12V15W	G23 15S	17		

## SH2 Bulb Revolving Warning Light

- Certificates : KIMM, ABS, CE

Model number	Voltage	Current	Bulb			Certificates	Color
			Spec	Standard	Parts no		
• SH2 Standard type	DC12V	1.544A	12V15W	G23 15S	17	 DC24V Only	• R-Red • A-Amber • G-Green • B-Blue
• SH2P Protection cage type	DC24V	0.766A	24V15W	G23 15S	18		
• SH2T Terminal box type	AC110V	0.204A	12V15W	G23 15S	17		
• SH2TP Protection cage and terminal box type	AC220V	0.102A	12V15W	G23 15S	17		

## SH1/SH2 Bulb Revolving Warning Lights Specification Category and Products Weight Chart

Type	SH1 series		SH2 series	
	Ø125mm		Ø150mm	
Standard		SH1 (1.61kg)		SH2 (1.77kg)
Built-in protection cage		SH1P (1.86kg)		SH2P (2.06kg)
Built-in terminal box		SH1T (2.07kg)		SH2T (2.23kg)
Built-in protection cage & Terminal box		SH1TP (2.32kg)		SH2TP (2.52kg)

\* Product weight is based on AC type.

## Ordering Specification

SH1T	-	220	-	R
[Model number]		[Voltage]		[Color]
 • SH1 • SH1P • SH1T • SH1TP • SH2 • SH2P • SH2T • SH2TP		 • 12-DC12V • 24-DC24V • 110-AC110V • 220-AC220V		 • R-Red • A-Amber • G-Green • B-Blue



Warning/  
Signal/  
Stackable



Signal &  
Electric Horn/  
Speakers



Vessels and  
Heavy-Duty  
Equipment



Explosion  
Proof



Warning  
Light Bar



Aviation  
Obstruction  
Lights



Signal Tower  
Lights



USB/ETN  
Signal Tower  
Lights



Wireless  
Network  
System



Electric Horn/  
Speakers



Industrial  
LED Lights



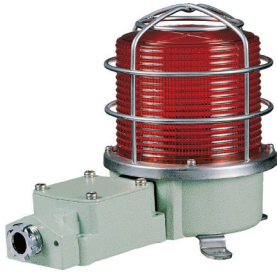
# SH1/ SH2 series

Heavy-Duty Signal Lights/ Warning Lights  
for Vessels and Heavy Industry Applications

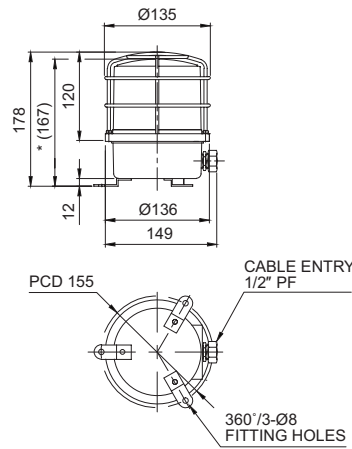


## Technical Diagram

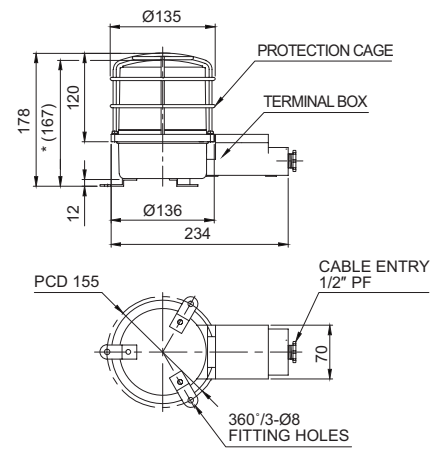
(Units : mm)



SH1LRP/ SH1LP/ SH1SP/ SH1P



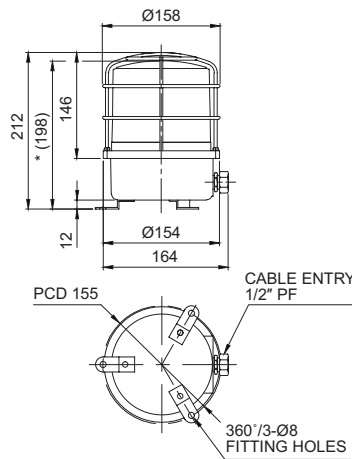
SH1TLRP/ SH1TLP/ SH1TSP/ SH1TP



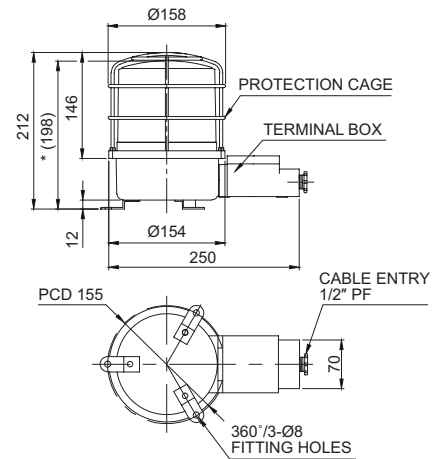
※ \*(167) represents SH1LR/ SH1L/ SH1S/ SH1, SH1TLR/ SH1TL/ SH1TS/ SH1T size without protection cage.



SH2LRP/ SH2LP/ SH2SP/ SH2P



SH2TLRP/ SH2TLP/ SH2TSP/ SH2TP

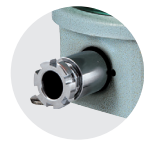


※ \*(198) represents SH2LR/ SH2L/ SH2S/ SH2, SH2TLR/ SH2TL/ SH2TS/ SH2T size without protection cage.



## Customization

- 3/4"PF cable entry  
Standard cable entry is 1/2"PF  
3/4"PF is customization
- Built-in cable gland type  
Flexible connector is equipped to the standard cable entry
- Brass housing product  
SH2 series brass housing provides products with excellent corrosion resistance as customization  
※ Color will be MUNSELL No. 7.5BG 7/2 when Released.
- 2T type has 2 cable entries in the terminal box  
2 cable entries terminal box is a customized add-on,  
please refer to the technical diagram on page 165



Built-in cable gland type



Brass housing product



2 cable entries terminal box model

# SH1/ SH2 series

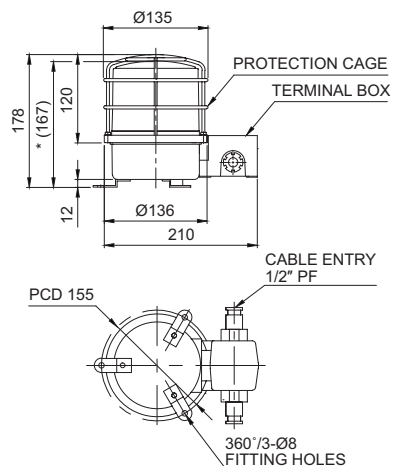
Heavy-Duty Signal Lights/ Warning Lights  
for Vessels and Heavy Industry Applications



## Technical Diagram for 2T Type Cable Entries

(Units : mm)

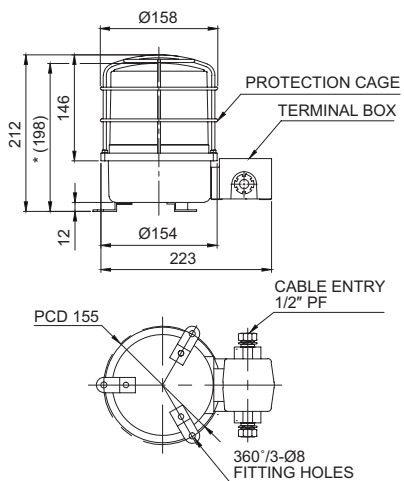
SH1LR-2TP/ SH1L-2TP/ SH1S-2TP/ SH1-2TP



※ \*(167) represents SH1LR-2T/ SH1L-2T/ SH1S-2T/ SH1-2T size without protection cage.



SH2LR-2TP/ SH2L-2TP/ SH2S-2TP/ SH2-2TP



※ \*(198) represents SH2LR-2T/ SH2L-2T/ SH2S-2T/ SH2-2T size without protection cage.



Warning/  
Signal/  
Stackable



Signal &  
Electric Horn/  
Speakers



Vessels and  
Heavy-Duty  
Equipment



Explosion  
Proof



Warning  
Light Bar



Aviation  
Obstruction  
Lights



Signal Tower  
Lights



USB/ETN  
Signal Tower  
Lights



Wireless  
Network  
System



Electric Horn/  
Speakers



Industrial  
LED Lights

## X-ON Electronics

Largest Supplier of Electrical and Electronic Components

*Click to view similar products for [Audio Indicators & Alerts](#) category:*

*Click to view products by [QLIGHT](#) manufacturer:*

Other Similar products are found below :

[M2BJ-BH24E](#) [6-4](#) [68S1240-PA](#) [MBA-624](#) [F/BC 40P-DR LF](#) [FDG111PLF](#) [F/NRMB 24 BLACK LF](#) [PF-35N29WQ](#) [PFD-27A35PQ](#) [PL-27A35PSQ](#) [PS-531Q](#) [AB2020B-2-LW1](#) [EBPT-401](#) [PB06SD12AP](#) [PB-1220PEQ](#) [S6109](#) [SC2036ACP](#) [SC616N-2](#) [SC628FW](#) [SC628MPG](#) [SC648D](#) [SCS045MD9DT3S](#) [AB2025B-LW50-R](#) [ESZ-25B-5-250B](#) [F/BC 35-DR LF](#) [FCM12PLF](#) [F/EB20P-DR LF](#) [F/HU110MP24V-IP67B](#) [LF](#) [AI-2835-TF-LW150-2-R](#) [AI-4228-TF-LW305-R](#) [FSMD8585JSLF](#) [FSS-26T](#) [F/SU 21-02 LF](#) [F/TCW 05 WITH LABEL LF](#) [F/UCW 03 WITH LABEL LF](#) [F/UCW 06 WITH LABEL LF](#) [PKM22EPPH40S1-B0](#) [PKM35-4A0](#) [PL-35N29WQ](#) [PLD-27A35PQ](#) [PS-552Q](#) [CM-5](#) [M2BJ-BH24E-D](#) [REF-202](#) [LSC628ANR](#) [5-100](#) [PAL-328](#) [03-810.001](#) [RTO-1R07-001](#) [PL-21N31PQ](#) [PF-27A25PSQ](#)