

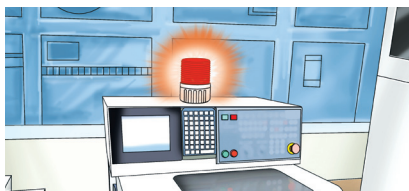
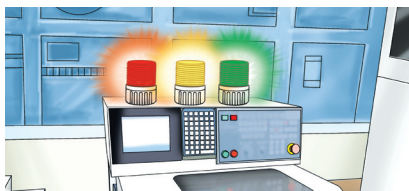
SMCL series

Multiple Color LED Steady/ Flashing Signal Lights



Signal lights that produces two or three multicolored LED signals

This budget model uses a multiple color LED light source to provide signals in two or three colors.



SMCL80



SMCL100



Common Specifications(SMCL80/ SMCL100/ SMCL125)

- Ideal for locations where space requirements need one warning light to convey multiple color signals
- LED light distribution system with multi-tiered reflector provides uniformed light signals throughout the entire lens
- The subdued light provides a comfortable and stable viewing condition for operation in close proximity
- Built-in buzzer available(Volume : Max 90dB at 1m)
- Can select between steady/ flashing mode
- Flashing rate : 60-80 flashes/min
- Materials : Lens-AS, Body-ABS, Reflector-Heat resistant ABS
- Ambient operating temperature : -30°C to +50°C
- Protection rating : IP44
- Certificates : CECompliant
- Complaint with RoHS directive

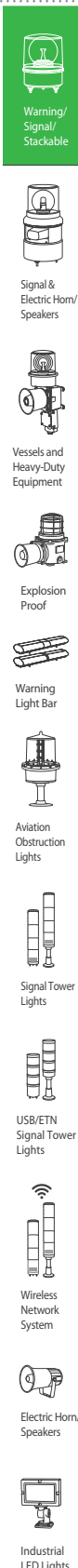
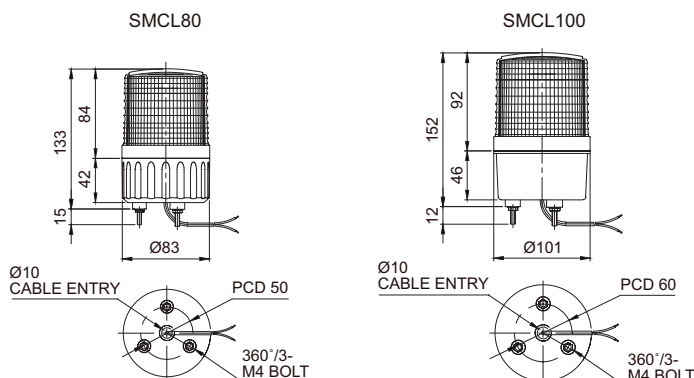
SMCL80 Ø80mm Multi-Color LED Steady/ Flashing Signal Light

Model number	Voltage	Current	Certificates	Weight	Color
SMCL80	DC12V	0.234A	CE DC24V only	0.18kg	<ul style="list-style-type: none"> ● R-Red ● A-Amber ● G-Green
	DC24V	0.132A		0.18kg	
	AC110V	0.066A		0.28kg	
	AC220V	0.033A		0.28kg	

SMCL100 Ø100mm Multi-Color LED Steady/ Flashing Signal Light

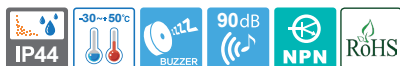
Model number	Voltage	Current	Certificates	Weight	Color
SMCL100	DC12V	0.387A	CE DC24V only	0.23kg	<ul style="list-style-type: none"> ● R-Red ● A-Amber ● G-Green
	DC24V	0.212A		0.23kg	
	AC110V	0.093A		0.32kg	
	AC220V	0.046A		0.32kg	

Technical Diagram (Units : mm)



SMCL series

Multiple Color LED Steady/ Flashing Signal Lights



SMCL125

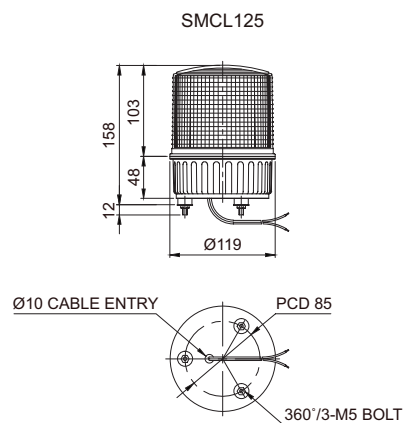
SMCL125 Ø125mm Multi-Color LED Steady/ Flashing LED Signal Light

Model number	Voltage	Current	Certificates	Weight	Color
SMCL125	DC12V	0.410A	DC24V only	0.27kg	<ul style="list-style-type: none"> • R-Red • A-Amber • G-Green
	DC24V	0.227A		0.27kg	
	AC110V	0.104A		0.36kg	
	AC220V	0.052A		0.36kg	



Technical Diagram

(Units : mm)

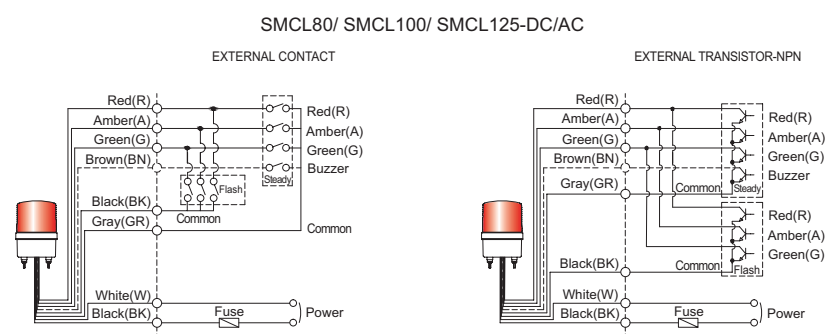


Wiring Instructions

- SMCL type can be wired with external contacts and transistor
- Wiring to transistor, use the NPN transistor. Please wire properly based on wiring instructions
- External power line standard : UL1015 AWG18(0.75sq)×2C 400mm
- External signal line standard : UL1007 AWG22(0.3sq) 400mm
- Product can be wired regardless of polarity



Wiring Instructions



Accessories

- Wall mounting bracket options : Bracket structure allows for threading through the bracket hole or into the wall mount

- SMCL80



Wall Mount Bracket
TWS80



Wall Mount Bracket
TWA80

- SMCL100/ SMCL125



Wall Mount Bracket
SWP125



Wall Mount Bracket
SWM125



Ordering Specification

SMCL100	-	BZ	-	3	-	220	-	RAG
[Model number]		[Buzzer option]		[Color]		[Voltage]		[Color]
<ul style="list-style-type: none"> • SMCL80 • SMCL100 • SMCL125 		<ul style="list-style-type: none"> • None • No buzzer • BZ • Built-in buzzer 		<ul style="list-style-type: none"> 2-2colors 3-3colors 		<ul style="list-style-type: none"> • 12-DC12V • 24-DC24V • 110-AC110V • 220-AC220V 		<ul style="list-style-type: none"> • R-Red • A-Amber • G-Green

X-ON Electronics

Largest Supplier of Electrical and Electronic Components

Click to view similar products for [Audio Indicators & Alerts](#) category:

Click to view products by [QLIGHT](#) manufacturer:

Other Similar products are found below :

[M2BJ-BH24E](#) [6-4](#) [68S1240-PA](#) [MBA-624](#) [F/BC 40P-DR LF](#) [FDG111PLF](#) [F/NRMB 24 BLACK LF](#) [PF-35N29WQ](#) [PFD-27A35PQ](#) [PL-27A35PSQ](#) [PS-531Q](#) [AB2020B-2-LW1](#) [EBPT-401](#) [PB06SD12AP](#) [PB-1220PEQ](#) [S6109](#) [SC2036ACP](#) [SC616N-2](#) [SC628FW](#) [SC628MPG](#) [SC648D](#) [SCS045MD9DT3S](#) [AB2025B-LW50-R](#) [ESZ-25B-5-250B](#) [F/BC 35-DR LF](#) [FCM12PLF](#) [F/EB20P-DR LF](#) [F/HU110MP24V-IP67B LF](#) [AI-2835-TF-LW150-2-R](#) [AI-4228-TF-LW305-R](#) [FSMD8585JSLF](#) [FSS-26T](#) [F/SU 21-02 LF](#) [F/TCW 05 WITH LABEL LF](#) [F/UCW 03 WITH LABEL LF](#) [F/UCW 06 WITH LABEL LF](#) [PKM22EPPH40S1-B0](#) [PKM35-4A0](#) [PL-35N29WQ](#) [PLD-27A35PQ](#) [PS-552Q](#) [CM-5](#) [M2BJ-BH24E-D](#) [REF-202](#) [LSC628ANR](#) [5-100](#) [PAL-328](#) [03-810.001](#) [RTO-1R07-001](#) [PL-21N31PQ](#) [PF-27A25PSQ](#)