

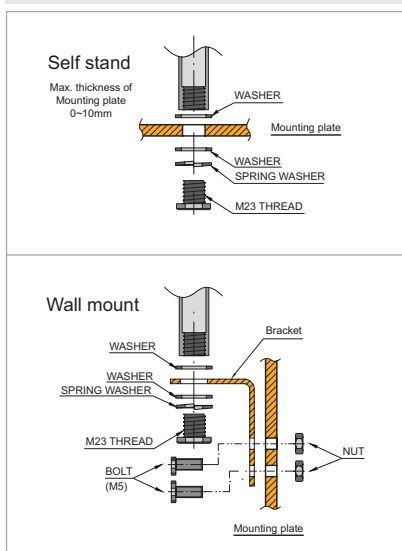
STA25SLM

Ø25mm Slim LED Tower Lights

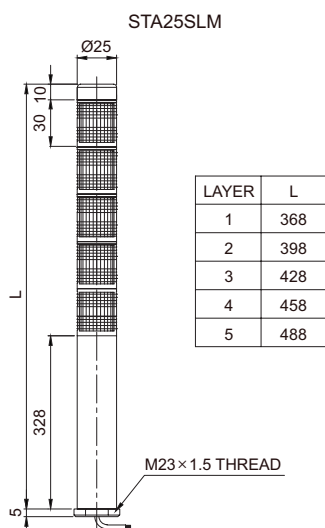


STA25SLM

Mounting Instructions



Technical Diagram (Units : mm)



STA25SLM Ø25mm Direct Mount, LED Steady

- Ø25mm direct mount tower lights
- Aesthetically pleasing design with aluminum housing
- Excellent visibility by using a high brightness LED with a special diffusion lens
- Lens maintains a semi-transparent color when not emitting the specific color of the signal under operation.
- Steady mode only with fixed user selected color arrangement (can operate flashing mode with external contact)
- Materials : Lens-AS, Housing-Al
- Ambient operating temperature : -30°C to +50°C
- Protection rating : IP44

Specifications

Model number	Layer	Voltage	Current	Certificates	Weight	Color
STA25SLM Steady	1	AC/DC12V AC/DC24V AC110V AC220V	0.080A 0.040A 0.020A 0.020A	-	0.19kg	• R-Red
	2	AC/DC12V AC/DC24V AC110V AC220V	0.160A 0.080A 0.040A 0.040A		0.21kg	• R-Red • G-Green
	3	AC/DC12V AC/DC24V AC110V AC220V	0.240A 0.120A 0.060A 0.060A		0.23kg	• R-Red • A-Amber • G-Green
	4	AC/DC12V AC/DC24V AC110V AC220V	0.320A 0.160A 0.080A 0.080A		0.24kg	• R-Red • A-Amber • G-Green • B-Blue
	5	AC/DC12V AC/DC24V AC110V AC220V	0.400A 0.200A 0.100A 0.100A		0.26kg	• R-Red • A-Amber • G-Green • B-Blue • W-White

Wiring Instructions

- External power line and signal line standard : UL1007 AWG22(0.3sq) 400mm
- ※ Please refer to page 248 for detailed wiring instructions.

Customization

- LED color lenses matching the signal available
- Wall mount bracket options : Used for mounting on the vertical surface



Ordering Specification

STA25SLM	-	3	-	220	-	RAG
[Model number]		[Layer]		[Voltage]		[Color]
• STA25SLM		• 1-1Layer • 2-2Layers • 3-3Layers • 4-4Layers • 5-5Layers		• 12-DC12V • 24-DC24V • 110-AC110V • 220-AC220V		• R-Red • A-Amber • G-Green • B-Blue • W-White



Warning/
Signal/
Stackable



Signal &
Electric Horn/
Speakers



Vessels and
Heavy-Duty
Equipment



Explosion
Proof



Warning
Light Bar



Aviation
Obstruction
Lights



Signal Tower
Lights



USB/ETN
Signal Tower
Lights



Electric Horn/
Speakers



Industrial
LED Lights

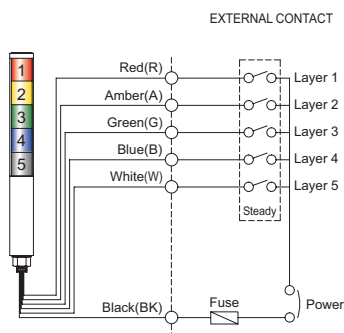


Wiring Instructions

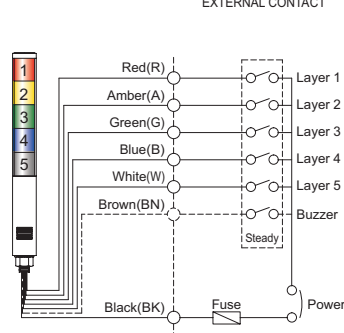
- STA25SLM, STA35SL, STA35SLM and STA45SLM can be wired by using both external contact and transistor.
- In case of wiring by transistor, please make sure if it is NPN type or PNP type. Please carefully follow wiring instructions below.

External Contact

STA25SLM-DC/AC
STA35SL/ STA35SLM-DC/AC



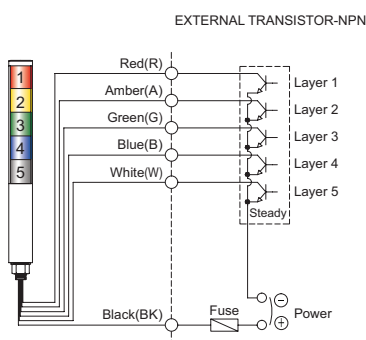
STA45SLM/ STA45SLMP-DC/AC



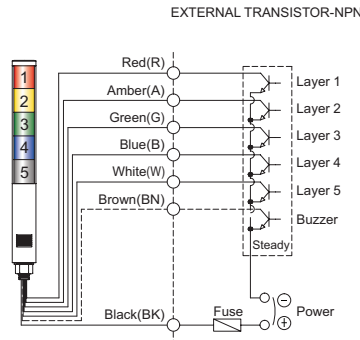
Transistor

NPN-Transistor

STA25SLM-DC
STA35SL/ STA35SLM-DC

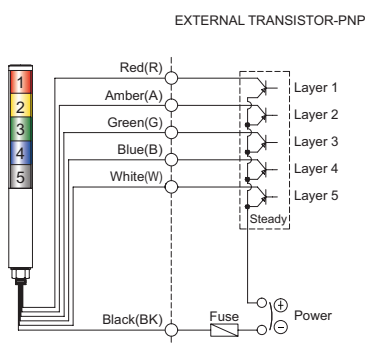


STA45SLM/ STA45SLMP-DC

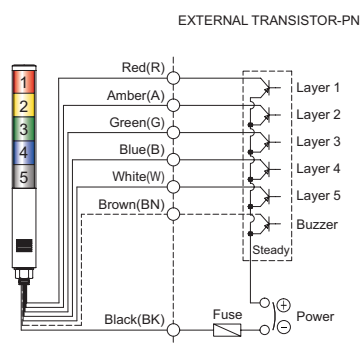


PNP-Transistor

STA25SLM-DC
STA35SL/ STA35SLM-DC



STA45SLM/ STA45SLMP-DC



Wiring Instructions

- External power line and signal line standard :
UL1007 AWG22(0.3sq) 400mm

Transistor Rating

Type	NPN or PNP
Withstanding voltage	$V_c \geq 35V$
Current	$I_c \geq 300mA$
Leakage current	$0.1mA \geq I_L$

X-ON Electronics

Largest Supplier of Electrical and Electronic Components

Click to view similar products for [Audio Indicators & Alerts](#) category:

Click to view products by [QLIGHT](#) manufacturer:

Other Similar products are found below :

[M2BJ-BH24E](#) [6-4](#) [68S1240-PA](#) [MBA-624](#) [F/BC 40P-DR LF](#) [FDG111PLF](#) [F/NRMB 24 BLACK LF](#) [PF-35N29WQ](#) [PFD-27A35PQ](#) [PL-27A35PSQ](#) [PS-531Q](#) [AB2020B-2-LW1](#) [EBPT-401](#) [PB06SD12AP](#) [PB-1220PEQ](#) [S6109](#) [SC2036ACP](#) [SC616N-2](#) [SC628FW](#) [SC628MPG](#) [SC648D](#) [SCS045MD9DT3S](#) [AB2025B-LW50-R](#) [ESZ-25B-5-250B](#) [F/BC 35-DR LF](#) [FCM12PLF](#) [F/EB20P-DR LF](#) [F/HU110MP24V-IP67B](#) [LF](#) [AI-2835-TF-LW150-2-R](#) [AI-4228-TF-LW305-R](#) [FSMD8585JSLF](#) [FSS-26T](#) [F/SU 21-02 LF](#) [F/TCW 05 WITH LABEL LF](#) [F/UCW 03 WITH LABEL LF](#) [F/UCW 06 WITH LABEL LF](#) [PKM22EPPH40S1-B0](#) [PKM35-4A0](#) [PL-35N29WQ](#) [PLD-27A35PQ](#) [PS-552Q](#) [CM-5](#) [M2BJ-BH24E-D](#) [REF-202](#) [LSC628ANR](#) [5-100](#) [PAL-328](#) [03-810.001](#) [RTO-1R07-001](#) [PL-21N31PQ](#) [PF-27A25PSQ](#)