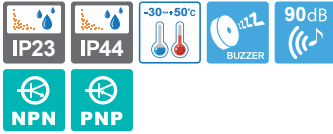


# STA45SLM

## Ø45mm Slim LED Tower Light



STA45SLM series



### Customization

- Wall mount bracket options : Used for mounting on the vertical surface



Wall Mount Bracket  
STAWB45



### Common Specifications(STA45SLM/ STA45SLMP)

- Ø45mm direct mount/pole mount tower lights
- Aluminum housing displays a unique metallic luster that defines a high class product
- Excellent visibility by using a high brightness LED with a special diffusion lens
- Lens maintains a semi-transparent color when not emitting the specific color of the signal under operation
- Steady mode only(can operate flashing mode with external control) with fixed user selected color arrangement
- Easy mounting with the bolts/screws located at the bottom of the product
- Built-in buzzer available (Volume : Max 90dB at 1m)
- Materials : Lens-Acrylic, Filter lens -AS, Housing-AI
- Ambient operating temperature : -30°C to +50°C
- Protection rating : Standard type-IP44, Built-in buzzer type-IP23
- Certificates : CE Compliant, UL Listed



### STA45SLM Ø45mm Direct Mount, LED Steady

Model number	Layer	Voltage	Current	Certificates	Weight	Color
STA45SLM Steady STA45SLM-BZ Steady /w built-in buzzer	1	DC12V DC24V	0.160A 0.080A	 DC24V only   DC24V only	3.60kg	• R-Red
	2	DC12V DC24V	0.320A 0.160A		4.03kg	• R-Red • G-Green
	3	DC12V DC24V	0.480A 0.240A		4.45kg	• R-Red • A-Amber • G-Green
	4	DC12V DC24V	0.640A 0.320A		4.95kg	• R-Red • A-Amber • G-Green • B-Blue
	5	DC12V DC24V	0.800A 0.400A		5.46kg	• R-Red • A-Amber • G-Green • B-Blue • W-White

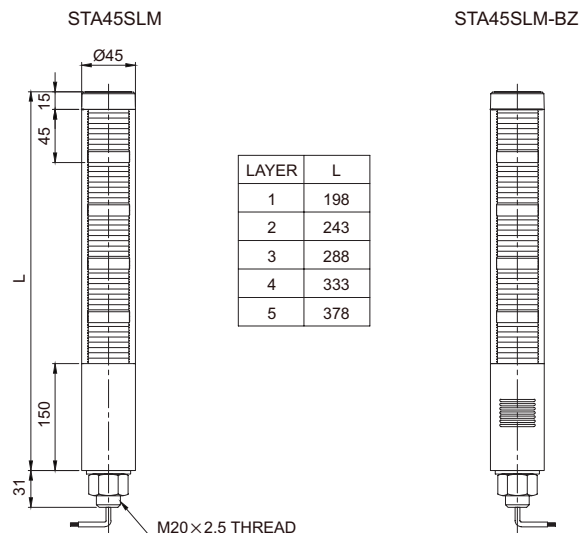
### Signal/ Audible Line Current(per each layer)

Voltage settings	DC12V	DC24V
Signal line current	0.160A	0.080A
Audible line current	0.016A	0.031A



### Technical Diagram

(Units : mm)



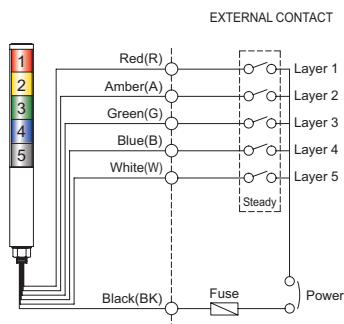


### Wiring Instructions

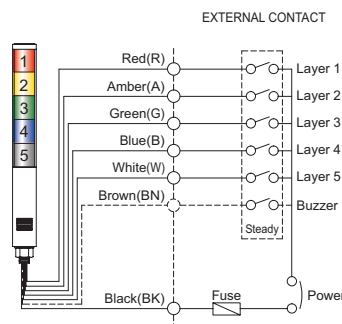
- STA25SLM, STA35SL, STA35SLM and STA45SLM can be wired by using both external contact and transistor.
- In case of wiring by transistor, please make sure if it is NPN type or PNP type. Please carefully follow wiring instructions below.

#### External Contact

STA25SLM-DC/AC  
STA35SL/ STA35SLM-DC



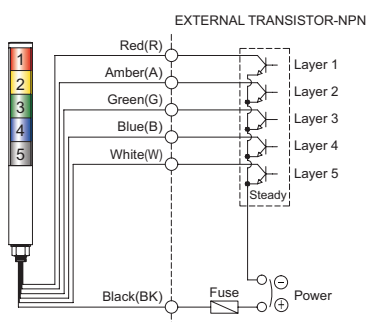
STA45SLM/ STA45SLMP-DC



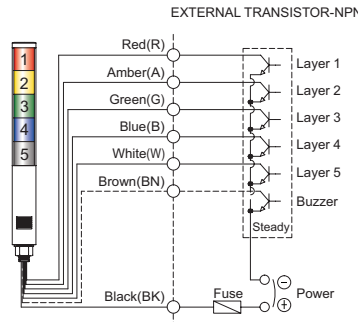
#### Transistor

##### NPN-Transistor

STA25SLM-DC  
STA35SL/ STA35SLM-DC

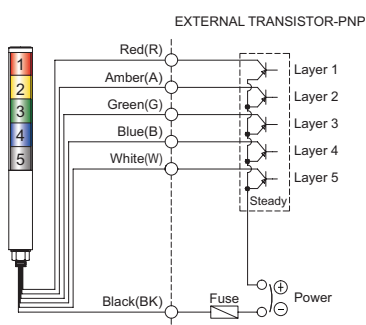


STA45SLM/ STA45SLMP-DC

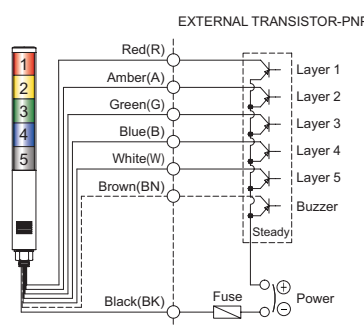


##### PNP-Transistor

STA25SLM-DC  
STA35SL/ STA35SLM-DC



STA45SLM/ STA45SLMP-DC



### Wiring Instructions

- External power line and signal line standard : UL1007 AWG22(0.3sq) 400mm

### Transistor Rating

Type	NPN or PNP
Withstanding voltage	$V_c \geq 35V$
Current	$I_c \geq 300mA$
Leakage current	$0.1mA \geq I_L$

## X-ON Electronics

Largest Supplier of Electrical and Electronic Components

*Click to view similar products for [Audio Indicators & Alerts](#) category:*

*Click to view products by [QLIGHT](#) manufacturer:*

Other Similar products are found below :

[M2BJ-BH24E](#) [6-4](#) [68S1240-PA](#) [MBA-624](#) [F/BC 40P-DR LF](#) [FDG111PLF](#) [F/NRMB 24 BLACK LF](#) [PF-35N29WQ](#) [PFD-27A35PQ](#) [PL-27A35PSQ](#) [PS-531Q](#) [AB2020B-2-LW1](#) [EBPT-401](#) [PB06SD12AP](#) [PB-1220PEQ](#) [S6109](#) [SC2036ACP](#) [SC616N-2](#) [SC628FW](#) [SC628MPG](#) [SC648D](#) [SCS045MD9DT3S](#) [AB2025B-LW50-R](#) [ESZ-25B-5-250B](#) [F/BC 35-DR LF](#) [FCM12PLF](#) [F/EB20P-DR LF](#) [F/HU110MP24V-IP67B](#) [LF](#) [AI-2835-TF-LW150-2-R](#) [AI-4228-TF-LW305-R](#) [FSMD8585JSLF](#) [FSS-26T](#) [F/SU 21-02 LF](#) [F/TCW 05 WITH LABEL LF](#) [F/UCW 03 WITH LABEL LF](#) [F/UCW 06 WITH LABEL LF](#) [PKM22EPPH40S1-B0](#) [PKM35-4A0](#) [PL-35N29WQ](#) [PLD-27A35PQ](#) [PS-552Q](#) [CM-5](#) [M2BJ-BH24E-D](#) [REF-202](#) [LSC628ANR](#) [5-100](#) [PAL-328](#) [03-810.001](#) [RTO-1R07-001](#) [PL-21N31PQ](#) [PF-27A25PSQ](#)