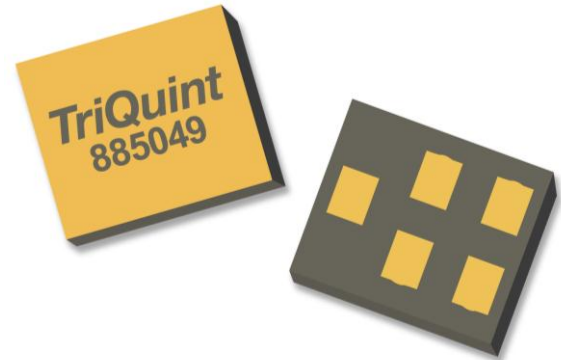


885049

2300-2400 MHz Tx Filter

Applications

- For Band 40 TD-LTE applications



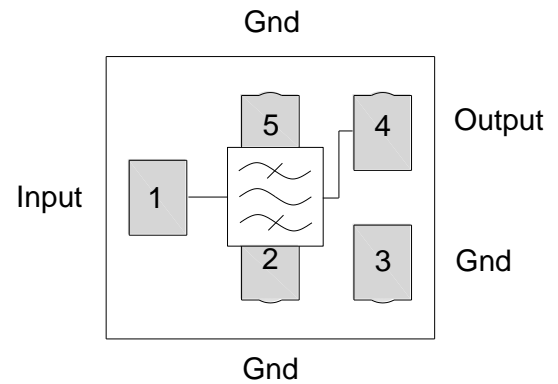
1.4 x 1.2 x 0.46 mm

Product Features

- Highly selective BAW filter achieving low insertion loss over full bandwidth and operating conditions
- Excellent Wi-Fi rejection
- Performance -20 to +90 °C
- RoHS compliant, Pb-free module package

Functional Block Diagram

Top view



General Description

The 885049 is a high-performance Bulk Acoustic Wave (BAW) Tx filter designed to meet the strict LTE rejection requirements for use in B40.

885049 is specifically designed to meet the high performance expectations of insertion loss and rejection for LTE transmit systems under all operating conditions.

The 885049 uses common module packaging techniques to achieve the industry standard 1.4 x 1.2 x 0.46 mm footprint.

Pin Configuration

Pin #	Description
1	B40 Tx input
4	B40 Tx output
2,3,5	Ground*

*Note, see application section for details on optimal grounding

Ordering Information

Part No.	Description
885049	Packaged part
885049-EVB	Evaluation board

Standard T/R size = 10,000 units/reel.

X-ON Electronics

Largest Supplier of Electrical and Electronic Components

Click to view similar products for [Signal Conditioning](#) category:

Click to view products by [Qorvo](#) manufacturer:

Other Similar products are found below :

[MAPDCC0001](#) [MAPDCC0004](#) [PD0409J5050S2HF](#) [880157](#) [HHS-109-PIN](#) [DC1417J5005AHF](#) [AFS14A30-2185.00-T3](#) [AFS14A35-1591.50-T3](#) [DS-323-PIN](#) [B39321R801H210](#) [1A0220-3](#) [JP510S](#) [LFB212G45SG8C341](#) [LFB322G45SN1A504](#) [LFL182G45TC3B746](#) [SF2159E](#) [30057](#)
[FM-104-PIN](#) [CER0813B](#) [MAPDCC0005](#) [3A325](#) [40287](#) [41180](#) [ATB3225-75032NCT](#) [BD0810N50100AHF](#) [BD2425J50200AHF](#)
[C5060J5003AHF](#) [JHS-115-PIN](#) [JP503AS](#) [DC0710J5005AHF](#) [DC2327J5005AHF](#) [DC3338J5005AHF](#) [43020](#) [LFB2H2G60BB1C106](#)
[LFL15869MTC1B787](#) [X3C19F1-20S](#) [XC3500P-20S](#) [10013-20](#) [SF2194E](#) [CDBLB455KCAX39-B0](#) [TGL2208-SM, EVAL](#) [RF1353C](#)
[PD0922J5050D2HF](#) [1E1305-3](#) [1F1304-3S](#) [1G1304-30](#) [B0922J7575AHF](#) [2020-6622-20](#) [TP-103-PIN](#) [BD1222J50200AHF](#)