

FEATURES

- 40V Input Voltage Surge
- 4.5V-36V Operational Input Voltage
- 5.1V/9.1V/12.1V Output with +/-1% Accuracy
- Up to 3.0A Output current
- Constant Current Regulation Limit
- QC2.0 Decoding + USB Auto-Detect
- Support Apple 2.4A, Samsung and BC1.2
- Hiccup Mode Protection at Output Short
- >90% Efficiency at Full Load
- 0.5mA Low Standby Input Current
- 5.7V/10.1V/13.5V Output Over-voltage Protection for 5.1V/9.1V/12.1V Outputs
- Cord Voltage Compensation
- Meet EN55022 Class B Radiated EMI Standard
- 8kV ESD HBM Protection on DP and DM
- SOP-8EP Package

APPLICATIONS

- Car Charger
- Cigarette Lighter Adaptor (CLA)
- Rechargeable Portable Device
- CV/CC regulation DC/DC converter

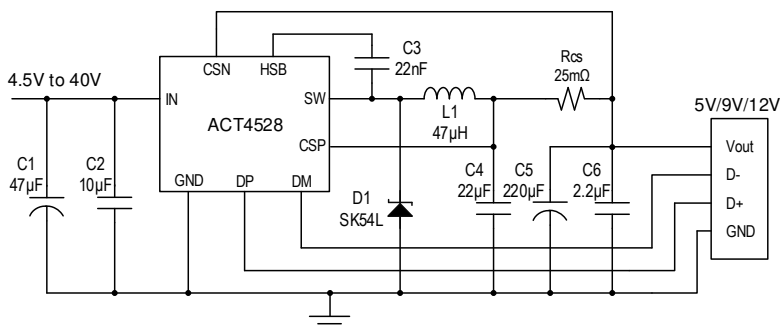
GENERAL DESCRIPTION

ACT4528 is a wide input voltage, high efficiency step-down DC/DC converter that operates in either CV (Constant Output Voltage) mode or CC (Constant Output Current) mode. ACT4528 has QC2.0 decoding built in to provide 5.1V/9.1V/12.1V outputs as requested by attached portable devices. It also supports Apple 2.4A, Samsung and BC1.2 devices to charge at full current rate.

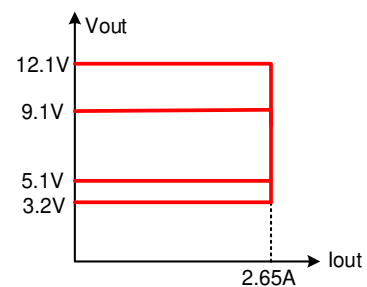
ACT4528 has accurate output current limits under constant current regulation to meet MFi specification. It can provide up to 3.0A output current at 125kHz switching frequency. ACT4528 utilizes adaptive drive technique to achieve good EMI performance while main >90% efficiency at full load for mini size CLA designs. ACT4528 also has output short circuit protection with hiccup mode. The average output current is reduced to below 6mA when output is shorted to ground. Other features include output over voltage protection and thermal shutdown.

ACT4528 is available in a SOP-8EP package and require very few external components for operation.

TYPICAL APPLICATION CIRCUIT



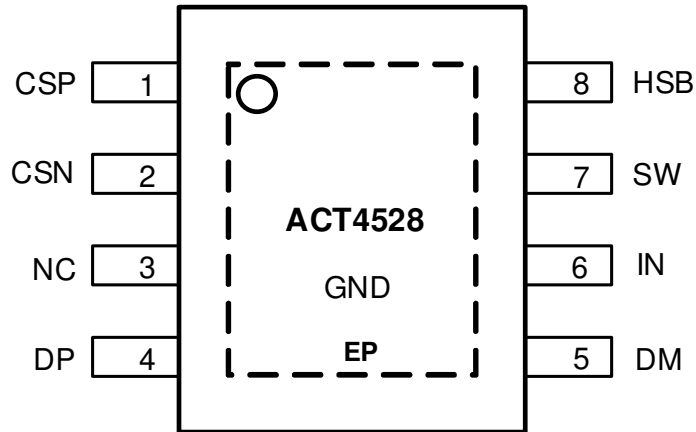
V/I PROFILE



ORDERING INFORMATION

| PART NUMBER | OPERATION TEMPERATURE RANGE | PACKAGE | FREQUENCY | PACKING |
|-------------|-----------------------------|---------|-----------|-------------|
| ACT4528YH-T | -40°C to 85°C | SOP-8EP | 125kHz | TAPE & REEL |

PIN CONFIGURATION



SOP-8EP

Top View

PIN DESCRIPTIONS

| PIN | NAME | DESCRIPTION |
|-----|------|--|
| 1 | CSP | Voltage Feedback Input. Connect to node of the inductor and output capacitor. CSP and CSN Kelvin sense is recommended. |
| 2 | CSN | Negative input terminal of output current sense. Connect to the negative terminal of current sense resistor |
| 3 | NC | Not connected. |
| 4 | DP | Data Line Positive Input. Connected to D+ of attached portable device data line. This pin passes 8kV HBM ESD. |
| 5 | DM | Data Line Negative Input. Connected to D- of attached portable device data line. This pin passes 8kV HBM ESD. |
| 6 | IN | Power Supply Input. Bypass this pin with a 10 μ F ceramic capacitor to GND, placed as close to the IC as possible. |
| 7 | SW | Power Switching Output to External Inductor. |
| 8 | HSB | High Side Bias Pin. This provides power to the internal high-side MOSFET gate driver. Connect a 22nF capacitor from HSB pin to SW pin. |
| 9 | GND | Ground and Heat Dissipation Pad. Connect this exposed pad to large ground copper area with copper and vias. |

ABSOLUTE MAXIMUM RATINGS^①

| PARAMETER | VALUE | UNIT |
|--|--------------------------------|----------------|
| IN to GND | -0.3 to 40 | V |
| SW to GND | -1 to $V_{IN} + 1$ | V |
| HSB to GND | $V_{SW} - 0.3$ to $V_{SW} + 7$ | V |
| CSP, CSN to GND | -0.3 to +15 | V |
| All other pins to GND | -0.3 to +6 | V |
| Junction to Ambient Thermal Resistance | 46 | $^{\circ}$ C/W |
| Operating Junction Temperature | -40 to 150 | $^{\circ}$ C |
| Storage Junction Temperature | -55 to 150 | $^{\circ}$ C |
| Lead Temperature (Soldering 10 sec.) | 300 | $^{\circ}$ C |

^①: Do not exceed these limits to prevent damage to the device. Exposure to absolute maximum rating conditions for long periods may affect device reliability.

**ELECTRICAL CHARACTERISTICS**(V_{IN} = 12V, T_A = 25°C, unless otherwise specified.)

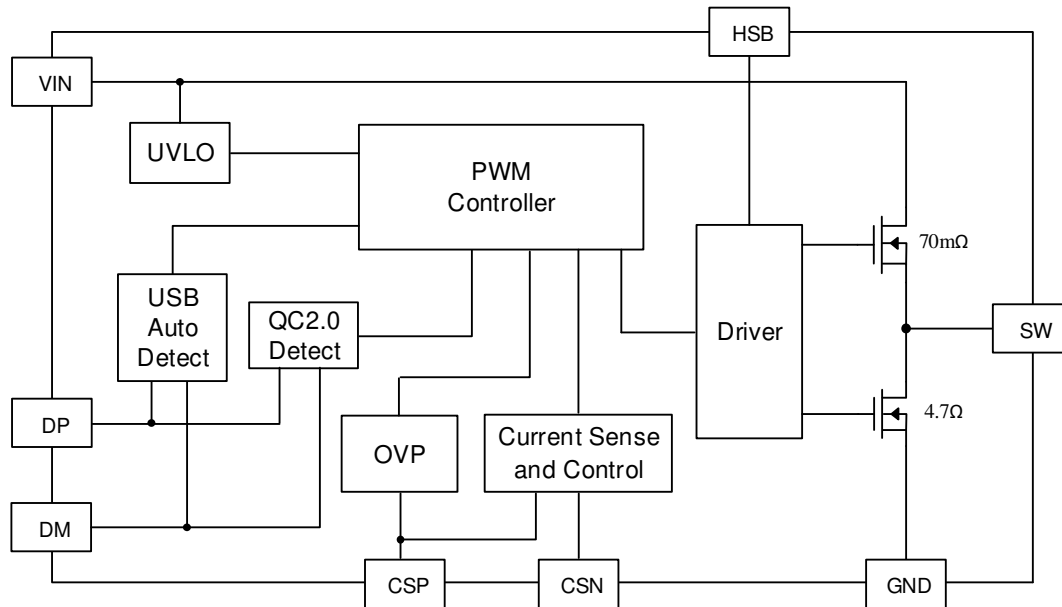
| PARAMETER | SYMBOL | CONDITIONS | MIN | TYP | MAX | UNIT |
|--|-----------|-----------------------------|----------------------|---------------------|----------------------|------|
| Input Over Voltage Protection | VIN_OVP | Rising | 40 | 42 | 44 | V |
| Input Over Voltage Hysteresis | | | | 4 | | V |
| Input Over Voltage Response Time | T_VIN_OVP | VIN step from 30V to 45V | | 250 | | ns |
| Input Under Voltage Lockout (UVLO) | VIN | Rising | | 4.5 | | V |
| Input UVLO Hysteresis | | | | 200 | | mV |
| Input Voltage Power Good Deglitch Time | | No OVP | | 40 | | ms |
| | | No UVP | | 10 | | us |
| Input Standby Current | | Vin=12V, Vout=5.1V, Iload=0 | | 500 | | uA |
| Output Voltage Regulation | CSP | | 5.05 9.0 11.95 | 5.1 9.1 12.1 | 5.15 9.2 12.25 | V |
| Output Over Voltage Protection (OVP) | | Output rising | | 5.7 10.1 13.5 | | V |
| Output Over Voltage Deglitch Time | | | | 1.0 | | us |
| Output Voltage Load Compensation | | Output current 2.4A | -15% | 200 | +15% | mV |
| Output Under Voltage Protection (UVP) | VOUT | VOUT falling | -10% | 3.2 | 10% | V |
| UVP Hysteresis | VOUT | VOUT rising | | 0.2 | | V |
| UVP Deglitch Time | VOUT | | | 10 | | us |
| UVP Blanking Time at Startup | | | | 3.5 | | ms |
| Output Constant Current Limit | | Rcs=25mΩ | 2.50 | 2.65 | 2.80 | A |
| Hiccup Waiting Time | | | | 4.13 | | S |
| Top FET Cycle by Cycle Current Limit | | | 4.5 | 5.8 | | A |
| Top FET Rdson | | | | 70 | | mΩ |
| Bottom FET Rdson | | | | 4.7 | | Ω |
| Maximum Duty Cycle | | | 99 | | | % |
| Switching Frequency | | | -10% | 125 | +10% | kHz |
| Soft-Start Time | | | | 2.0 | | ms |

ELECTRICAL CHARACTERISTICS

 (V_{IN} = 12V, T_A = 25°C, unless otherwise specified.)

| PARAMETER | SYMBOL | CONDITIONS | MIN | TYP | MAX | UNIT |
|---|----------|--|------|------|------|------|
| Out Voltage Ripples | | Cout=470uF/22uF ceramic | | 80 | | mV |
| VOUT Discharge Current | | For high to lower voltage transitions | | 60 | | mA |
| Voltage transition time for QC 2.0 transition | | 12V-5V | | | 100 | ms |
| | | 5V-12V | | | 100 | ms |
| Line Transient Response | | Input 12V-40V-12V with 1V/us slew rate, Vout=5V, Iload=0A and 2.4A | 4.75 | | 5.25 | V |
| Load Transient Response | Vout=5V | 80mA-1.0A-80mA load with 0.1A/us slew rate | 4.9 | 5.15 | 5.4 | V |
| | Vout=9V | 80mA-1.0A-80mA load with 0.1A/us slew rate | 8.7 | 9.1 | 9.5 | V |
| | Vout=12V | 80mA-1.0A-80mA load with 0.1A/us slew rate | 11.6 | 12.1 | 12.6 | V |
| Thermal Shut Down | | | | 160 | | °C |
| Thermal Shut Down Hysteresis | | | | 30 | | °C |
| ESD of DP, DM | | HBM | | 8 | | kV |

FUNCTIONAL BLOCK DIAGRAM



FUNCTIONAL DESCRIPTION

Output Current Sensing and Regulation

Sense resistor is connected to CSP and CSN. The sensed differential voltage is compared with interval reference to regulate current. CC loop and CV loop are in parallel. The current loop response is allowed to have slower response compared to voltage loop. However, during current transient response, the inductor current overshoot/undershoot should be controlled within +/-25% to avoid inductor saturation.

Cycle-by-Cycle Current Control

The conventional cycle-by-cycle peak current mode is implemented with high-side FET current sense.

Input Over Voltage Protection

The converter is disabled if the input voltage is above 42V (+/-2V). Device resumes operation automatically 40ms after OVP is cleared.

Output Over Voltage Protection

Device stops switching when output over-voltage is sensed, and resumes operation automatically when output voltage drops to OVP- hysteresis.

Output Over Voltage Discharge

Discharge circuit starts to discharge output through CSP pins when output over voltage is detected. Discharge circuit brings 12V down to 5V in less than 100ms.

Output Under-Voltage Protection / Hiccup Mode

There is a under voltage protection (UVP) threshold. If the UVP threshold is hit for 10us, an over current or short circuit is assumed, and the converter goes into hiccup mode by disabling the converter and restarts after hiccup waiting period.

Cord Compensation

In some applications, the output voltage is increased with output current to compensate the potential voltage drop across output cable. The compensation is based on the high side feedback resistance.

The compensation voltage is derived as:

$$\Delta V_{out} = (V_{CSP} - V_{CSN}) * K$$

Where $K=3.03$

This voltage difference could be added on the reference or turning the $(V_{CSP} - V_{CSN})$ voltage into a sink current at FB pin to pull V_{out} higher than programmed voltage.

The cord compensation loop should be very slow to avoid potential disturbance to the voltage loop. The voltage loop should be sufficiently stable on various cord compensation setting.

Thermal Shutdown

If the T_J increases beyond 160°C, ACT4528 goes into HZ mode and the timer is preserved until T_J drops by 30°C.

APPLICATIONS INFORMATION

Inductor Selection

The inductor maintains a continuous current to the output load. This inductor current has a ripple that is dependent on the inductance value.

Higher inductance reduces the peak-to-peak ripple current. The trade off for high inductance value is the increase in inductor core size and series resistance, and the reduction in current handling capability. In general, select an inductance value L based on ripple current requirement:

$$L = \frac{V_{OUT} \times (V_{IN} - V_{OUT})}{V_{IN} f_{SW} I_{LOADMAX} K_{RIPPLE}} \quad (1)$$

Where V_{IN} is the input voltage, V_{OUT} is the output voltage, f_{SW} is the switching frequency, $I_{LOADMAX}$ is the maximum load current, and K_{RIPPLE} is the ripple factor. Typically, choose $K_{RIPPLE} = 30\%$ to correspond to the peak-to-peak ripple current being 30% of the maximum load current.

With a selected inductor value the peak-to-peak inductor current is estimated as:

$$I_{LPK-PK} = \frac{V_{OUT} \times (V_{IN} - V_{OUT})}{L \times V_{IN} \times f_{SW}} \quad (2)$$

The peak inductor current is estimated as:

$$I_{LPK} = I_{LOADMAX} + \frac{1}{2} I_{LPK-PK} \quad (3)$$

The selected inductor should not saturate at I_{LPK} . The maximum output current is calculated as:

$$I_{OUTMAX} = I_{LIM} - \frac{1}{2} I_{LPK-PK} \quad (4)$$

I_{LIM} is the internal current limit.

Input Capacitor

The input capacitor needs to be carefully selected to maintain sufficiently low ripple at the supply input of the converter. A low ESR capacitor is highly recommended. Since large current flows in and out of this capacitor during switching, its ESR also affects efficiency.

The input capacitance needs to be higher than 10 μ F. The best choice is the ceramic type. However, low ESR tantalum or electrolytic types may also be used provided that the RMS ripple current rating is higher than 50% of the output current. The input capacitor should be placed close to the IN and GND pins of the IC, with the shortest traces possible. In the case of tantalum or electrolytic

types, a ceramic capacitor is recommended to parallel with tantalum or electrolytic capacitor, which should be placed right next to the IC.

Output Capacitor

The output capacitor also needs to have low ESR to keep low output voltage ripple. The output ripple voltage is:

$$V_{RIPPLE} = I_{LPK-PK} \left(R_{ESR} + \frac{1}{8 \times f_{SW} \times C_{OUT}} \right) \quad (5)$$

Where I_{OUTMAX} is the maximum output current, K_{RIPPLE} is the ripple factor, R_{ESR} is the ESR of the output capacitor, f_{SW} is the switching frequency, L is the inductor value, and C_{OUT} is the output capacitance. In the case of ceramic output capacitors, R_{ESR} is very small and does not contribute to the ripple. Therefore, a lower capacitance value can be used for ceramic type. In the case of tantalum or electrolytic capacitors, the ripple is dominated by R_{ESR} multiplied by the ripple current. In that case, the output capacitor is chosen to have sufficiently low ESR.

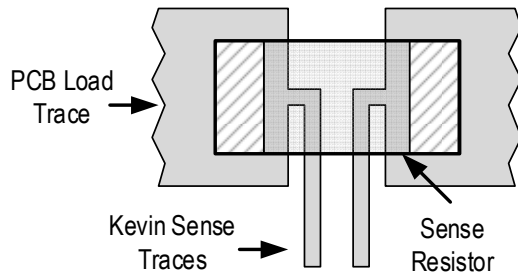
For ceramic output capacitor, typically choose a capacitance of about 22 μ F. For tantalum or electrolytic capacitors, choose a capacitor with less than 50m Ω ESR. If an 330 μ F or 470 μ F electrolytic capacitor is used, where ripple is dominantly caused ESR, a 2.2 μ F ceramic in parallel is recommended.

Rectifier Schottky Diode

Use a Schottky diode as the rectifier to conduct current when the High-Side Power Switch is off. The Schottky diode must have current rating higher than the maximum output current and a reverse voltage rating higher than the maximum input voltage. Further more, the low forward voltage Schottky is preferable for high efficiency and smoothly operation.

Current Sense Resistor

The traces leading to and from the sense resistor can be significant error sources. With small value sense resistors, trace resistance shared with the load can cause significant errors. It is recommended to connect the sense resistor pads directly to the CSP and CSN pins using "Kelvin" or "4-wire" connection techniques as shown below.



Current Limit Setting

If output current hits current limit, output voltage drops to keep the current to a constant value.

The following equation calculates the constant current limit.

$$I_{Limit} (A) = \frac{66 \text{ mV}}{R_{cs} (m\Omega)} \quad (6)$$

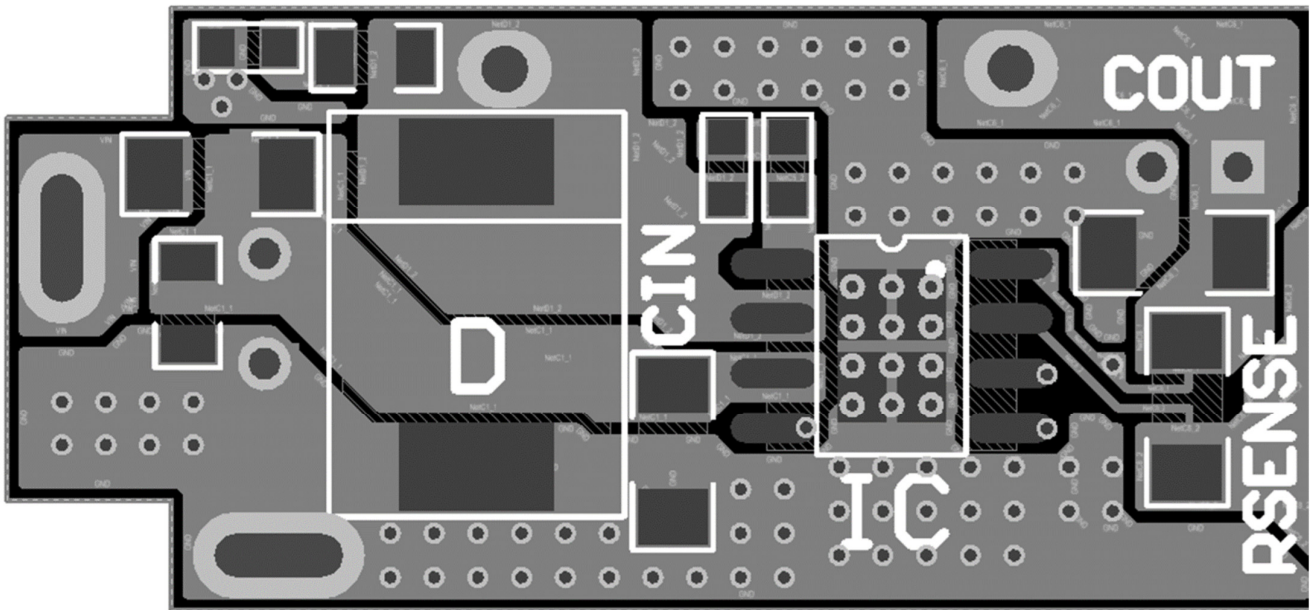
Where R_{cs} is current sense resistor.

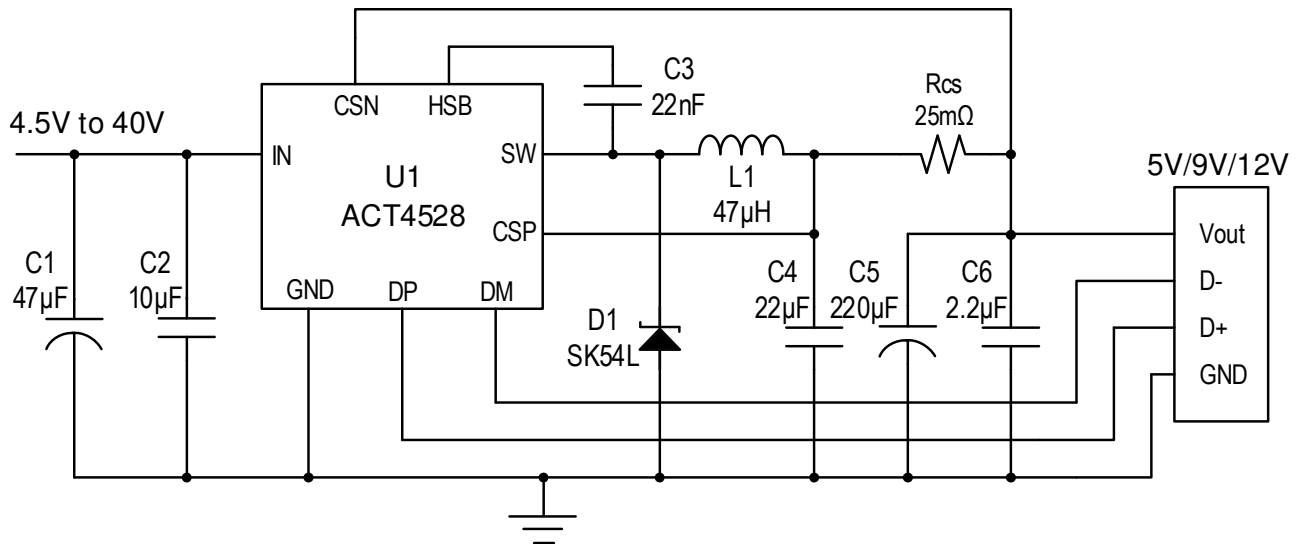
PCB Layout Guidance

When laying out the printed circuit board, the following checklist should be used to ensure proper operation of the IC.

- 1) Arrange the power components to reduce the AC loop size consisting of C_{IN} , V_{IN} pin, SW pin and the Schottky diode.
- 2) The high power loss components, e.g. the controller, Schottky diode, and the inductor should be placed carefully to make the thermal spread evenly on the board.
- 3) Place input decoupling ceramic capacitor C_{IN} as close to V_{IN} pin as possible. C_{IN} should be connected to power GND with several vias or short and wide copper trace.
- 4) Schottky anode pad and IC exposed pad should be placed close to ground clips in CLA applications
- 5) Use “Kelvin” or “4-wire” connection techniques from the sense resistor pads directly to the CSP and CSN pins. The CSP and CSN traces should be in parallel to avoid interference.
- 6) Place multiple vias between top and bottom GND planes for best heat dissipation and noise immunity.
- 7) Use short traces connecting HSB- C_{HSB} -SW loop.
- 8) SW pad is noise node switching from V_{IN} to GND. It should be isolated away from the rest of circuit for good EMI and low noise operation.

Example PCB Layout

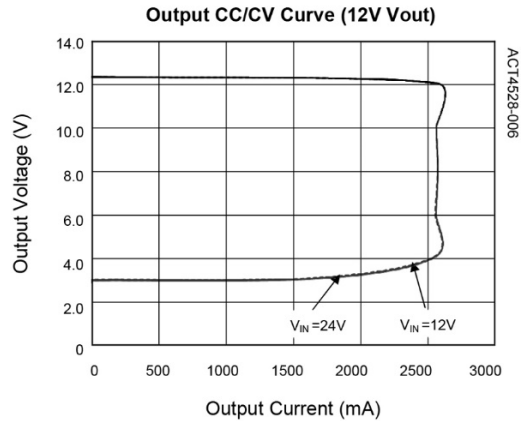
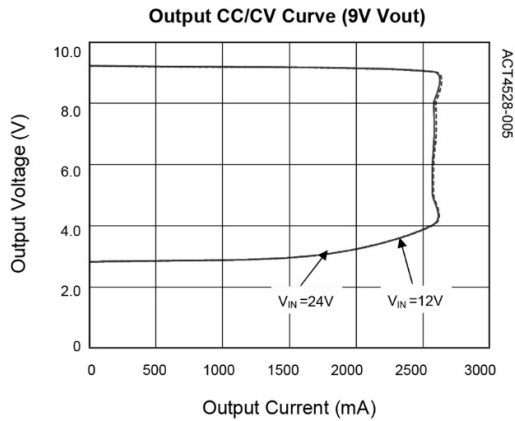
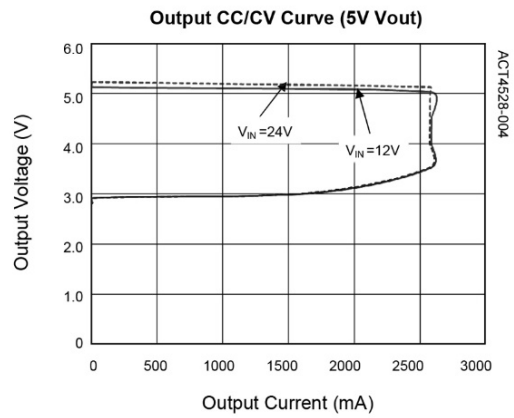
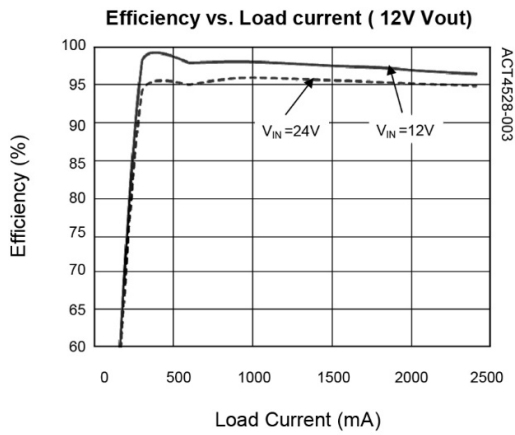
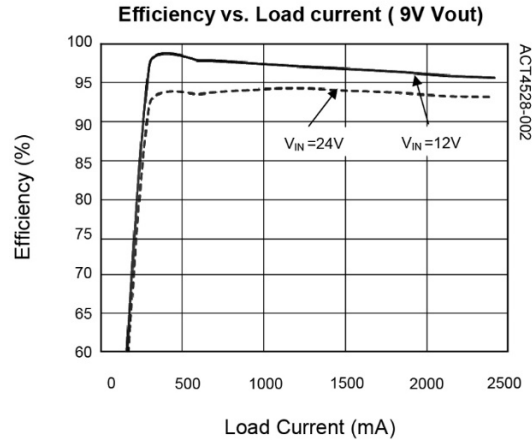
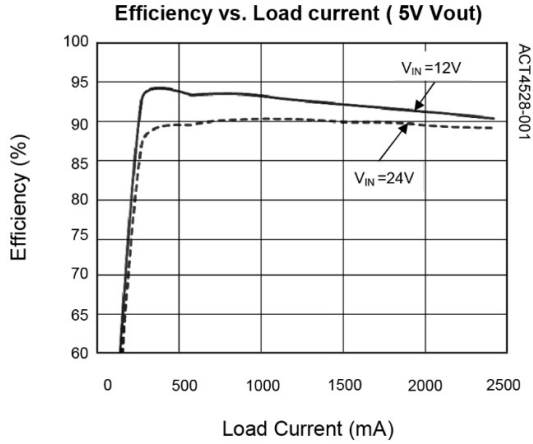


Typical Application Circuit

BOM List for 2.4A QC Car Charger

| ITEM | REFERENCE | DESCRIPTION | MANUFACTURER | QTY |
|------|-----------|--|--------------|-----|
| 1 | U1 | IC, ACT4528, SOP-8EP | Active-Semi | 1 |
| 2 | C1 | Capacitor, Electrolytic, 47µF/35V | Murata, TDK | 1 |
| 3 | C2 | Capacitor, Ceramic, 10µF/25V, 1206, SMD | Murata, TDK | 1 |
| 4 | C3 | Capacitor, Ceramic, 22nF/25V, 0603, SMD | Murata, TDK | 1 |
| 5 | C4 | Capacitor, Ceramic, 22µF/16V, 1206, SMD | Murata, TDK | 1 |
| 6 | C5 | Capacitor, Electrolytic, 220µF/16V | Murata, TDK | 1 |
| 7 | C6 | Capacitor, Ceramic, 2.2µF/16V, 0805, SMD | Murata, TDK | 1 |
| 8 | L1 | Inductor, 40µH, 3.5A, 20% | | 1 |
| 9 | D1 | Diode, Schottky, 40V/5A, SK54L | Panjit | 1 |
| 10 | Rcs | Chip Resistor, 25mΩ, 1206, 1/2W, 1% | SART | 1 |

TYPICAL PERFORMANCE CHARACTERISTICS

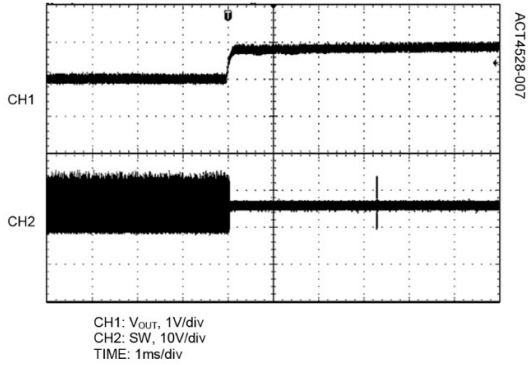
(Schematic as show in typical application circuit, Ta = 25°C, unless otherwise specified)



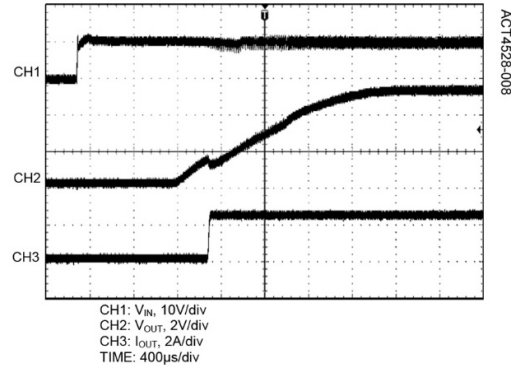
TYPICAL PERFORMANCE CHARACTERISTICS

(Schematic as show in typical application circuit, Ta = 25°C, unless otherwise specified)

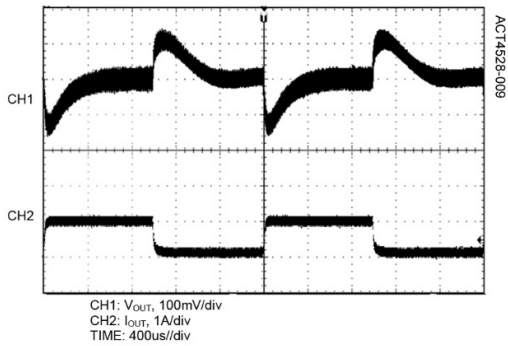
Output Over Voltage (5V Vout)



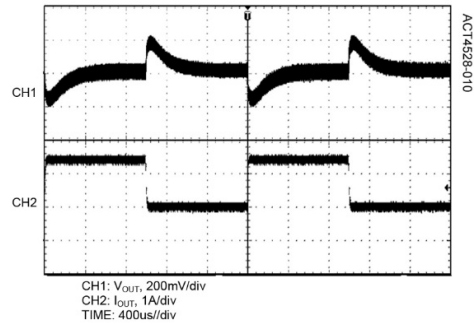
Start up into CC Mode



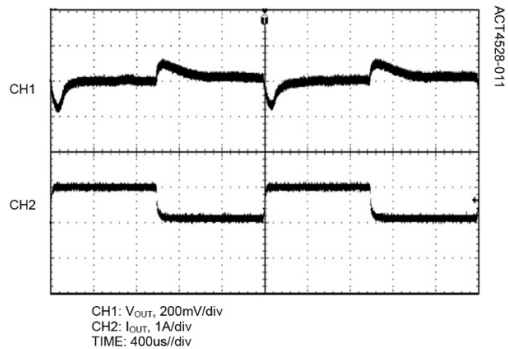
Load Transient (80mA-1A-80mA)
Vin=12V, Vout=5V



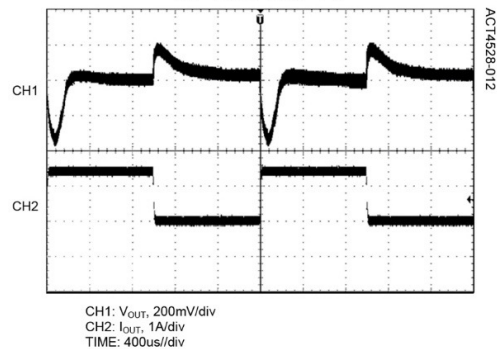
Load Transient (1A-2.4A-1A)
Vin=12V, Vout=5V



Load Transient (80mA-1A-80mA)
Vin=12.6V, Vout=12V



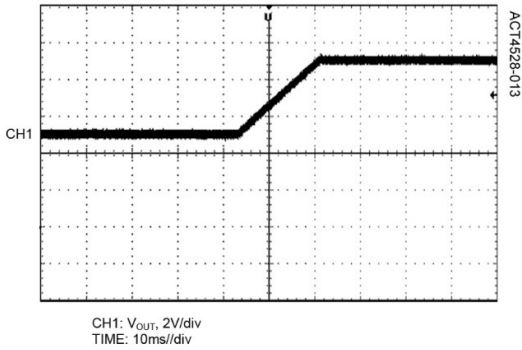
Load Transient (1A-2.4A-1A)
Vin=12.6V, Vout=12V



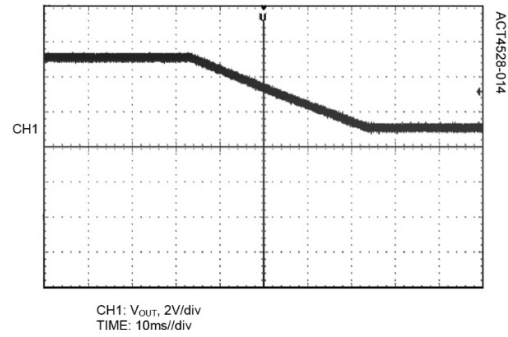
TYPICAL PERFORMANCE CHARACTERISTICS

(Schematic as show in typical application circuit, Ta = 25°C, unless otherwise specified)

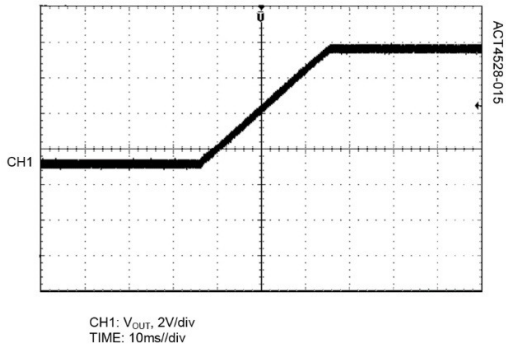
Voltage Transient (5V-9V)



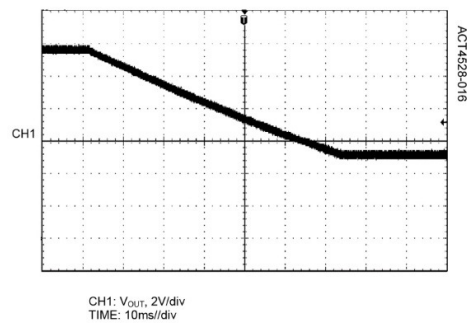
Voltage Transient (9V-5V)



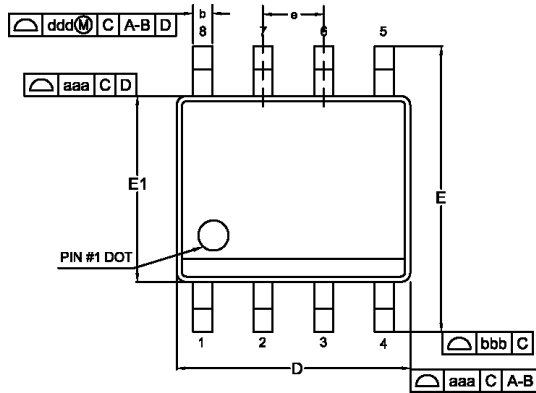
Voltage Transient (5V-12V)



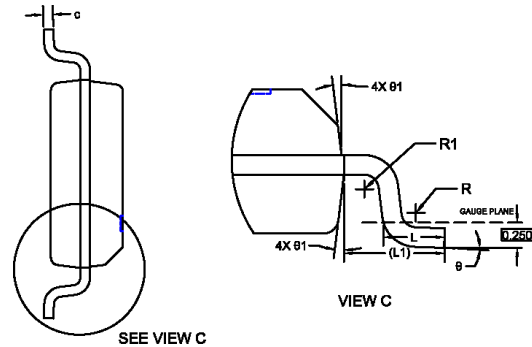
Voltage Transient (12V-5V)



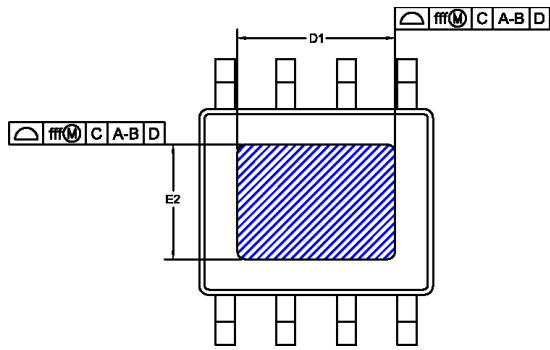
PACKAGE OUTLINE AND DIMENSIONS



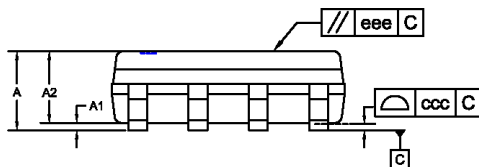
Top View



Side View



Bottom View



Side View

| Dimensional Ref. | | | |
|-----------------------|-----------|------|-------|
| REF. | Min. | Nom. | Max. |
| A | 1.370 | -- | 1.730 |
| A1 | 0.025 | -- | 0.150 |
| A2 | 1.250 | -- | -- |
| b | 0.360 | -- | 0.480 |
| c | 0.170 | -- | 0.250 |
| D | 4.900BSC | | |
| E | 6.000BSC | | |
| E1 | 3.900BSC | | |
| D1 | 3.300BSC | | |
| E2 | 2.400BSC | | |
| e | 1.270 BSC | | |
| L | 0.500 | -- | 1.000 |
| L1 | 1.040REF. | | |
| R | 0.070 | -- | -- |
| R1 | 0.070 | -- | -- |
| θ | 0° | -- | 8° |
| θ1 | 5° | -- | 15° |
| Tol. of Form&Position | | | |
| aaa | 0.10 | | |
| bbb | 0.20 | | |
| ccc | 0.10 | | |
| ddd | 0.25 | | |
| eee | 0.10 | | |
| fff | 0.15 | | |

Notes

1. ALL DIMENSIONS AND TOLERANCES CONFORM TO ASME Y14.5-2009.
2. ALL DIMENSIONS ARE IN MILLIMETERS.
3. UNILATERAL COPLANARITY ZONE APPLIES TO THE EXPOSED PAD AS WELL AS THE TERMINALS.

Product Compliance

This part complies with RoHS directive 2011/65/EU as amended by (EU) 2015/863.

This part also has the following attributes:

- Lead Free
- Halogen Free (Chlorine, Bromine)



Contact Information

For the latest specifications, additional product information, worldwide sales and distribution locations:

Web: www.qorvo.com

Tel: 1-844-890-8163

Email: customer.support@qorvo.com

For technical questions and application information:

Email: appsupport@qorvo.com

Important Notice

The information contained herein is believed to be reliable; however, Qorvo makes no warranties regarding the information contained herein and assumes no responsibility or liability whatsoever for the use of the information contained herein. All information contained herein is subject to change without notice. Customers should obtain and verify the latest relevant information before placing orders for Qorvo products. The information contained herein or any use of such information does not grant, explicitly or implicitly, to any party any patent rights, licenses, or any other intellectual property rights, whether with regard to such information itself or anything described by such information. **THIS INFORMATION DOES NOT CONSTITUTE A WARRANTY WITH RESPECT TO THE PRODUCTS DESCRIBED HEREIN, AND QORVO HEREBY DISCLAIMS ANY AND ALL WARRANTIES WITH RESPECT TO SUCH PRODUCTS WHETHER EXPRESS OR IMPLIED BY LAW, COURSE OF DEALING, COURSE OF PERFORMANCE, USAGE OF TRADE OR OTHERWISE, INCLUDING THE IMPLIED WARRANTIES OF MERCHANTABILITY AND FITNESS FOR A PARTICULAR PURPOSE.**

Without limiting the generality of the foregoing, Qorvo products are not warranted or authorized for use as critical components in medical, life-saving, or life-sustaining applications, or other applications where a failure would reasonably be expected to cause severe personal injury or death.

Copyright 2019 © Qorvo, Inc. | Qorvo® and Active-Semi® are trademarks of Qorvo, Inc.

X-ON Electronics

Largest Supplier of Electrical and Electronic Components

Click to view similar products for [Switching Voltage Regulators](#) category:

Click to view products by [Qorvo](#) manufacturer:

Other Similar products are found below :

[FAN53610AUC33X](#) [FAN53611AUC123X](#) [FAN48610BUC33X](#) [FAN48610BUC45X](#) [FAN48617UC50X](#) [R3](#) [430464BB](#) [KE177614](#)
[MAX809TTR](#) [NCV891234MW50R2G](#) [NCP81103MNTXG](#) [NCP81203PMNTXG](#) [NCP81208MNTXG](#) [NCP81109GMNTXG](#)
[SCY1751FCCT1G](#) [NCP81109JMNTXG](#) [AP3409ADNTR-G1](#) [NCP81241MNTXG](#) [LTM8064IY](#) [LT8315EFE#TRPBF](#) [LTM4668AIY#PBF](#)
[NCV1077CSTBT3G](#) [XCL207A123CR-G](#) [MPM54304GMN-0002](#) [MPM54304GMN-0004](#) [MPM54304GMN-0003](#)
[XDPE132G5CG000XUMA1](#) [MP8757GL-P](#) [MP9943AGQ-P](#) [MIC23356YFT-TR](#) [LD8116CGL](#) [HG2269M/TR](#) [OB2269](#) [XD3526](#) [U6215A](#)
[U6215B](#) [U6620S](#) [LTC3412IFE](#) [LT1425IS](#) [MAX25203BATJA/VY+](#) [MAX77874CEWM+](#) [XC9236D08CER-G](#) [ISL95338IRTZ](#) [MP3416GJ-P](#)
[BD9S201NUX-CE2](#) [MP5461GC-Z](#) [MPQ4415AGQB-Z](#) [MPQ4590GS-Z](#) [MAX38640BENT18+T](#) [MAX77511AEWB+](#)