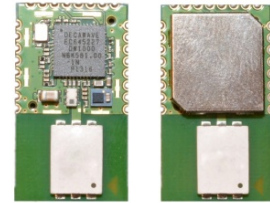


## Product Overview

The DWM1000 module is based on Decawave's DW1000 Ultra Wideband (UWB) transceiver IC. It integrates antenna, all RF circuitry, power management and clock circuitry in one module. It can be used in 2-way ranging or TDOA location systems to locate assets to a precision of 10 cm and supports data rates of up to 6.8 Mbps



## Key Features

- IEEE 802.15.4-2011 UWB compliant
- Supports 4 RF bands from 3.5 GHz to 6.5 GHz
- Programmable transmitter output power
- Fully coherent receiver for maximum range and accuracy
- Designed to comply with FCC & ETSI UWB spectral masks
- Supply voltage 2.8 V to 3.6 V
- Low power consumption
- Data rates of 110 kbps, 850 kbps, 6.8 Mbps
- Maximum packet length of 1023 bytes for high data throughput applications
- Integrated MAC support features
- Supports 2-way ranging and TDOA
- SPI interface to host processor
- 23 mm x 13 mm x 2.9 mm 24-pin side castellation package

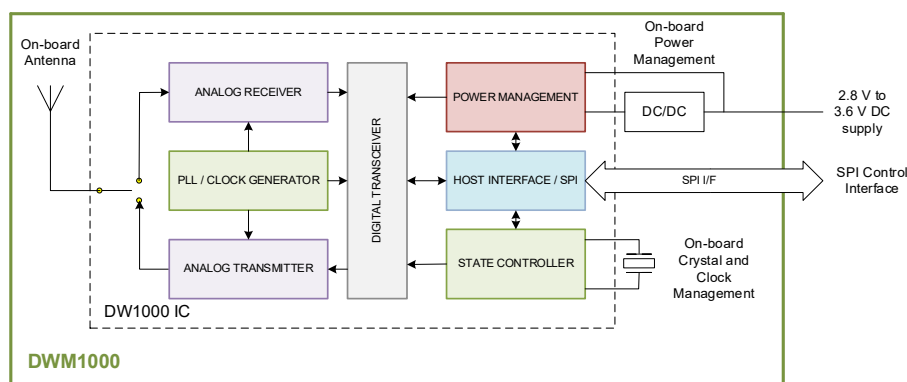
## Key Benefits

- Simplifies integration, no RF design required
- Very precise location of tagged objects delivers enterprise efficiency gains and cost reductions
- Extended communications range minimises required infrastructure in RTLS
- High multipath fading immunity
- Supports very high tag densities in RTLS
- Low cost allows cost-effective implementation of solutions
- Low power consumption reduces the need to replace batteries and lowers system lifetime costs

## Applications

- Precision real time location systems (RTLS) using two-way ranging or TDOA schemes in a variety of markets.
- Location aware wireless sensor networks (WSNs)

**DWM1000 IEEE 802.15.4-2011 UWB Transceiver Module**



**High Level Block Diagram**

## Table of Contents

<b>1 OVERVIEW</b> .....	<b>5</b>	5.2 APPLICATION CIRCUIT DIAGRAM.....	17
1.1 DWM1000 FUNCTIONAL DESCRIPTION.....	5	5.2.1 SPI Bus .....	18
1.2 DWM1000 POWER UP .....	5	5.2.2 Configuring the SPI Mode.....	18
1.3 SPI HOST INTERFACE .....	6	5.2.3 Powering down the DWM1000 .....	19
1.3.1 SPI Signal Timing .....	6	<b>6 PACKAGE INFORMATION</b> .....	<b>20</b>
1.4 GENERAL PURPOSE INPUT OUTPUT (GPIO) .....	7	6.1 MODULE DRAWINGS.....	20
1.5 ALWAYS-ON (AON) MEMORY .....	7	6.2 MODULE LAND PATTERN .....	20
1.6 ONE-TIME PROGRAMMABLE (OTP) MEMORY... ..	7	6.3 DWM1000 V1 MODULE MARKING INFORMATION .....	22
1.7 INTERRUPTS AND DEVICE STATUS .....	7	6.4 DWM1000 V2 MODULE MARKING INFORMATION .....	22
1.8 MAC.....	7	6.5 MODULE SOLDER PROFILE.....	23
<b>2 DWM1000 CALIBRATION</b> .....	<b>8</b>	<b>7 ORDERING INFORMATION</b> .....	<b>24</b>
2.1.1 Crystal Oscillator Trim .....	8	7.1 TAPE AND REEL INFORMATION FOR DWM1000 V1 .....	24
2.1.2 Transmitter Calibration .....	8	7.2 TAPE AND REEL INFORMATION FOR DWM1000 V2 .....	26
2.1.3 Antenna Delay Calibration .....	8	7.3 DWM1000 PACKAGING INFORMATION.....	27
<b>3 DWM1000 PIN CONNECTIONS</b> .....	<b>9</b>	7.3.1 Inner Box V2.....	27
3.1 PIN NUMBERING.....	9	7.3.2 Outer Box V2.....	27
3.2 PIN DESCRIPTIONS.....	9	<b>8 REGULATORY INFORMATION</b> .....	<b>28</b>
<b>4 ELECTRICAL SPECIFICATIONS</b> .....	<b>12</b>	8.1 EUROPEAN UNION REQUIREMENTS .....	28
4.1 NOMINAL OPERATING CONDITIONS .....	12	8.1.1 Radio Equipment Directive .....	28
4.2 DC CHARACTERISTICS.....	12	8.1.2 ETSI harmonised standards .....	29
4.3 RECEIVER AC CHARACTERISTICS .....	12	<b>9 GLOSSARY</b> .....	<b>30</b>
4.4 RECEIVER SENSITIVITY CHARACTERISTICS .....	13	<b>10 REFERENCES</b> .....	<b>31</b>
4.5 REFERENCE CLOCK AC CHARACTERISTICS .....	13	<b>11 DOCUMENT HISTORY</b> .....	<b>31</b>
4.5.1 Reference Frequency.....	13	<b>12 FURTHER INFORMATION</b> .....	<b>33</b>
4.6 TRANSMITTER AC CHARACTERISTICS .....	13		
4.7 TEMPERATURE AND VOLTAGE MONITOR CHARACTERISTICS.....	14		
4.8 ANTENNA PERFORMANCE .....	14		
4.9 ABSOLUTE MAXIMUM RATINGS .....	16		
<b>5 APPLICATION INFORMATION</b> .....	<b>17</b>		
5.1 APPLICATION BOARD LAYOUT GUIDELINES .....	17		

## List of Figures

FIGURE 1: DWM1000 POWER-UP SEQUENCE .....	5	INFORMATION.....	22
FIGURE 2: DW1000 SPIPHA=0 TRANSFER PROTOCOL....	6	FIGURE 14: DWM1000 V2 MODULE MARKING INFORMATION.....	22
FIGURE 3: DWM1000 SPI TIMING DIAGRAM.....	6	FIGURE 15: DWM1000 MODULE SOLDER PROFILE.....	23
FIGURE 4: DWM1000 SPI DETAILED TIMING DIAGRAM..	6	FIGURE 16: DWM1000 V1 MODULE CARRIER DIMENSION (UNITS: MM).....	24
FIGURE 5: DWM1000 PIN DIAGRAM .....	9	FIGURE 17: DWM1000 V1 MODULE TAPE CARRIER DIMENSION (UNITS: MM).....	25
FIGURE 6. DWM1000 CIRCUIT BOARD MOUNTING.....	14	FIGURE 16: DWM1000 V2 MODULE CARRIER DIMENSION (UNITS: MM).....	26
FIGURE 7. MEASURED ANTENNA RADIATION PATTERNS... ..	15	FIGURE 17: DWM1000 V2 MODULE TAPE CARRIER DIMENSION (UNITS: MM).....	26
FIGURE 8: DWM1000 APPLICATION BOARD KEEP-OUT AREAS.....	17	FIGURE 18: MODULE INNER BOX (UNITS: MM).....	27
FIGURE 9: EXAMPLE DWM1000 APPLICATION CIRCUIT..	18	FIGURE 19: MODULE OUTER BOX: (MODULE QUANTITY 2000 PIECES) .....	27
FIGURE 10: SPI BUS CONNECTIONS .....	18		
FIGURE 11: MODULE PACKAGE SIZE (UNITS: MM) .....	20		
FIGURE 12: DWM1000 MODULE LAND PATTERN (UNITS: MM) .....	21		
FIGURE 13: DWM1000 V1 MODULE MARKING INFORMATION.....	22		

---

## List of Tables

TABLE 1: DW1000 POWER-UP TIMINGS.....	5
TABLE 2: DWM1000 SPI TIMING PARAMETERS .....	6
TABLE 3: DWM1000 PIN FUNCTIONS .....	9
TABLE 4: EXPLANATION OF ABBREVIATIONS.....	11
TABLE 5: DWM1000 OPERATING CONDITIONS .....	12
TABLE 6: DWM1000 DC CHARACTERISTICS.....	12
TABLE 7: DWM1000 RECEIVER AC CHARACTERISTICS ...	12
TABLE 8: DWM1000 TYPICAL RECEIVER SENSITIVITY CHARACTERISTICS .....	13
TABLE 9: DWM1000 REFERENCE CLOCK AC CHARACTERISTICS .....	13
TABLE 10: DWM1000 TRANSMITTER AC CHARACTERISTICS .....	13
TABLE 11: DWM1000 TEMPERATURE AND VOLTAGE MONITOR CHARACTERISTICS.....	14
TABLE 12: DWM1000 ABSOLUTE MAXIMUM RATINGS.	16
TABLE 13: DW1000 SPI MODE CONFIGURATION .....	18
TABLE 14: MODULE WEIGHT .....	21
TABLE 15: GLOSSARY OF TERMS.....	30

## DOCUMENT INFORMATION

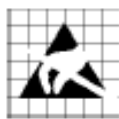
### Disclaimer

Decawave reserves the right to change product specifications without notice. As far as possible changes to functionality and specifications will be issued in product specific errata sheets or in new versions of this document. Customers are advised to check with Decawave for the most recent updates on this product.

Copyright © 2016 Decawave Ltd

## LIFE SUPPORT POLICY

Decawave products are not authorized for use in safety-critical applications (such as life support) where a failure of the Decawave product would reasonably be expected to cause severe personal injury or death. Decawave customers using or selling Decawave products in such a manner do so entirely at their own risk and agree to fully indemnify Decawave and its representatives against any damages arising out of the use of Decawave products in such safety-critical applications.



**Caution!** ESD sensitive device. Precaution should be used when handling the device in order to prevent permanent damage.

## REGULATORY APPROVALS

The DWM1000, as supplied from Decawave, has not been certified for use in any particular geographic region by the appropriate regulatory body governing radio emissions in that region although it is capable of such certification depending on the region and the manner in which it is used.

All products developed by the user incorporating the DWM1000 must be approved by the relevant authority governing radio emissions in any given jurisdiction prior to the marketing or sale of such products in that jurisdiction and user bears all responsibility for obtaining such approval as needed from the appropriate authorities.

# 1 OVERVIEW

The DWM1000 module is an IEEE 802.15.4-2011 UWB implementation. RF components, Decawave DW1000 UWB transceiver, and other components reside on-module. DWM1000 enables cost effective and reduced complexity integration of UWB communications and ranging features, greatly accelerating design implementation.

## 1.1 DWM1000 Functional Description

The DW1000 on board the DWM1000 is a fully integrated low-power, single chip CMOS RF transceiver IC compliant with the IEEE 802.15.4-2011 [1] UWB standard. The DWM1000 module requires no RF design as the antenna and associated analog and RF components are on the module.

The module contains an on-board 38.4 MHz reference crystal. The crystal has been trimmed in production to reduce the initial frequency error to approximately 2 ppm, using the DW1000 IC's internal on-chip crystal trimming circuit, see section 2.1.1.

Always-On (AON) memory can be used to retain DWM1000 configuration data during the lowest power operational states when the on-chip voltage regulators are disabled. This data is uploaded and downloaded automatically. Use of DWM1000 AON memory is configurable.

The on-chip voltage and temperature monitors allow the host to read the voltage on the VDDAON pin and the internal die temperature information from the DW1000.

See the DW1000 Datasheet [2] for more detailed information on device functionality, electrical specifications and typical performance.

## 1.2 DWM1000 Power Up

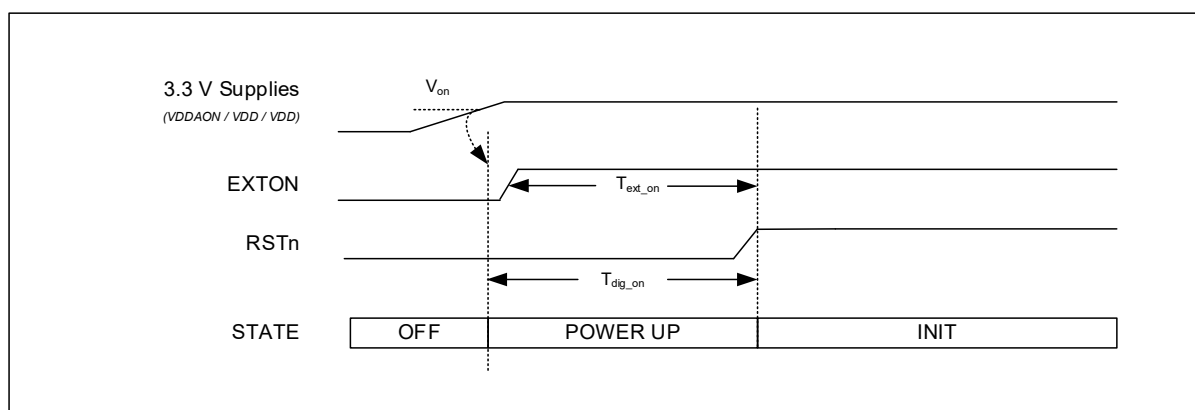


Figure 1: DWM1000 Power-up Sequence

When power is applied to the DWM1000, RSTn is driven low by internal circuitry as part of its power up sequence. See Figure 1 above. RSTn remains low until the on-module crystal oscillator has powered up and its output is suitable for use by the rest of the device, at which time RSTn is deasserted high.

Table 1: DW1000 Power-up Timings

Parameter	Description	Nominal Value	Units
$V_{ON}$	Voltage threshold to enable power up	2.0	V
$T_{EXT\_ON}$	Time at which EXTON goes high before RSTn is released	3	ms
$T_{DIG\_ON}$	RSTn held low by internal reset circuit / driven low by external reset circuit	3	ms

RSTn may be used as an output to reset external circuitry as part of system bring-up as power is applied.

An external circuit can reset the DWM1000 by asserting RSTn for a minimum of 10 ns. RSTn is an asynchronous input. DW1000 initialization will proceed when the pin is released to high impedance. **RSTn should never be driven high by an external source.**

Please see DW1000 Datasheet [2] for more details of DW1000 power up.

### 1.3 SPI Host Interface

The DW1000 host communications interface is a slave-only SPI. Both clock polarities (SPIPOL=0/1) and phases (SPIPHA=0/1) are supported. The data transfer protocol supports single and multiple byte read/writes accesses. All bytes are transferred MSB first and LSB last. A transfer is initiated by asserting SPICSn low and terminated when SPICSn is deasserted high.

See the DW1000 Datasheet [2] for full details of the SPI interface operation and mode configuration for clock phase and polarity.

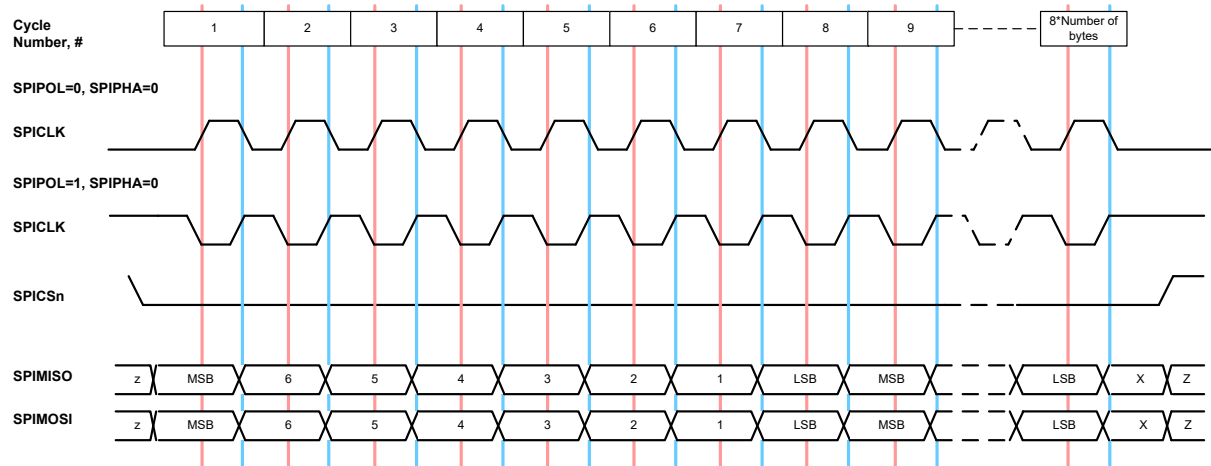


Figure 2: DW1000 SPIPHA=0 Transfer Protocol

#### 1.3.1 SPI Signal Timing

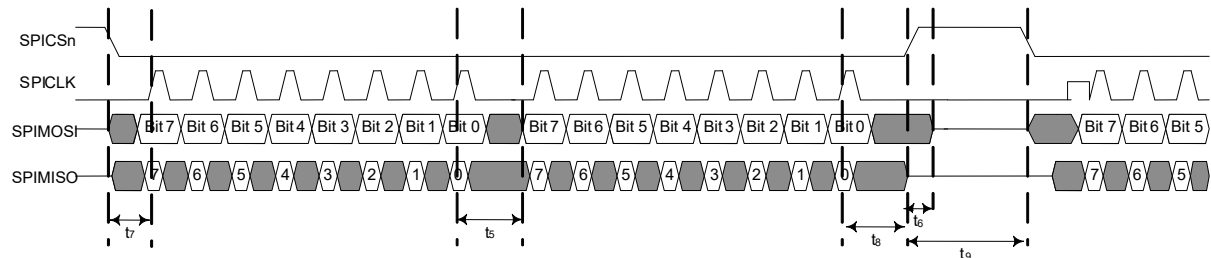


Figure 3: DWM1000 SPI Timing Diagram

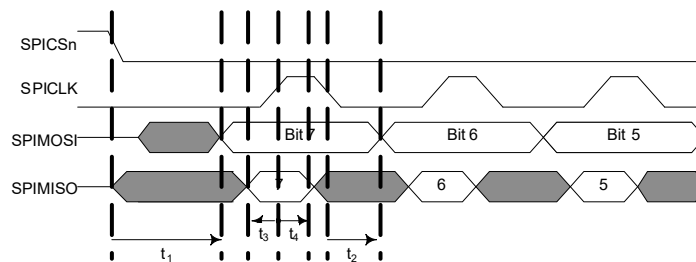


Figure 4: DWM1000 SPI Detailed Timing Diagram

Table 2: DWM1000 SPI Timing Parameters

Parameter	Min	Typ	Max	Unit	Description
SPICLK Period	50			ns	The maximum SPI frequency is 20 MHz when the CLKPLL is locked, otherwise the maximum SPI frequency is 3 MHz.
t <sub>1</sub>			38	ns	SPICSn select asserted low to valid slave output data
t <sub>2</sub>	12			ns	SPICLK low to valid slave output data

Parameter	Min	Typ	Max	Unit	Description
$t_3$	10			ns	Master data setup time
$t_4$	10			ns	Master data hold time
$t_5$	32			ns	LSB last byte to MSB next byte
$t_6$			10	ns	SPICSn de-asserted high to SPIMISO tri-state
$t_7$	16			ns	Start time; time from select asserted to first SPICLK
$t_8$	40			ns	Idle time between consecutive accesses
$t_9$	40			ns	Last SPICLK to SPICSn de-asserted

## 1.4 General Purpose Input Output (GPIO)

The DWM1000 provides 8 configurable pins.

On reset, all GPIO pins default to input. GPIO inputs, when appropriately configured, are capable of generating interrupts to the host processor via the IRQ signal.

GPIO0, 1, 2, & 3, as one of their optional functions, can drive LEDs to indicate the status of various chip operations. Any GPIO line being used to drive an LED in this way should be connected as shown. GPIO5 & 6 are used to configure the operating mode of the SPI as described in the DW1000 Datasheet [2].

See DW1000 Datasheet [2] and DW1000 User Manual [3] provide full details of the configuration and use of the GPIO lines.

## 1.5 Always-On (AON) Memory

Configuration retention in lowest power states is enabled in DWM1000 by provision of an Always-On (AON) memory array with a separate power supply, VDDAON. The DWM1000 may be configured to upload its configuration to AON before entering a low-power state and to download the configuration when waking up from the low –power state.

## 1.6 One-Time Programmable (OTP) Memory

The DWM1000 contains a 56x32 -bit user programmable OTP memory on the DW1000 device that is used to store per chip calibration information.

## 1.7 Interrupts and Device Status

DWM1000 has a number of interrupt events that can be configured to drive the IRQ output pin. The default IRQ pin polarity is active high. A number of status registers are provided in the system to monitor and report data of interest. See DW1000 User Manual [3] for a full description of system interrupts and their configuration and of status registers.

## 1.8 MAC

A number of MAC features are implemented including CRC generation, CRC checking and receive frame filtering. See the DW1000 Datasheet [2] and DW1000 User Manual [3] for full details.

## 2 DWM1000 CALIBRATION

Depending on the end-use applications and the system design, DWM1000 settings may need to be tuned. To help with this tuning a number of built in functions such as continuous wave TX and continuous packet transmission can be enabled. See the DW1000 User Manual [3] for further details.

### 2.1.1 Crystal Oscillator Trim

DWM1000 modules are calibrated at production to minimise initial frequency error to reduce carrier frequency offset between modules and thus improve receiver sensitivity. The calibration carried out at module production will trim the initial frequency offset to less than 2 ppm, typically.

### 2.1.2 Transmitter Calibration

In order to maximise range, DWM1000 transmit power spectral density (PSD) should be set to the maximum allowable for the geographic region in which it will be used. For most regions this is -41.3 dBm/MHz.

As the module contains an integrated antenna, the transmit power can only be measured over the air. The Effective Isotropic Radiated Power (EIRP) must be measured and the power level adjusted to ensure compliance with applicable regulations.

The DWM1000 provides the facility to adjust the transmit power in coarse and fine steps; 3 dB and 0.5 dB nominally. It also provides the ability to adjust the spectral bandwidth. These adjustments can be used to maximise transmit power whilst meeting regulatory spectral mask.

If required, transmit calibration should be carried out on a per DWM1000 module basis, see DW1000 User Manual [3] for full details.<sup>1</sup>

### 2.1.3 Antenna Delay Calibration

In order to measure range accurately, precise calculation of timestamps is required. To do this the antenna delay must be known. The DWM1000 allows this delay to be calibrated and provides the facility to compensate for delays introduced by PCB, external components, antenna and internal DWM1000 delays.

To calibrate the antenna delay, range is measured at a known distance using two DWM1000 systems. Antenna delay is adjusted until the known distance and reported range agree. The antenna delay can be stored in OTP memory.

Antenna delay calibration must be carried out as a once off measurement for each DWM1000 design implementation. If required, for greater accuracy, antenna delay calibration should be carried out on a per DWM1000 module basis, see DW1000 User Manual [3] for full details.

---

<sup>1</sup>To achieve best results when using the DWM1000 with Decawave's DecaRanging software, you will need to adjust the default transmit power value programmed into the DWM1000 by the software. This is because DecaRanging software is targeted at Decawave's EVB1000 evaluation board which has a different RF path compared to the DWM1000. You should increase the transmit power by approximately 3 dB.



## 3 DWM1000 PIN CONNECTIONS

### 3.1 Pin Numbering

DWM1000 module pin assignments are as follows (viewed from top): -

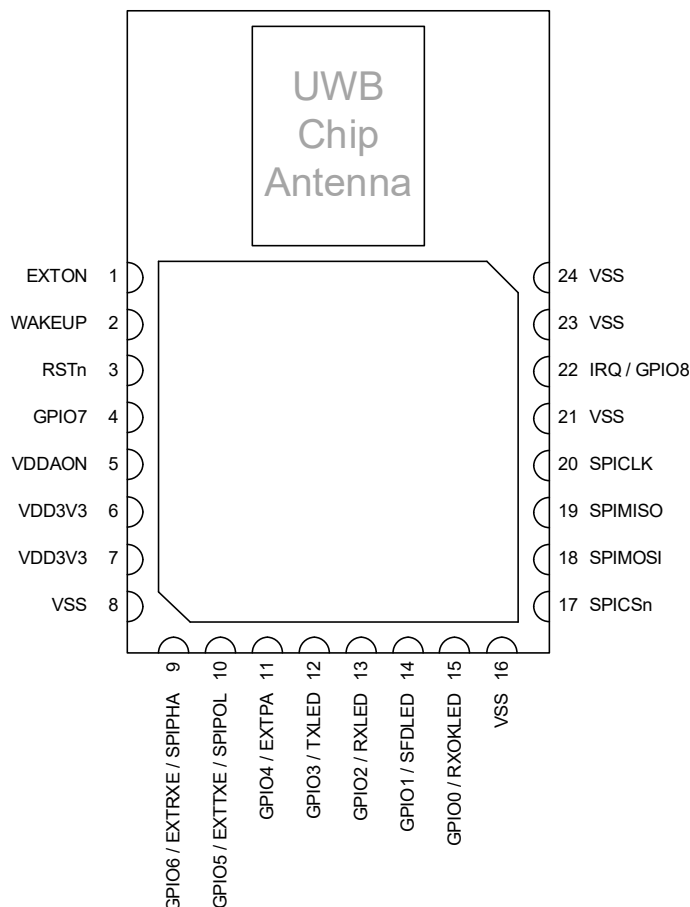


Figure 5: DWM1000 Pin Diagram

### 3.2 Pin Descriptions

Table 3: DWM1000 Pin functions

SIGNAL NAME	PIN	I/O (Default)	DESCRIPTION
<b>Digital Interface</b>			
SPICLK	20	DI	SPI clock
SPIMISO	19	DO (O-L)	SPI data output. Refer to DW1000 Datasheet for more details [2].
SPIMOSI	18	DI	SPI data input. Refer to DW1000 Datasheet for more details [2].
SPICSn	17	DI	SPI chip select. This is an active low enable input. The high-to-low transition on SPICSn signals the start of a new SPI transaction. SPICSn can also act as a wake-up signal to bring DW1000 out of either SLEEP or DEEPSLEEP states Refer to DW1000 Datasheet for more details [2].
WAKEUP	2	DIO	When asserted into its active high state, the WAKEUP pin brings the DW1000 out of SLEEP or DEEPSLEEP states into operational mode. If unused, this pin can be tied to ground.

SIGNAL NAME	PIN	I/O (Default)	DESCRIPTION
EXTON	1	DO (O-L)	External device enable. Asserted during wake up process and held active until device enters sleep mode. Can be used to control external DC-DC converters or other circuits that are not required when the device is in sleep mode so as to minimize power consumption. Refer to DW1000 Datasheet for more details [2].
IRQ / GPIO8	22	DIO (O-L)	Interrupt Request output from the DWM1000 to the host processor. By default IRQ is an active-high output but may be configured to be active low if required. For correct operation in SLEEP and DEEPSLEEP modes it should be configured for active high operation. This pin will float in SLEEP and DEEPSLEEP states and may cause spurious interrupts unless pulled low. When the IRQ functionality is not being used the pin may be reconfigured as a general purpose I/O line, GPIO8.
GPIO7	4	DIO (I)	Defaults to operate as a SYNC input – refer [2]. THIS FUNCTIONALITY IS NOT APPLICABLE TO THE DWM1000. This pin may be reconfigured as a general purpose I/O pin, GPIO7 under software control.
GPIO6 / SPIPHA	9	DIO (I)	General purpose I/O pin. On power-up it acts as the SPIPHA (SPI phase selection) pin for configuring the SPI mode of operation. Refer to Section 5.2.2 and the DW1000 Datasheet for more details [2]. After power-up, the pin will default to a General Purpose I/O pin.
GPIO5 / SPIPOL	10	DIO (I)	General purpose I/O pin. On power-up it acts as the SPIPOL (SPI polarity selection) pin for configuring the SPI operation mode. Refer to Section 5.2.2 and the DW1000 Datasheet for more details [2]. After power-up, the pin will default to a General Purpose I/O pin.
GPIO4	11	DIO (I)	General purpose I/O pin.
GPIO3 / TXLED	12	DIO (I)	General purpose I/O pin. It may be configured for use as a TXLED driving pin that can be used to light a LED following a transmission. Refer to the DW1000 User Manual [2] for details of LED use.
GPIO2 / RXLED	13	DIO (I)	General purpose I/O pin. It may be configured for use as a RXLED driving pin that can be used to light a LED during receive mode. Refer to the DW1000 User Manual [2] for details of LED use.
GPIO1 / SFDLED	14	DIO (I)	General purpose I/O pin. It may be configured for use as a SFDLED driving pin that can be used to light a LED when SFD (Start Frame Delimiter) is found by the receiver. Refer to the DW1000 User Manual [2] for details of LED use.
GPIO0 / RXOKLED	15	DIO (I)	General purpose I/O pin. It may be configured for use as a RXOKLED driving pin that can be used to light a LED on reception of a good frame. Refer to the DW1000 User Manual [2] for details of LED use.
RSTn	3	DIO (O-H)	Reset pin. Active Low Output. May be pulled low by external open drain driver to reset the DW1000. Refer to DW1000 Datasheet for more details [2].
Power Supplies			
VDDAON	5	P	External supply for the Always-On (AON) portion of the chip.
VDD3V3	6,7	P	3.3 V supply pins. Note that for programming the OTP in the DWM1000 module this voltage may be increased to a nominal value of 3.8 V for short periods.

SIGNAL NAME	PIN	I/O (Default)	DESCRIPTION
<b>Ground</b>			
GND	8,16, 21,23,24	G	Common ground.

Table 4: Explanation of Abbreviations

ABBREVIATION	EXPLANATION
I	Input
IO	Input / Output
O	Output
G	Ground
P	Power Supply
PD	Power Decoupling
O-L	Defaults to output, low level after reset
O-H	Defaults to output, high level after reset
I	Defaults to input.

*Note: Any signal with the suffix 'n' indicates an active low signal.*

## 4 ELECTRICAL SPECIFICATIONS

### 4.1 Nominal Operating Conditions

Table 5: DWM1000 Operating Conditions

Parameter	Min.	Typ.	Max.	Units	Condition/Note
Operating temperature	-40		+85	°C	
Supply voltage VDDAON, VDD3V3	2.8	3.3	3.6	V	Normal operation
Supply voltage VDD3V3 for programming OTP	3.7	3.8	3.9	V	Note that for programming the OTP in the DWM1000 the VDD3V3 voltage must be increased to 3.8 V nominal for short periods.
Voltage on GPIO0..7, WAKEUP, RSTn, SPICSn, SPIMOSI, SPICLK			3.6	V	Note that 3.6 V is the max voltage that may be applied to these pins

Note: Unit operation is guaranteed by design when operating within these ranges

### 4.2 DC Characteristics

$T_{amb} = 25\text{ }^{\circ}\text{C}$ , all supplies centred on typical values

Table 6: DWM1000 DC Characteristics

Parameter	Min.	Typ.	Max.	Units	Condition/Note
Supply current DEEP SLEEP mode		200		nA	Total current drawn from all supplies.
Supply current SLEEP mode		550		nA	
Supply current IDLE mode		13.4		mA	
Supply current INIT mode		3.5		mA	
TX : 3.3 V supplies (VDDAON, VDD)			140	mA	Channel 5:TX Power: 9.3 dBm/500 MHz
RX : 3.3 V supplies (VDDAON, VDD)			160	mA	Channel 5
Digital input voltage high	0.7*VDD			V	
Digital input voltage low			0.3*VDD	V	
Digital output voltage high	0.7*VDD			V	Assumes 500 $\Omega$ load
Digital output voltage low			0.3*VDD	V	Assumes 500 $\Omega$ load
Digital Output Drive Current GPIOx, IRQ SPIMISO EXTON	4 8 3	6 10 4		mA	

### 4.3 Receiver AC Characteristics

$T_{amb} = 25\text{ }^{\circ}\text{C}$ , all supplies centred on nominal values

Table 7: DWM1000 Receiver AC Characteristics

Parameter	Min.	Typ.	Max.	Units	Condition/Note
Frequency range	3244		6999	MHz	
Channel bandwidth		500		MHz	Channel 1,2,3 and 5
In-band blocking level		30		dBc	Continuous wave interferer
Out-of-band blocking level		55		dBc	Continuous wave interferer

## 4.4 Receiver Sensitivity Characteristics

$T_{amb} = 25\text{ }^{\circ}\text{C}$ , all supplies centred on typical values. 20 byte payload. These sensitivity figures assume an antenna gain of 0 dBi and should be modified by the antenna characteristics quoted in Table 12 depending on the orientation of the DWM1000.

Table 8: DWM1000 Typical Receiver Sensitivity Characteristics

Packet Error Rate	Data Rate	Receiver Sensitivity	Units	Condition/Note		
1%	110 kbps	-102	dBm/500 MHz	Preamble 2048	Carrier frequency offset $\pm 10$ ppm	All measurements performed on Channel 5, PRF 16 MHz Channel 2 is approximately 1 dB less sensitive
	850 kbps	-101	dBm/500 MHz	Preamble 1024		
	6.8 Mbps	-93	dBm/500 MHz	Preamble 256		
10%	110 kbps	-106	dBm/500 MHz	Preamble 2048		
	850 kbps	-102	dBm/500 MHz	Preamble 1024		
	6.8 Mbps	-94	dBm/500 MHz	Preamble 256		

## 4.5 Reference Clock AC Characteristics

$T_{amb} = 25\text{ }^{\circ}\text{C}$ , all supplies centred on typical values

### 4.5.1 Reference Frequency

Table 9: DWM1000 Reference Clock AC Characteristics

Parameter	Min.	Typ.	Max.	Units	Condition/Note
On-board crystal oscillator reference frequency		38.4		MHz	
On-board crystal trimming range		$\pm 25$		ppm	Internally trimmed to $\pm 2$ ppm under typical conditions.
On-board crystal frequency stability with temperature			$\pm 30^*$	ppm ppm	$-40^{\circ}\text{C}$ to $+85^{\circ}$
On-board crystal aging			$\pm 3$	ppm/3year	@ $25^{\circ}\text{C} \pm 2^{\circ}\text{C}$
Low Power RC Oscillator	5	12	15	kHz	

\*By using the temperature monitoring capability of the DW1000 chip on the DWM1000 module it is possible to dynamically trim the crystal during run time to maintain the  $\pm 2$  ppm specification over the full temperature range of operation.

## 4.6 Transmitter AC Characteristics

$T_{amb} = 25\text{ }^{\circ}\text{C}$ , all supplies centred on typical values

Table 10: DWM1000 Transmitter AC Characteristics

Parameter	Min.	Typ.	Max.	Units	Condition/Note
Frequency range	3244		6999	MHz	
Channel Bandwidths		500		MHz	Channel 1, 2, 3 and 5
Output power spectral density (programmable)		-39	-35	dBm/MHz	See DW1000 Datasheet [2]
Power level range		37		dB	
Coarse Power level step		3		dB	
Fine Power level step		0.5		dB	
Output power variation with temperature		0.05		dB/ $^{\circ}\text{C}$	
Output power variation with voltage		2.73 3.34		dB/V	Channel 2 Channel 5

## 4.7 Temperature and Voltage Monitor Characteristics

Table 11: DWM1000 Temperature and Voltage Monitor Characteristics

Parameter	Min.	Typ.	Max.	Units	Condition/Note
Voltage Monitor Range	2.4		3.75	V	
Voltage Monitor Precision		20		mV	
Voltage Monitor Accuracy		140		mV	
Temperature Monitor Range	-40		+100	°C	
Temperature Monitor Precision		0.9		°C	

## 4.8 Antenna Performance

The antenna used in the module is the Partron dielectric chip antenna, part number ACS5200HFAUWB, see [4] for full details.

Antenna radiation patterns, measured in an anechoic chamber for three planes, are shown in Figure 7. As the antenna is linearly polarised, in the Azimuth plane the vertically polarised field (Theta) is measured and the horizontally polarised field (Phi) is measured for elevation planes 1 and 2.

For these measurements, the DWM1000 module is mounted on a circuit board with dimensions shown in Figure 6.

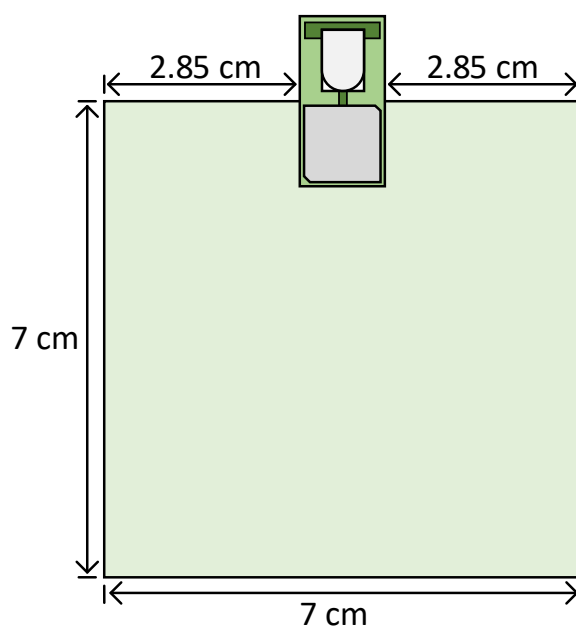


Figure 6. DWM1000 Circuit Board Mounting

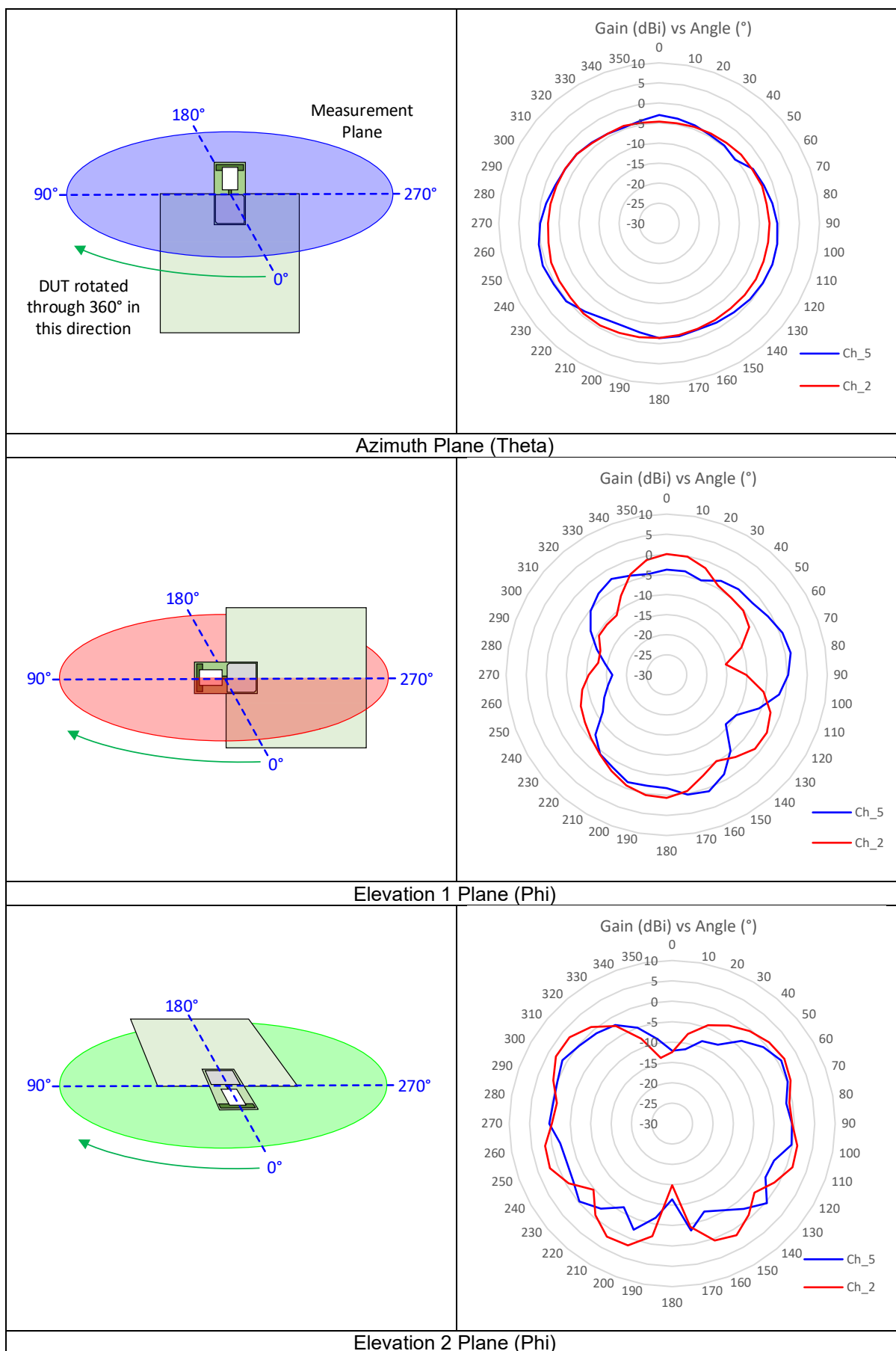


Figure 7. Measured Antenna Radiation Patterns

## 4.9 Absolute Maximum Ratings

Table 12: DWM1000 Absolute Maximum Ratings

Parameter	Min.	Max.	Units
Voltage VDD3V3 / VDDAON	-0.3	4.0	V
Receiver Power		0	dBm
Temperature - Storage temperature	-40	+85	°C
Temperature – Operating temperature	-40	+85	°C
ESD (Human Body Model)		2000	V

Stresses beyond those listed in this table may cause permanent damage to the device. This is a stress rating only; functional operation of the device at these or any other conditions beyond those indicated in the operating conditions of the specification is not implied. Exposure to the absolute maximum rating conditions for extended periods may affect device reliability.



## 5 APPLICATION INFORMATION

### 5.1 Application Board Layout Guidelines

When designing the PCB onto which DWM1000 will be soldered, the proximity of the DWM1000 on-board ceramic monopole antenna to metal and other non-RF transparent materials needs to be considered carefully. Two suggested placement schemes are shown below.

**For best RF performance, ground copper should be flooded in all areas of the application board, except in the areas marked “Keep-Out Area”, where there should be no metal either side, above or below (e.g. do not place battery under antenna).**

The placement schemes in Figure 8 show an application board with no non-RF transparent material in the keep-out area, or an application board with the antenna projecting off of the board so that the keep out area is in free-space. In this second scheme it is still important not to place metal components above or below the antenna in a system implementation. It is also important to note that the ground plane on the application board affects the DWM1000 antenna radiation pattern. In Figure 8 below,  $d$  must be a minimum of 10 mm. This gives the most vertically polarized radiation pattern. As  $d$  is increased from 10 mm the degree of vertical polarization reduces.

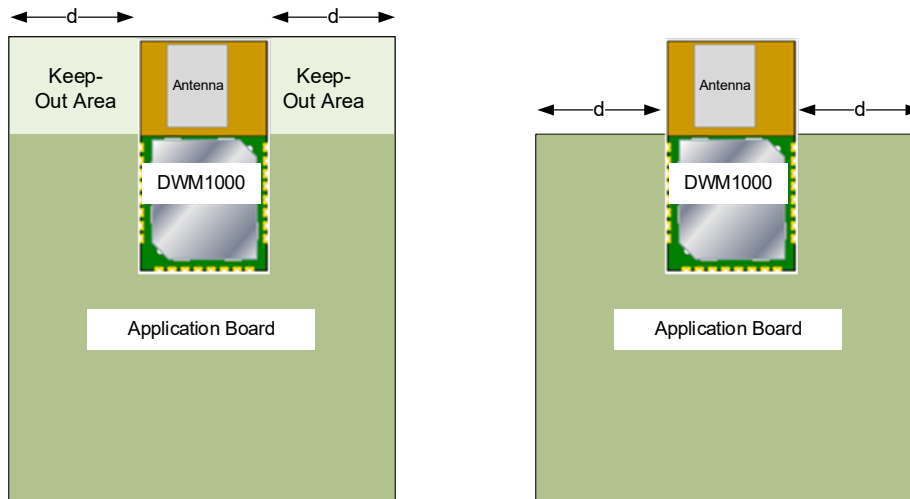


Figure 8: DWM1000 Application Board Keep-Out Areas

### 5.2 Application Circuit Diagram

A simple application circuit integrating the DWM1000 module need only power the device and connect the device to a host controller, see Figure 9.

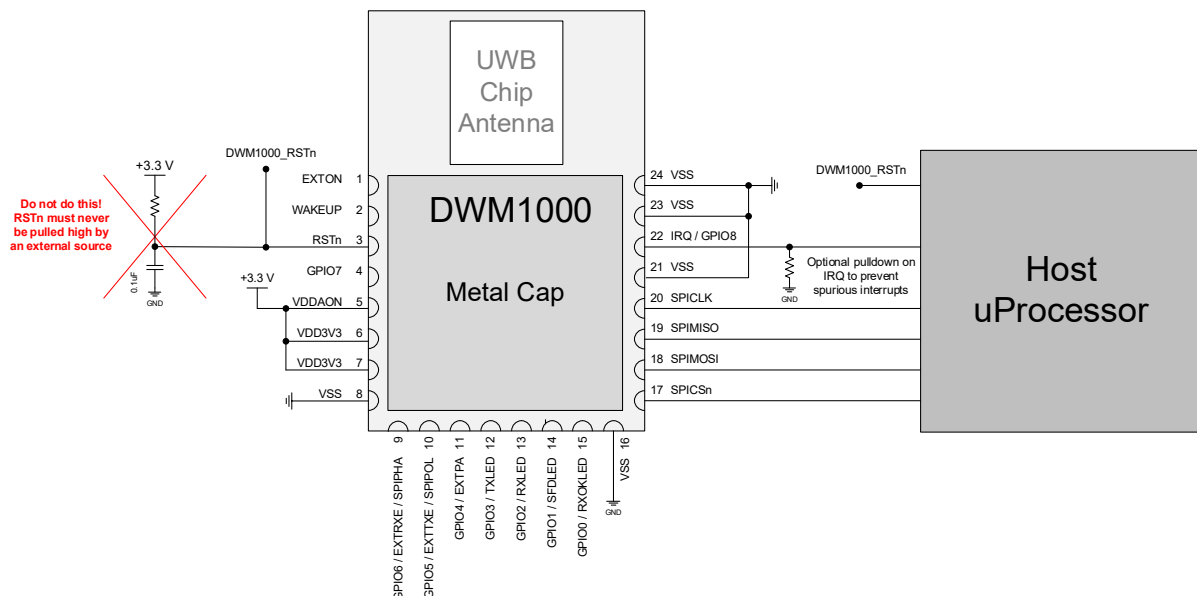


Figure 9: Example DWM1000 Application Circuit

### 5.2.1 SPI Bus

The SPI signal bus and mode configuration pins may need to be treated carefully if it is desirable to connect additional SPI devices to the SPI bus, or to configure the SPI for a non-default clock polarity or phase behaviour. Please see the DW1000 Datasheet [2] for a description of all SPI clock polarity and phase configurations, referred to as SPI modes.

The SPIMISO line may be connected to multiple slave SPI devices each of which is required to go open-drain when their respective SPICSn lines are de-asserted.

The DW1000 has internal pull up and pull down circuits to ensure safe operation in the event of the host interface signals being disconnected. These are for internal use only, and should not be used to pull an external signal high or low.

Internal pull-down resistance values are in the range 34 kΩ – 90 kΩ, internal pull-up resistance values are in the range 40 kΩ - 90 kΩ.

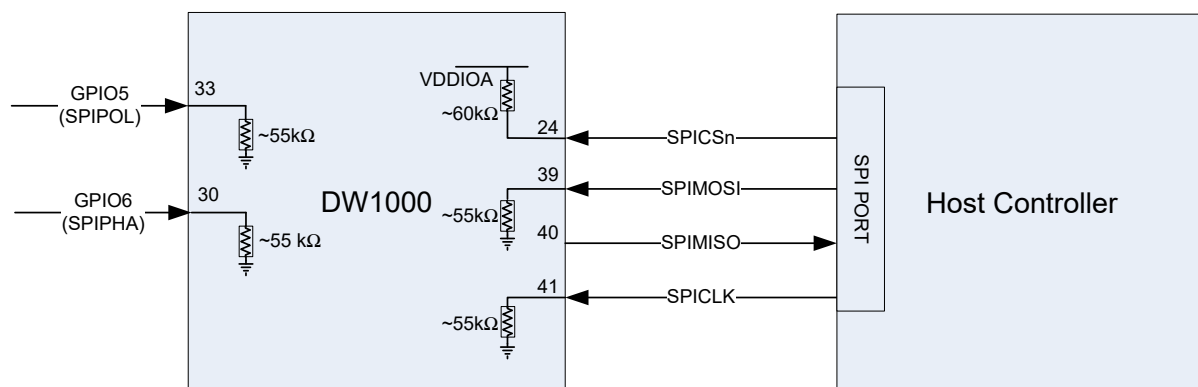


Figure 10: SPI Bus Connections

### 5.2.2 Configuring the SPI Mode

The SPI interface supports a number of different clock polarity and clock / data phase modes of operation. These modes are selected using GPIO5 & 6 as follows: -

Table 13: DW1000 SPI Mode Configuration

GPIO 5 (SPIPOL)	GPIO 6 (SPIPHA)	SPI Mode	Description (from the master / host point of view)
0	0	0	Data is sampled on the rising (first) edge of the clock and launched on the falling (second) edge.
0	1	1	Data is sampled on the falling (second) edge of the clock and launched on the rising (first) edge.
1	0	2	Data is sampled on the falling (first) edge of the clock and launched on the rising (second) edge.
1	1	3	Data is sampled on the rising (second) edge of the clock and launched on the falling (first) edge.

*Note: The 0 on the GPIO pins can either be open circuit or a pull down to ground. The 1 on the GPIO pins is a pull up to VDDIO.*

GPIO 5 / 6 are sampled / latched on the rising edge of the RSTn pin to determine the SPI mode. They are internally pulled low to configure a default SPI mode 0 without the use of external components. If a mode other than 0 is required then they should be pulled up using an external resistor of value no greater than 10 kΩ to the VDDIO output supply.

If GPIO5 / 6 are also being used to control an external transmit / receive switch then external pull-up resistors of no less than 1 kΩ should be used so that the DW1000 can correctly drive these outputs in normal operation after the reset sequence / SPI configuration operation is complete.

The recommended range of resistance values to pull-up GPIO 5 / 6 is in the range of 1-10 kΩ. If it is required to pull-down GPIO 5 / 6, such as in the case where the signal is also pulled high at the input to an external IC, the resistor value chosen needs to take account of the DW1000 internal pull-down resistor values as well as those of

any connected external pull-up resistors.

Refer to the DW1000 Data Sheet [2] and the DW1000 User Manual [3] for further details.

### 5.2.3 Powering down the DWM1000

The DWM1000 has a very low DEEPSLEEP current (typ. 200 nA – see Table 6). The recommended practise is to keep the DWM1000 powered up and use DEEPSLEEP mode when the device is inactive.

In situations where the DWM1000 must be power-cycled (the +3.3V supply in figure 10 turned off and then back on) it is important to note that when power is removed the supply voltage will decay towards 0V at a rate determined by the characteristics of the power source and the amount of decoupling capacitance in the system.

In this scenario, power should only be reapplied to the DWM1000 when: -

- VDDAON is above 2.3 V or:
- VDDAON has fallen below 100 mV

Reapplying power while VDDAON is between 100mV and 2.3V can lead to the DWM1000 powering up in an unknown state which can only be recovered by fully powering down the device until the voltage on VDDAON falls below 100 mV.

## 6 PACKAGE INFORMATION

The DWM1000 V2 was introduced to the market in July 2020, replacing the previous DWM1000 V1 part which will no longer be produced. For more information on the changes from V1 to V2, see the product change notice - [PCN019](#).

### 6.1 Module Drawings

All measurements are given in millimetres.

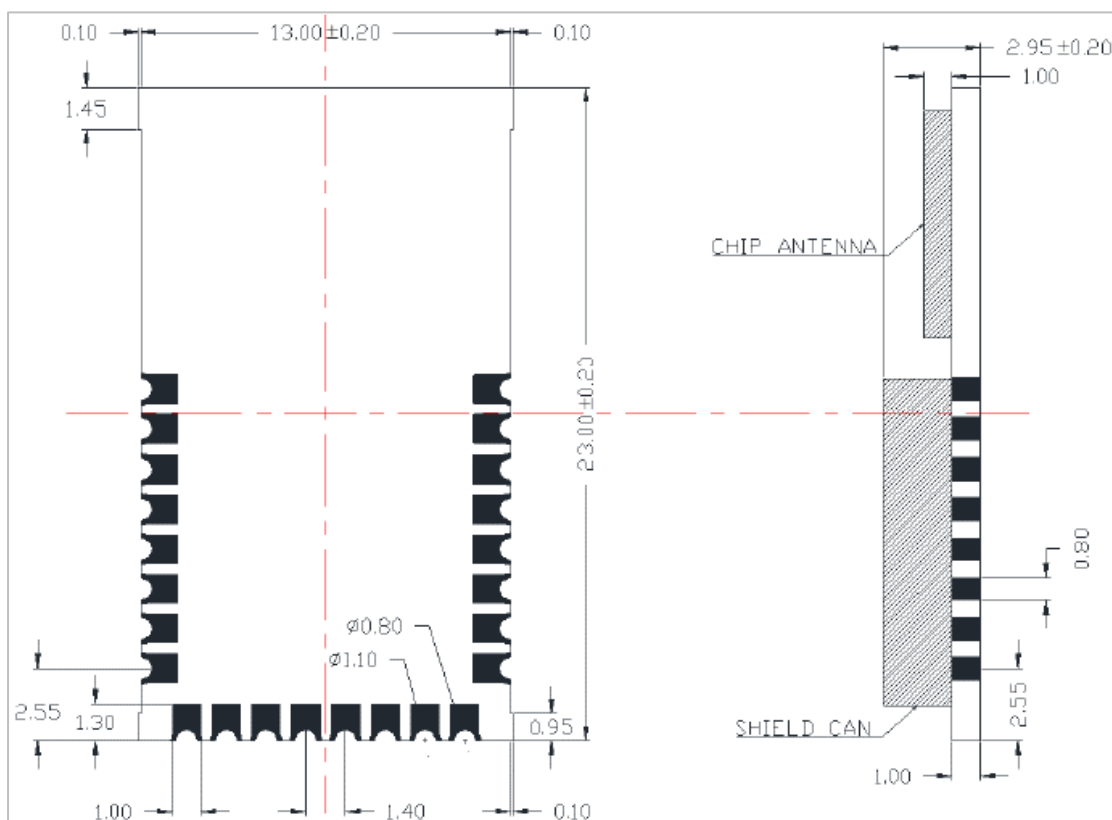


Figure 11: Module Package Size (units: mm)

### 6.2 Module Land Pattern

The diagram below shows the DWM1000 module land pattern.

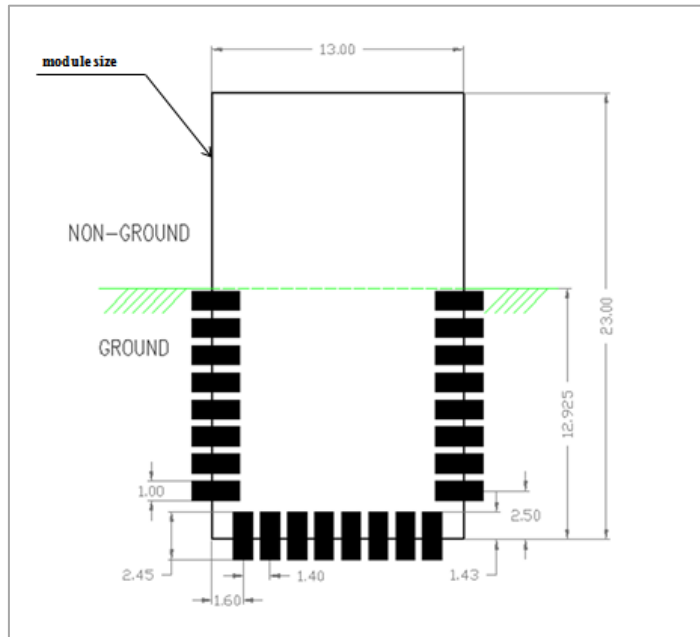


Figure 12: DWM1000 Module Land Pattern (units: mm)

Table 14: Module weight

Parameter	Min	Typ	Max	Units
Unit weight		1.4		g

### 6.3 DWM1000 V1 Module Marking Information

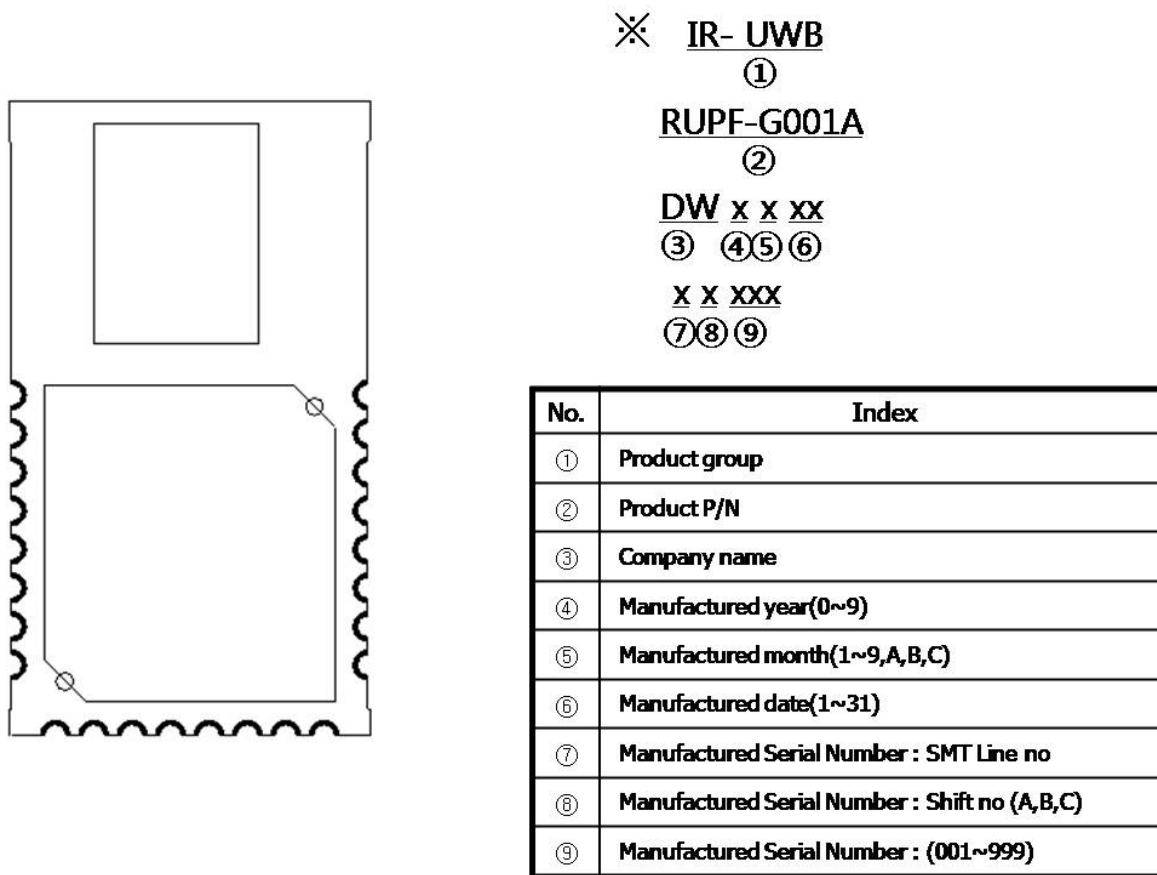


Figure 13: DWM1000 V1 Module Marking Information

### 6.4 DWM1000 V2 Module Marking Information

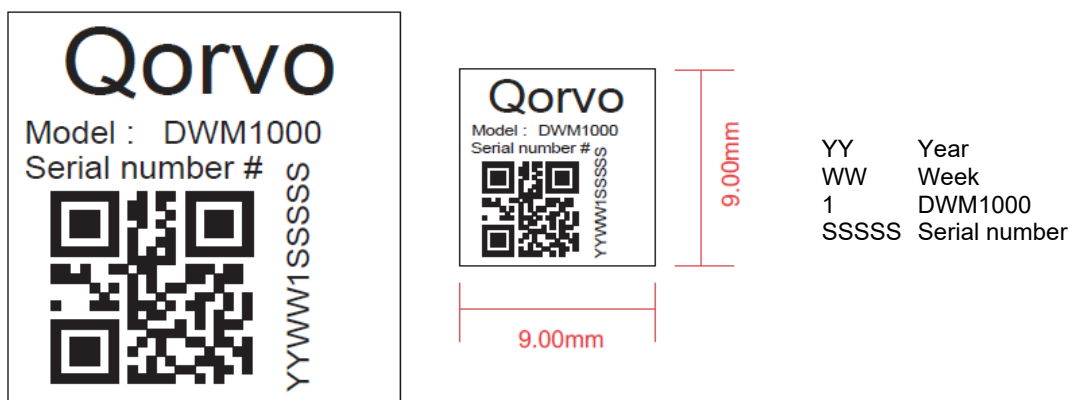


Figure 14: DWM1000 V2 Module Marking Information

### 6.5 Module Solder Profile

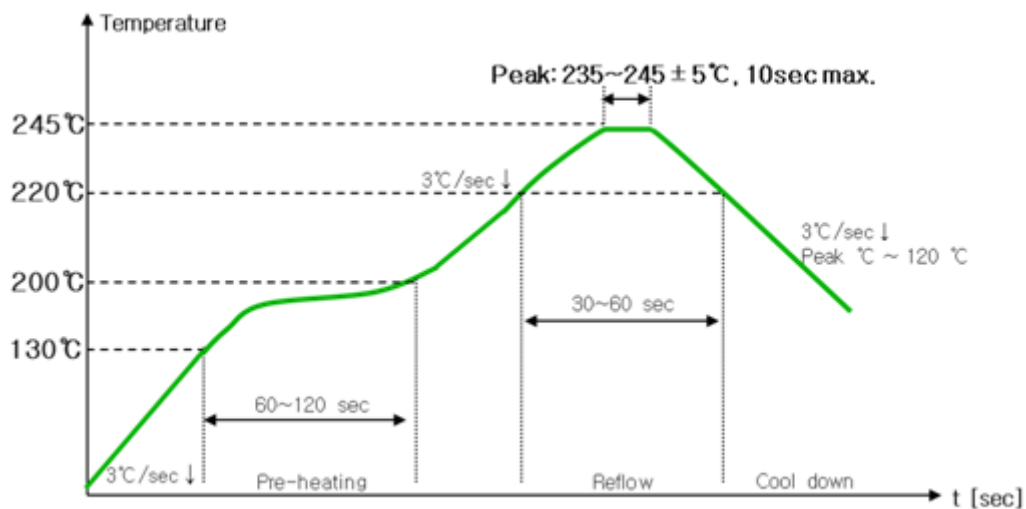
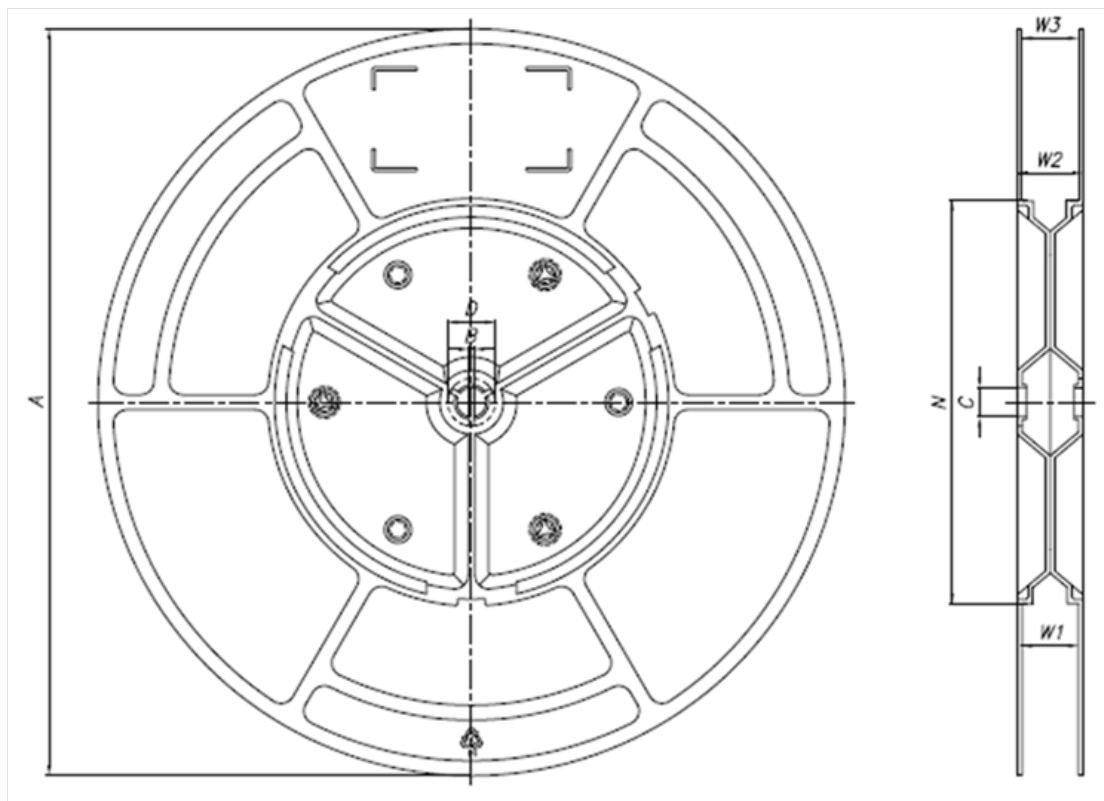


Figure 15: DWM1000 Module Solder Profile

## 7 ORDERING INFORMATION

### 7.1 Tape and Reel Information for DWM1000 V1



ITEM	Length	Tolerance
A	330	±2
B	Min. 1.5	
C	13	±0.5
D	Min. 20.2	
W1	44.4	+3/-0
W2	48.4	±2
W3	45.65	±2

<Unit : mm>

Figure 16: DWM1000 V1 Module Carrier Dimension (units: mm)



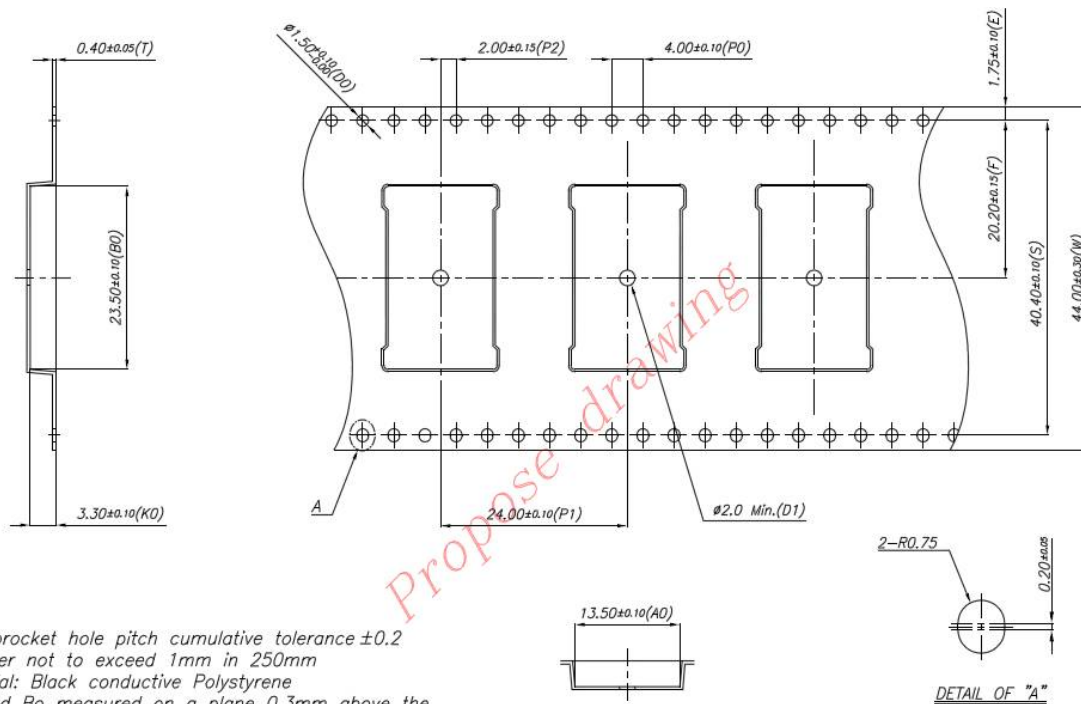


Figure 17: DWM1000 V1 Module Tape Carrier Dimension (units: mm)

7.2 Tape and Reel Information for DWM1000 V2

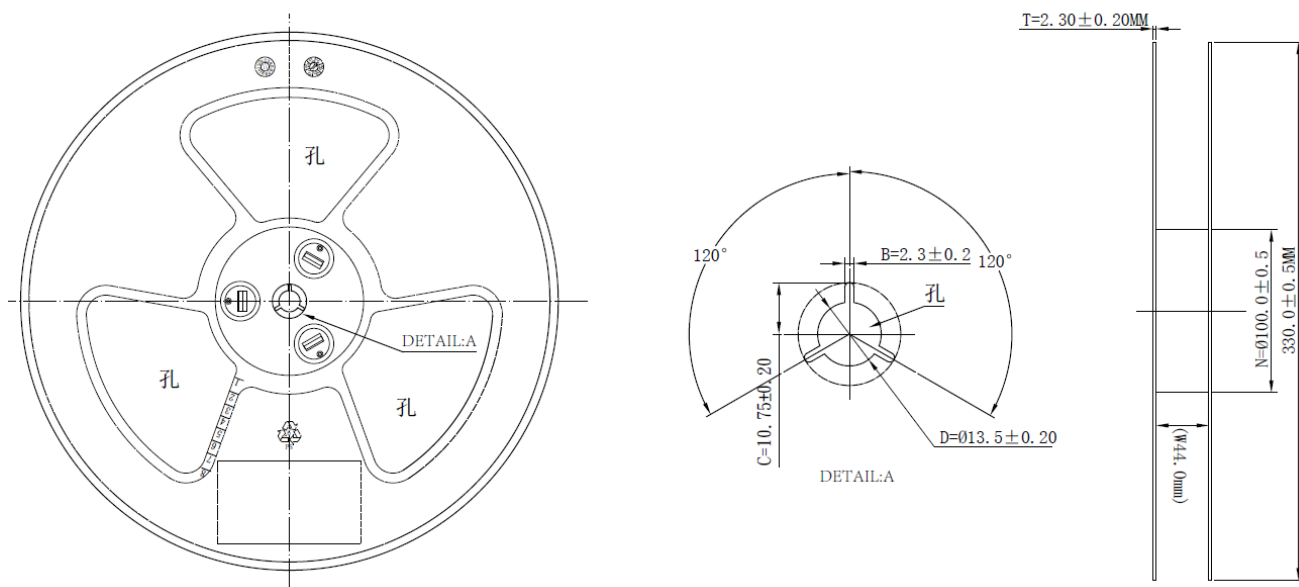


Figure 18: DWM1000 V2 Module Carrier Dimension (units: mm)

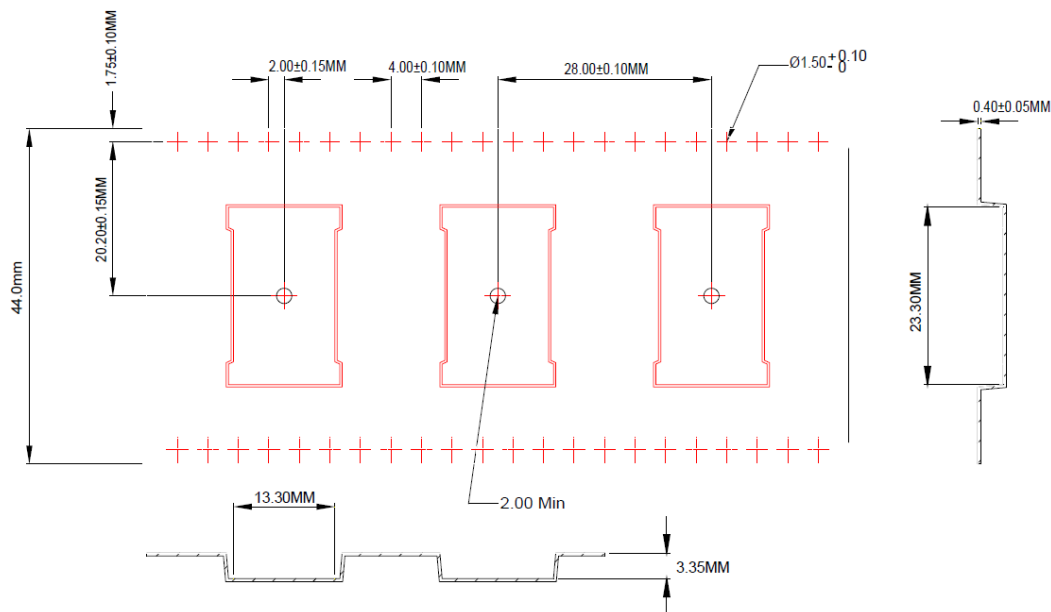


Figure 19: DWM1000 V2 Module Tape Carrier Dimension (units: mm)

### 7.3 DWM1000 Packaging Information

#### 7.3.1 Inner Box V2

Note 1) Recommendation: 72 hours floor time (30 degree C / 60 % RH)

Note 2) Recommendation: The time between opening and chip mount should be within 72 hours

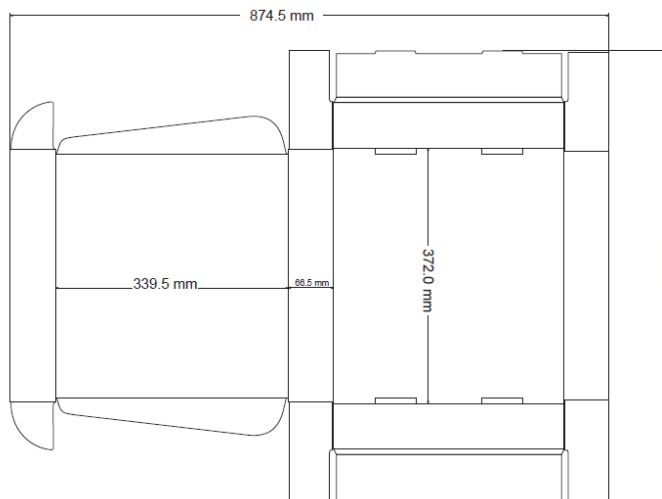


Figure 20: Module Inner Box (units: mm)

#### 7.3.2 Outer Box V2

Each box contents are 2000 x DWM1000 pieces total. In each box there are 4 Inner boxes containing 500 x DWM1000 each.

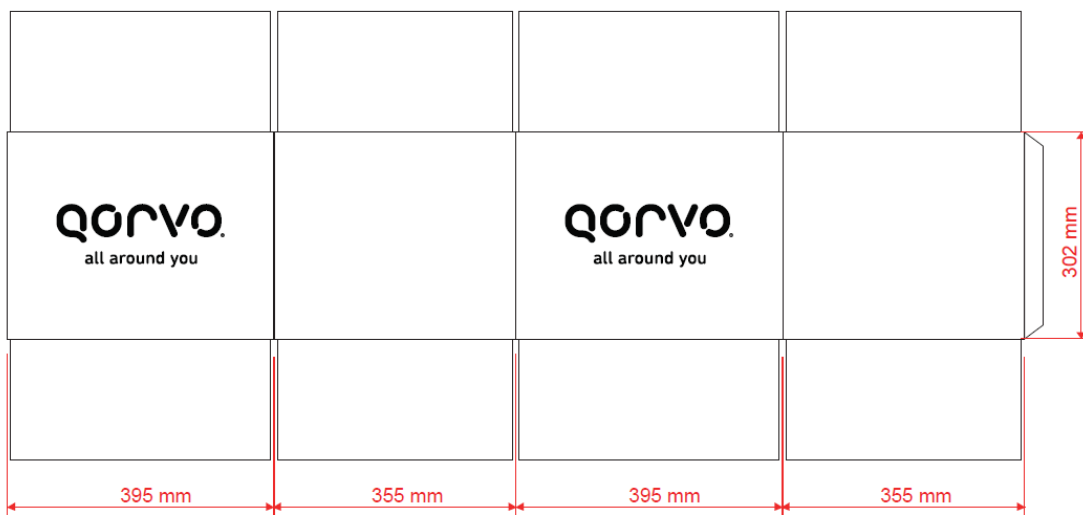


Figure 21: Module Outer Box: (Module Quantity 2000 pieces)

## 8 REGULATORY INFORMATION

### 8.1 European Union requirements

#### 8.1.1 Radio Equipment Directive

The DWM1000 Module has been certified for use in European Union countries. A copy of the EU Declaration of Conformity is available for download on our website.

If these modules are incorporated into a product, the manufacturer must ensure continuing compliance of the final product to the Radio Equipment Directive 2014/53/EU. The manufacturer must then draw up a new written EU Declaration of Conformity as per RED Article 18.

Furthermore, the manufacturer must ensure the final product does not exceed the specified power ratings, antenna specifications, and/or installation requirements as specified in this document. If any of these specifications are exceeded in the final product, the manufacturer must assess whether additional compliance testing is required.

**IMPORTANT:** The “CE” marking must be in compliance with the RED Article 19. It must be affixed to a visible location on the OEM product. The CE mark shall have a height of at least 5mm except where this is not possible on account of the nature of the apparatus. The CE marking must be affixed visibly, legibly, and indelibly.



### 8.1.2 ETSI harmonised standards

The DWM1000 module conforms with the requirements of the following ETSI standards:

Essential requirement	Standard	Notes
Art 3.1(a) – Health and safety	EN 62479 Assessment of the compliance of low-power electronic and electrical equipment with the basic restrictions related to human exposure to electromagnetic fields (10 MHz to 300 GHz) EN62368-1 Audio/video, information and communication technology equipment. Safety requirements	Also see (1).
Art 3.1(b) – EMC	EN 301 489-33 Electromagnetic compatibility (EMC) standard for radio equipment and services; Part 33: Specific conditions for Ultra-WideBand (UWB) devices	Products based on DWM1000 can comply with EN 301 489-33 <sup>(1)</sup> .
Art 3.2 – Spectrum use	EN 302 065-1 Short Range Devices (SRD) using Ultra Wide Band technology (UWB); Harmonised Standard covering the essential requirements of article 3.2 of the Directive 2014/53/EU; Part 1: Requirements for generic UWB applications	Products based on DWM1000 can comply with the EN 302 065 series <sup>(1)</sup> .
Art 3.3 – Delegated acts	N/A	There are currently no delegated acts applicable to UWB products.
<p>(1) Guidance and instructions for manufacturers are available from the application note section on the web-site. <a href="https://www.decawave.com/APR003-Certification-Guide-Europe.pdf">https://www.decawave.com/APR003-Certification-Guide-Europe.pdf</a></p>		

## 9 GLOSSARY

Table 15: Glossary of Terms

Abbreviation	Full Title	Explanation
EIRP	Equivalent Isotropically Radiated Power	The amount of power that a theoretical isotropic antenna (which evenly distributes power in all directions) would emit to produce the peak power density observed in the direction of maximum gain of the antenna being used
ETSI	European Telecommunication Standards Institute	Regulatory body in the EU charged with the management of the radio spectrum and the setting of regulations for devices that use it
FCC	Federal Communications Commission	Regulatory body in the USA charged with the management of the radio spectrum and the setting of regulations for devices that use it
GPIO	General Purpose Input / Output	Pin of an IC that can be configured as an input or output under software control and has no specifically identified function
IEEE	Institute of Electrical and Electronic Engineers	Is the world's largest technical professional society. It is designed to serve professionals involved in all aspects of the electrical, electronic and computing fields and related areas of science and technology
LIFS	Long Inter-Frame Spacing	Defined in the context of the IEEE 802.15.4-2011 [1] standard
LNA	Low Noise Amplifier	Circuit normally found at the front-end of a radio receiver designed to amplify very low level signals while keeping any added noise to as low a level as possible
LOS	Line of Sight	Physical radio channel configuration in which there is a direct line of sight between the transmitter and the receiver
NLOS	Non Line of Sight	Physical radio channel configuration in which there is no direct line of sight between the transmitter and the receiver
PGA	Programmable Gain Amplifier	Amplifier whose gain can be set / changed via a control mechanism usually by changing register values
PLL	Phase Locked Loop	Circuit designed to generate a signal at a particular frequency whose phase is related to an incoming "reference" signal.
PPM	Parts Per Million	Used to quantify very small relative proportions. Just as 1% is one out of a hundred, 1 ppm is one part in a million
RF	Radio Frequency	Generally used to refer to signals in the range of 3 kHz to 300 GHz. In the context of a radio receiver, the term is generally used to refer to circuits in a receiver before down-conversion takes place and in a transmitter after up-conversion takes place
RTLS	Real Time Location System	System intended to provide information on the location of various items in real-time.
SFD	Start of Frame Delimiter	Defined in the context of the IEEE 802.15.4-2011 [1] standard.
SPI	Serial Peripheral Interface	An industry standard method for interfacing between IC's using a synchronous serial scheme first introduced by Motorola
TCXO	Temperature Controlled Crystal Oscillator	A crystal oscillator whose output frequency is very accurately maintained at its specified value over its specified temperature range of operation.
TWR	Two Way Ranging	Method of measuring the physical distance between two radio units by exchanging messages between the units and noting the times of transmission and reception. Refer to Decawave's website for further information
TDOA	Time Difference of Arrival	Method of deriving information on the location of a transmitter. The time of arrival of a transmission at two physically different locations whose clocks are synchronized is noted and the difference in the arrival times provides information on the location of the transmitter. A number of such TDOA measurements at different locations can be used to uniquely determine the position of the transmitter. Refer to Decawave's website for further information.
UWB	Ultra Wideband	A radio scheme employing channel bandwidths of, or in excess of, 500MHz
WSN	Wireless Sensor Network	A network of wireless nodes intended to enable the monitoring and control of the physical environment

## 10 REFERENCES

- [1] IEEE802.15.4-2011 or “IEEE Std 802.15.4™-2011” (Revision of IEEE Std 802.15.4-2006). IEEE Standard for Local and metropolitan area networks – Part 15.4: Low-Rate Wireless Personal Area Networks (LR-WPANS). IEEE Computer Society Sponsored by the LAN/MAN Standards Committee. Available from <http://standards.ieee.org/>
- [2] Decawave DW1000 Datasheet [www.decawave.com](http://www.decawave.com)
- [3] Decawave DW1000 User Manual [www.decawave.com](http://www.decawave.com)
- [4] Partron(Now manufactured by Abracon) Dielectric Chip Antenna, P/N ACS5200HFAUWB(Now ACA-107-T), [www.digikey.com](http://www.digikey.com) also see [www.abracon.com](http://www.abracon.com)

## 11 DOCUMENT HISTORY

### Revision 1.01

Page	Change Description
All	Update of version number to v1.01
1	Removal of range number
2	Update of table of contents
6	Modification of SPI timing diagrams figure 3 & 4 to correct timing definitions
7	Addition of note re external clock
8	Addition of footnote
20	Addition of section 4.2.3 re power down
27	Addition of v1.01 to table 16 Addition of this section & modification of heading numbers as a result

### Revision 1.1

Page	Change Description
All	Update of version number to v1.1
4	Modification of copyright notice to 2015
12	Addition of note on Rx sensitivity
18	Addition of note on effect of application ground plane on antenna polarization
19	Addition of explanatory note to Table 14 column heading re SPI master
20	Addition of power supplies that should be removed to power down the chip
22	Addition of module weight in new Table 15 and update of all subsequent table captions
27	Addition of v1.1 to Table 17 Addition of this table

**Revision 1.2**

Page	Change Description
All	Update of version number to v1.2
Various	Minor typographical changes
7	Removal of section 1.9 External Synchronization
9	Modification to Figure 5 to correct pin names and correct the descriptions of GPIO5 & 6.
10 - 11	Modification to description of pin 4; removal of SYNC functionality as not applicable to DWM100. Modification to description of GPIO5 / 6 – SPIPHA and SPIPOL functionality was incorrectly stated.
12	Addition of OTP programming voltage to table 5 Addition of max digital input voltage to table 5
19	Modification to Figure 10 to correct pin names
27 - 28	Addition of v1.2 to table 17 Addition of this table

**Revision 1.3**

Page	Change Description
All	Update of version number to v1.3
Various	Minor typographical changes
18	Modification to application board layout guidelines
27 - 28	Addition of v1.3 to table 17 Addition of this table

**Revision 1.4**

Page	Change Description
All	Update of version number to v1.4
17	Insertion of measured antenna radiation pattern data
29 - 30	Addition of v1.4 to table 17 Addition of this table

**Revision 1.5**

Page	Change Description
All	Update of version number to v1.5
26	Update to refer to Abracon as antenna manufacturer.

**Revision 1.6**

Page	Change Description
All	Update of version number to v1.6
20	Update to Figure 11 to correct height dimension

**REVISION 1.7**

Page	Change Description
All	Update with new logo

**REVISION 1.8**

Page	Change Description
All	Update with new logo
22, 24	Added V2 label details, packaging information.
27	Add a regulatory information section



## 12 FURTHER INFORMATION

Decawave develops semiconductors solutions, software, modules, reference designs - that enable real-time, ultra-accurate, ultra-reliable local area micro-location services. Decawave's technology enables an entirely new class of easy to implement, highly secure, intelligent location functionality and services for IoT and smart consumer products and applications.

For further information on this or any other Decawave product, please refer to our website [www.decawave.com](http://www.decawave.com).

## X-ON Electronics

Largest Supplier of Electrical and Electronic Components

*Click to view similar products for [RF Modules](#) category:*

*Click to view products by [Qorvo](#) manufacturer:*

Other Similar products are found below :

[SIMSA868-PRO](#) [SIMSA915C-PRO](#) [SIMSA868C-PRO](#) [SIMSA433C-PRO](#) [SIMSA915-PRO](#) [AM-RX12A-433P](#) [SIMSA868C-N-PRO](#)  
[SIMSA433C-N-PRO](#) [SIMSA915C-N-PRO](#) [2221706-1](#) [RAD-900-DAIO6](#) [S2-107XB-Z2356-Z2352](#) [S2-10686-Z1L1D](#) [G510-Q50-50-00](#)  
[RFM6501W-868S2](#) [650201000G](#) [650200808G](#) [650201421G](#) [IQD-GW-02](#) [MAMWLE01](#) [RC-SPIRIT2-433](#) [RC-SPIRIT2-868](#) [DL-](#)  
[RFM69HC-433M](#) [DL-RFM69HC-868M](#) [DL-RFM69HC-915M](#) [ECC961613EU](#) [E01C-ML01SP2](#) [H330 A30-00](#) [RC-CC1101-SPI-868](#) [RC-](#)  
[CC1101-SPI-SMT-434](#) [RC-CC1101-SPI-SMT-868](#) [RC-CC1310-868](#) [RCQ2-434](#) [RCS1K-868](#) [RCTX-434](#) [RCTX-434-L](#) [CTU-D2R](#) [CTU-](#)  
[D5N](#) [RFM02 868D](#) [RFM02 868S2](#) [RFM110-433S1](#) [RFM119S-433S1](#) [RFM119W-433S1](#) [RFM12B-433S1P](#) [RFM12B-868DP](#) [RFM210LCF-](#)  
[433S1](#) [RFM219SW-868S1](#) [RFM23B-868-D](#) [RFM31B-433-S2](#) [RFM42B-868-D](#)