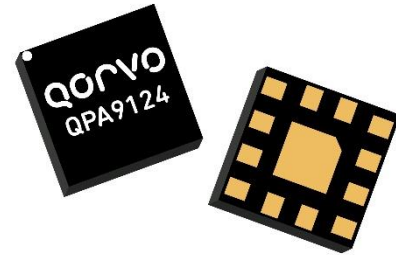


Product Overview

The QPA9124 is a 50Ω single-ended input to 100Ω differential output, wideband gain block. It is well suited as the 5G m-MIMO BTS Rx path final gain stage, to directly interface with the ADC of the transceiver, eliminating the need for a discrete balun.

This amplifier delivers exceptional performance with 20.5 dB of small signal gain and 34.5 dBm output 3rd order intercept (OIP3). The amplifier has excellent gain flatness of 0.5 dB over any 400 MHz bandwidth and a CMRR of 35dB. The amplifier features a shut-down function through V_{PD} pin control.

The QPA9124 is optimized over 3.0-5.0GHz band and is housed in a compact 2X2mm SMT package

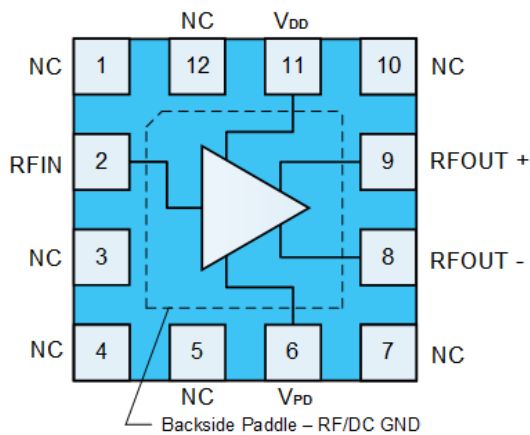


12-pin, 2 x 2 mm SMT Package

Key Features

- 3.0–5.0 GHz Operational Frequency
- 100 Ohm Differential Output
- 50 Ohm Single-Ended Input
- +34.5 dBm OIP3
- 20.5 dB Gain
- Small 2 x 2 mm SMT Package

Functional Block Diagram



Top View

Applications

- 5G m-MIMO
- Mobile Infrastructure
- General Purpose Wireless
- TDD / FDD System

Ordering Information

Part No.	Description
QPA9124TR7	2500 pcs on 7" reel (standard)
QPA9124EVB-01	Differential Output Evaluation Board

Absolute Maximum Ratings

Parameter	Rating
Storage Temperature	-65 to +150°C
RF Input Power, CW, 50 Ω, T=25 °C	+22 dBm
Device Voltage (V _{DD})	+7 V
Dissipated Power (P _{DISS})	0.7W

Exceeding any one or a combination of the Absolute Maximum Rating conditions may cause permanent damage to the device. Extended application of Absolute Maximum Rating conditions to the device may reduce device reliability.

Recommended Operating Conditions

Parameter	Min	Typ	Max	Units
Device Voltage (V _{DD})	+3.3	+5	+5.25	V
T _{CASE}	-40		+105	°C
T _j for >10 ⁶ hours MTTF			+190	°C

Electrical specifications are measured at specified test conditions. Specifications are not guaranteed over all recommended operating conditions.

Electrical Specifications

Parameter	Conditions ⁽¹⁾	Min	Typ	Max	Units
Operational Frequency Range		3000		5000	MHz
Test Frequency			3500		MHz
Small Signal Gain ⁽²⁾	100 Ω Differential Output	18.0	20.5	22.0	dB
Gain Flatness	Any 400 MHz BW within band		0.5		dB
Input Return Loss			14		dB
Output Return Loss ⁽³⁾	100 Ω Differential		25		dB
Output P1dB ⁽²⁾		+16	+18		dBm
Output IP3 ⁽²⁾	P _{out} = +2 dBm/tone, Δf = 1 MHz ⁽⁴⁾	+29.5	+34.5		dBm
CMRR ⁽³⁾			35		dB
Output Impedance	Differential		100		Ω
Noise Figure			1.5		dB
Device Current, ON	V _{PD} = 0.63 V		70	110	mA
Device Current, OFF	V _{PD} = 1.17 V		4		mA
V _{PD} , Logic Low		0		0.63	V
V _{PD} , Logic High		1.17		V _{DD}	V
Switching Time	50% DC to 10/90% RF		500		nsec
Thermal Resistance, θ _{JC}	Junction to case		50		°C/W

Notes:

1. Test conditions unless otherwise noted: V_{DD} = +5.0 V, V_{PD} = +0.63 V, I_{DD} = 68 mA, Temp = +25 °C, 50 Ω system.
2. With ideal balun at differential port.
3. Calculated from 3 port S-parameters.
4. P_{out} = +2dBm/tone with ideal balun at output or P_{out} = -1dBm/tone with half side measurement.

Logic Table

Parameter, V _{PD}	High	Low
Device State	OFF	ON

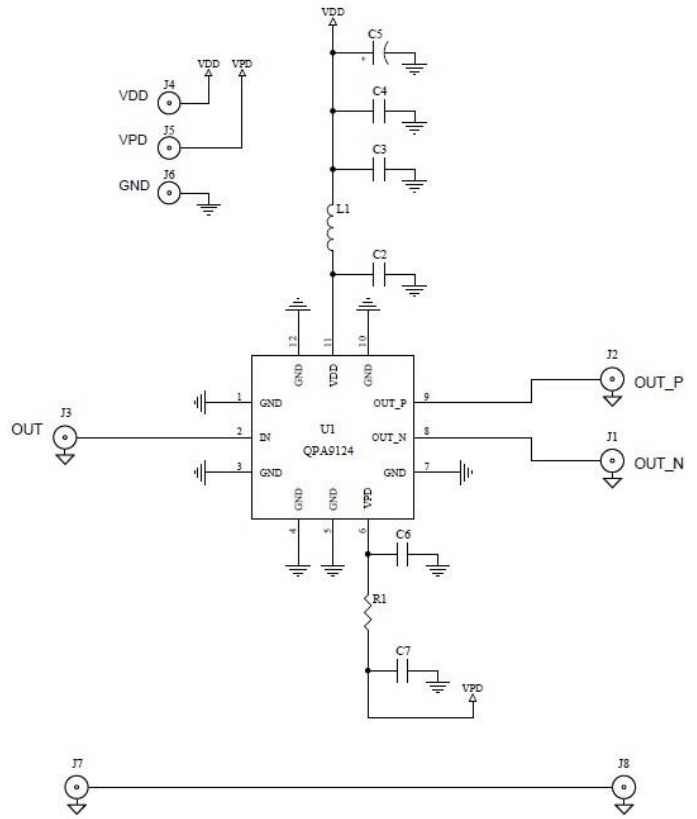
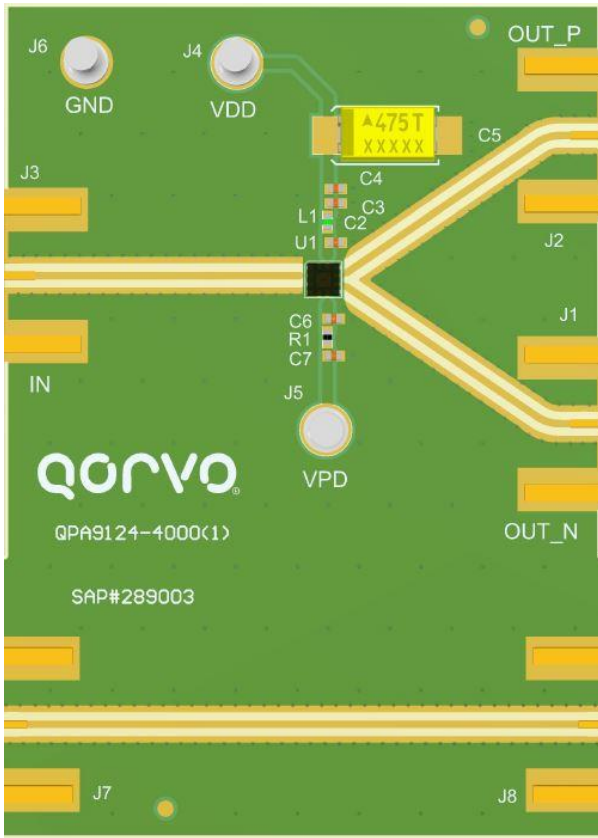
Typical Performance – QPA9124EVB-01

Parameter	Conditions ⁽¹⁾	Typical Value					Units
Frequency		3300	3600	3800	4800	5000	MHz
Gain ⁽³⁾		19.8	20.6	20.7	19.4	20.5	dB
Input Return Loss		14.8	14.1	15.4	11.5	10.0	dB
Output Return Loss ⁽³⁾		16.1	18.8	12.1	10.4	10.6	dB
Output P1dB ⁽²⁾		16.7	18.0	18.3	18.8	18.5	dBm
Output IP3 ⁽²⁾	Pout = +2 dBm/tone, Δf = 1 MHz ⁽⁴⁾	32.9	35.1	34.8	33.2	32.7	dBm

Notes:

1. Test conditions unless otherwise noted: $V_{DD} = +5.0\text{ V}$, $V_{PD} = +0.63\text{ V}$, $I_{DD} = 68\text{ mA}$, Temp = +25 °C, 50 Ω system.
2. With idea balun on differential port.
3. Calculated from 3 port S-Parameters.
4. Pout = +2dBm/tone with ideal balun at output or Pout = -1dBm/tone with half side measurement.

3000 to 5000MHz Evaluation Board - QPA9124EVB-01

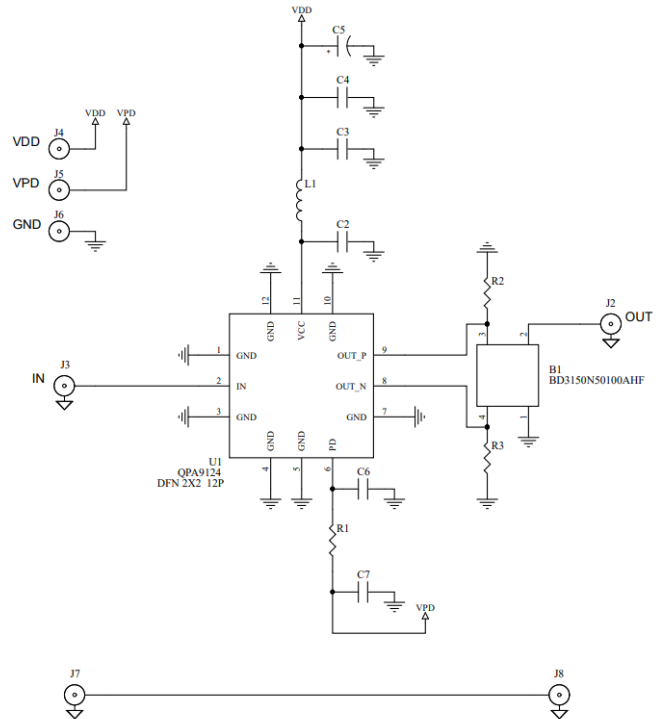
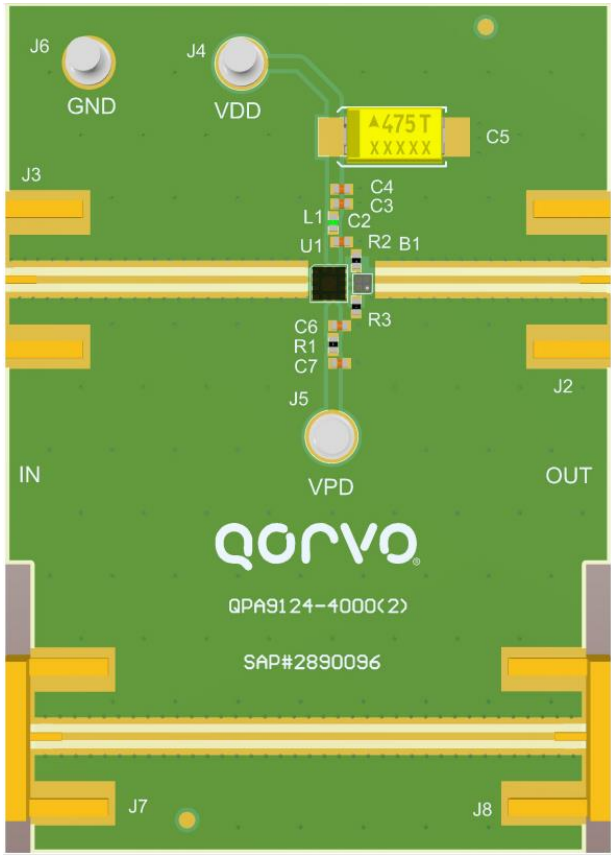


- Notes:
1. See Evaluation Board PCB Information for material and stack up.

Bill of Materials

Reference Des.	Value	Description	Manuf.	Part Number
n/a	-	PCB, Printed Circuit Board	Qorvo	292570
U1	-	AMP, Differential Output Rx Gain Block	Qorvo	QPA9124
C5	10 μF	CAP, 10 μF, 20%, 25V, Tantalum, 6032	Cal-Chip	TCMIE106CT
C3	1000 pF	CAP, 1000 pF, 5%, 50V, C0G, 0402	Murata	GRM1555C1H102JA01D
C4	0.1 μF	CAP, 0.1 μF, 10%, 50V, X5R, 0402	Various	-
R1	0 Ω	RES, 0 Ω, 1/10W, 0402	Kamaya	RMC1/16SJPTH
L1	2 nH	IND, 2 nH, ±0.1 nH, Thin Film, 0402	Murata	LQP15MN2N0B02D
J1, J2, J3	-	CONN, SMA F STRT .062"	Cinch Connectivity	142-0701-851
J4, J5, J6	-	TERM, Solder Turret, .062" PCB	Mouser	2533-0-00-44-00-00-07-0

3000 to 5000MHz Evaluation Board with Output Balun



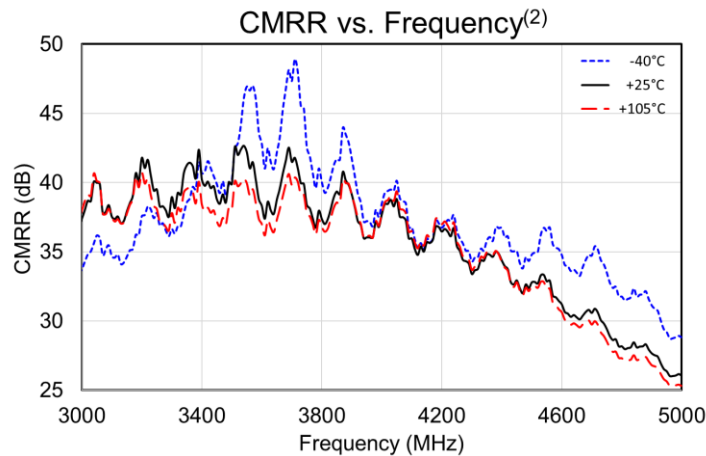
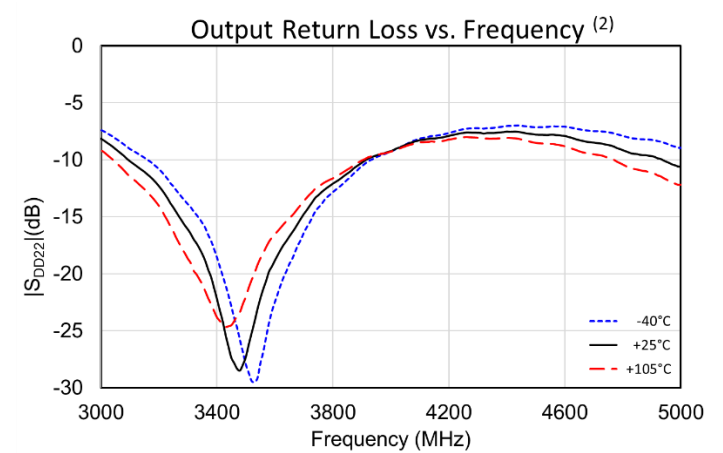
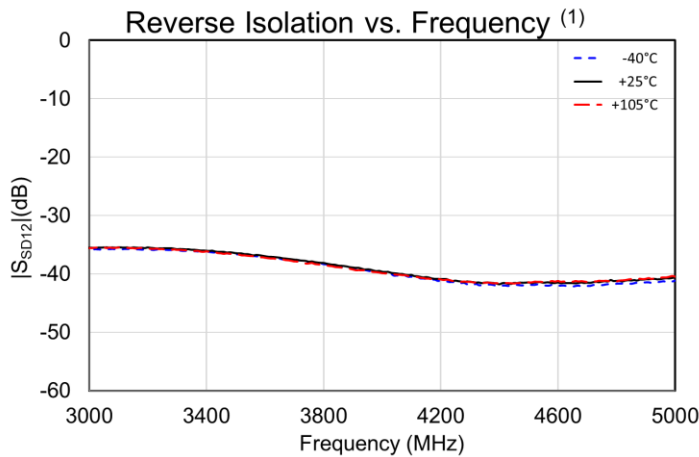
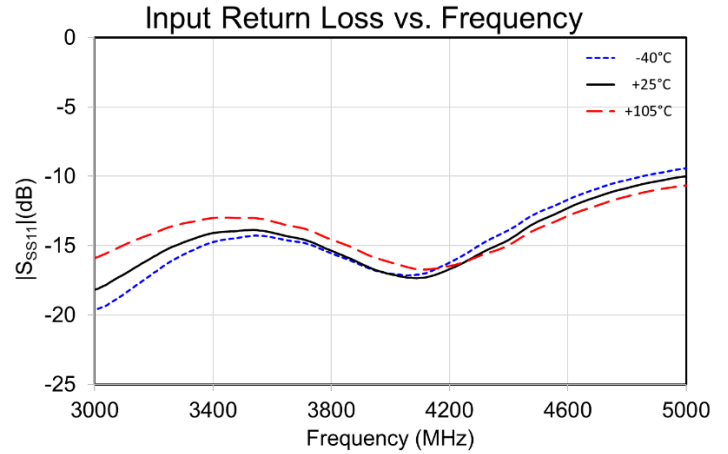
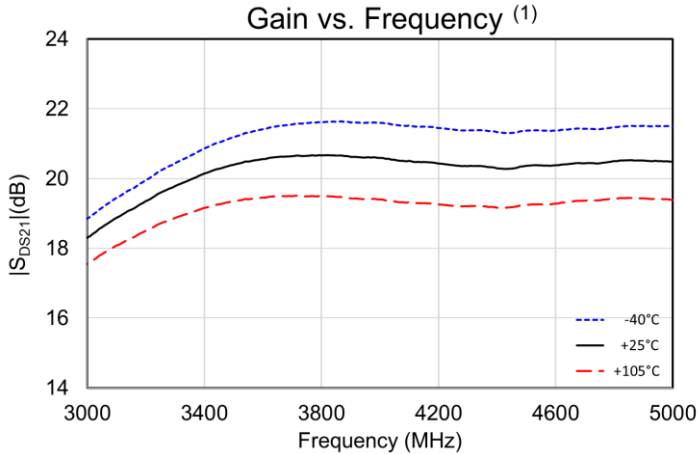
- Notes:
1. See Evaluation Board PCB Information for material and stack up.

Bill of Materials

Reference Des.	Value	Description	Manuf.	Part Number
n/a	-	Printed Circuit Board	Qorvo	
U1	-	Differential Output Rx Gain Block	Qorvo	QPA9124
C5	10 μ F	CAP, 10uF, 20%, 25V, 6032, TANTALUM	Cal-Chip	TCMIE106CT
C3	1000 pF	CAP, 1000pF, 10%, 50V, X7R, 0402	Various	
C4	0.1 μ F	CAP, 10%, 50V, X5R, 0402	Various	
R1	0 Ω	RES, 1/10W, 0402	Various	
B1	-	BALUN, 3.1GHZ-5GHZ, 50/100, 0404	Anaren	BD3150N50100AHF
L1	2 nH	IND, Thin Film, 0402	Various	
J1, J2, J3	-	Conn, SMA F STRT .062"	Cinch Connectivity	142-0701-851

Performance Plots – QPA9124EVB-01 (1)

Test conditions unless otherwise noted: V_{DD} on EVB = +5.0 V, V_{PD} = +0.63 V, 50 Ω system.

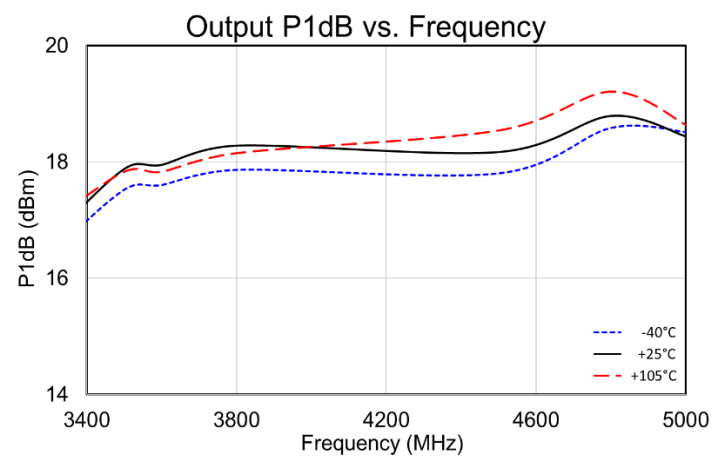
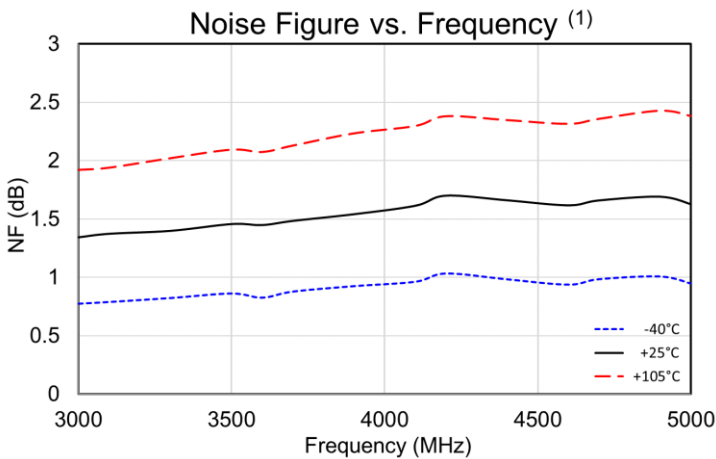
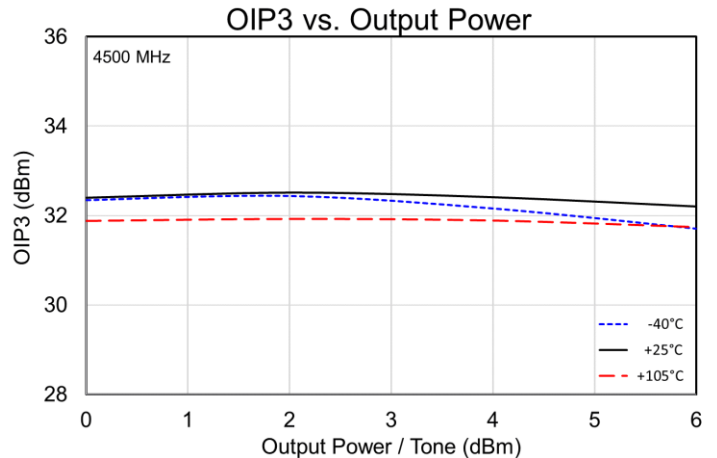
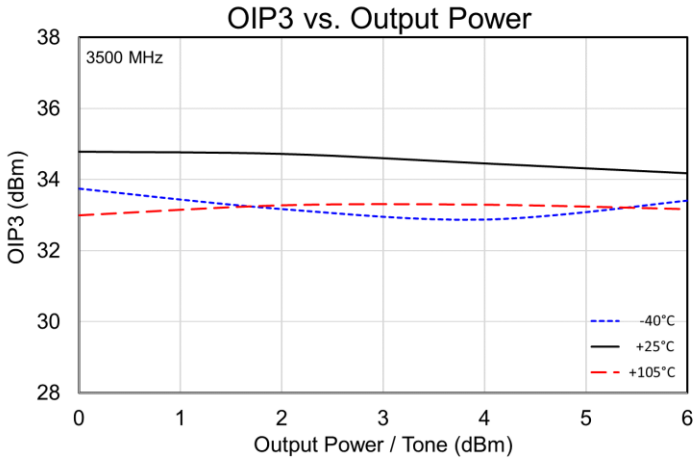


Notes:

1. Differential port related results converted with an ideal Balun
2. Calculated from 3-port S-Parameters.

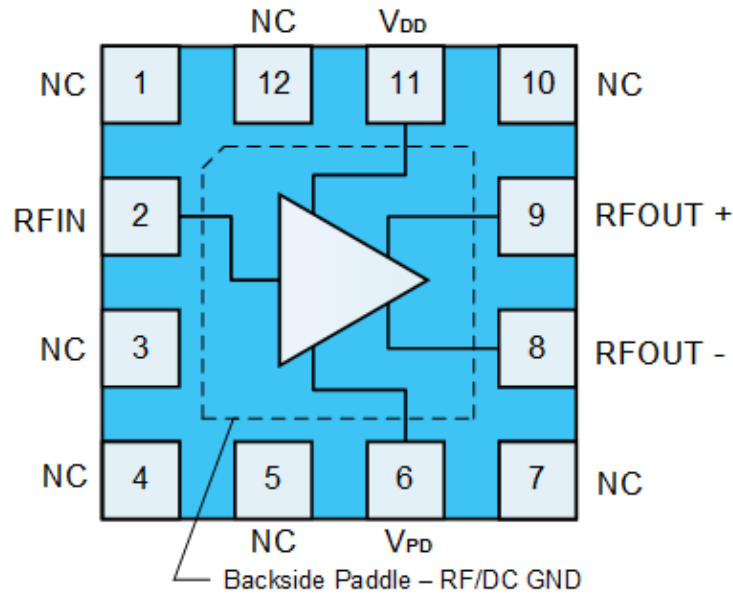
Performance Plots – QPA9124EVB-01 ⁽²⁾ (Contd.)

Test conditions unless otherwise noted: V_{DD} on EVB = +5.0 V, V_{PD} = +0.63 V. 50 Ω system.



- Notes:
1. Trace loss and Balun de-embedded in NF vs Frequency
 2. Differential port related results converted with an ideal Balun

Pad Configuration and Description

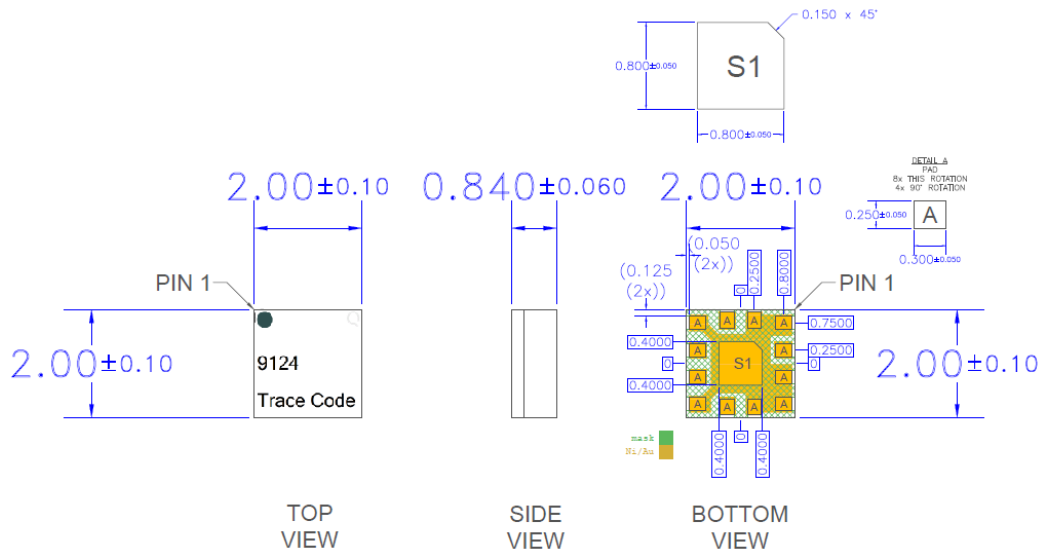


Top View

Pad No.	Label	Description
1, 3, 4, 5, 7, 10, 12	NC	No electrical connection internally. It may be left floating or connected to ground. Land pads should be provided for PCB mounting integrity.
2	RFIN	RF input. Internally matched to 50 ohms.
6	V _{PD}	Power down control input, Active high to turn down internal BIAS voltage
8	RFOUT-	RF Differential output -. Requires external DC blocking capacitor if DC is present on this pin.
9	RFOUT+	RF Differential output +. Requires external DC blocking capacitor if DC is present on this pin.
11	V _{DD}	DC Power supply voltage input for amplifier.

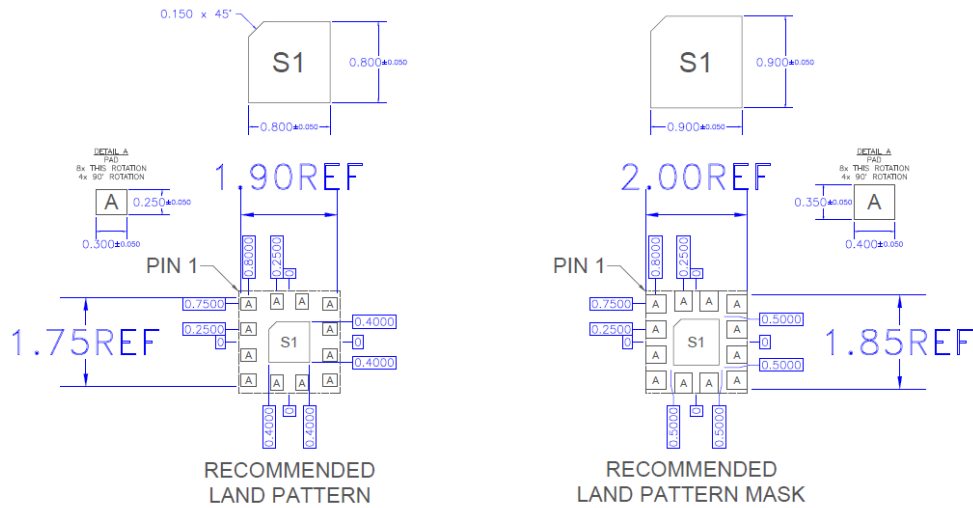
Package Marking and Dimensions

Marking: Part Number – 9124
Trace Code – assigned by sub-contractor



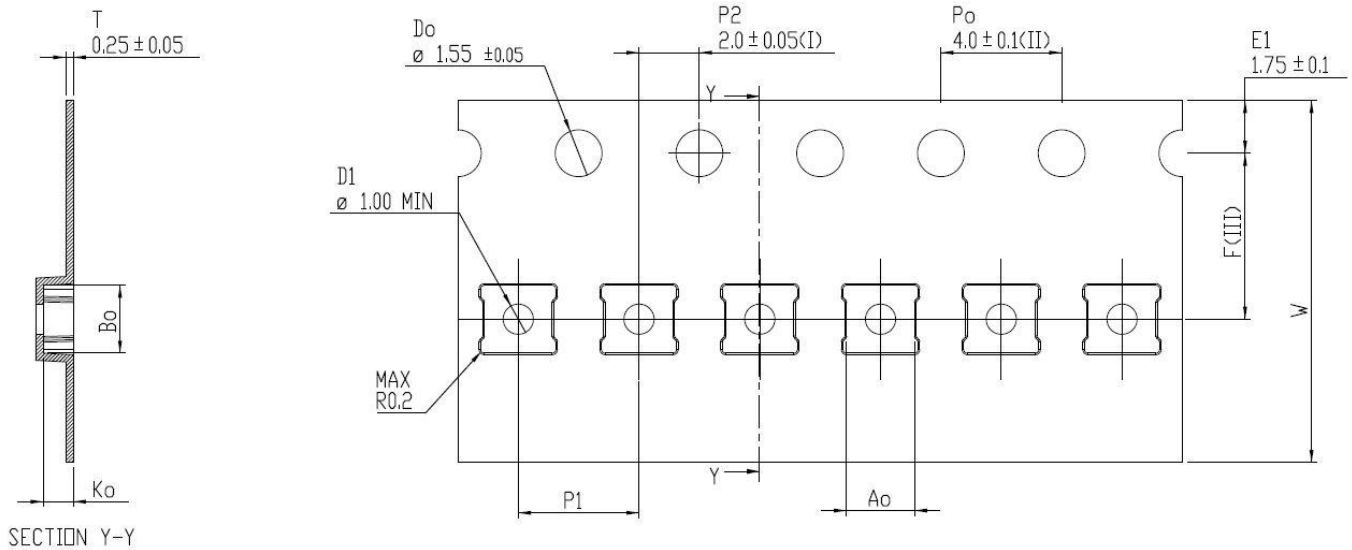
- Notes:
1. All dimensions are in millimeters. Angles are in degrees.
 2. The terminal #1 identifier and terminal numbering conform to SPE-000677.
 3. Contact plating: ENEPIG

Recommended PCB Layout Pattern

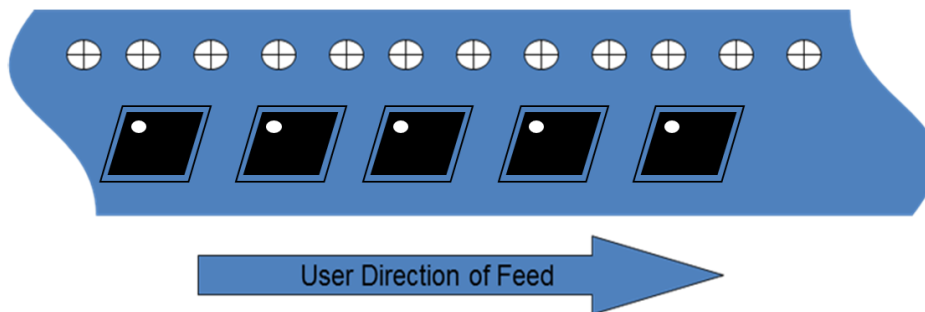


- Notes:
1. All dimensions are in millimeters. Angles are in degrees.
 2. Use 1 oz. copper minimum for top and bottom layer metal.
 3. Via holes are required under the backside paddle of this device for proper RF/DC grounding and thermal dissipation. We recommend a 0.35mm (#80/.0135") diameter bit for drilling via holes and a final plated thru diameter of 0.25 mm (0.01").
 4. Ensure good package backside paddle solder attach for reliable operation and best electrical performance.

Tape and Reel Information – Carrier and Cover Tape Dimensions

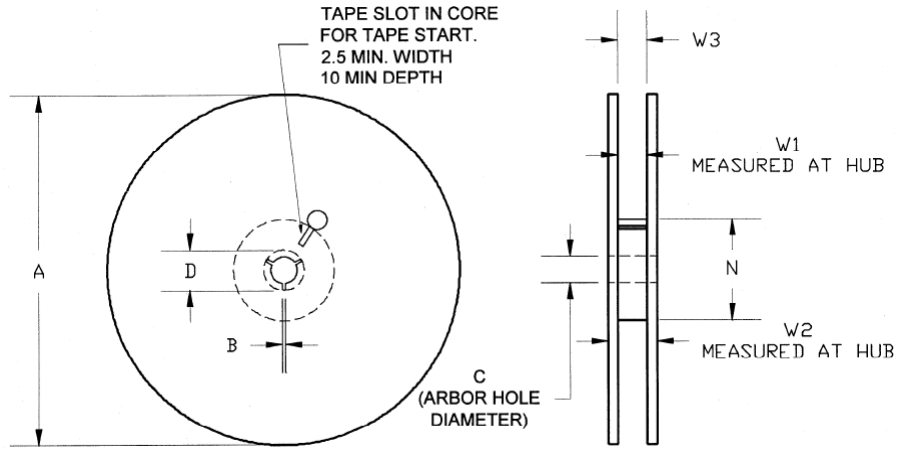


Feature	Measure	Symbol	Size (in)	Size (mm)
Cavity	Length	A0	0.087	2.20
	Width	B0	0.087	2.20
	Depth	K0	0.037	0.95
	Pitch	P1	0.157	4.00
Centerline Distance	Cavity to Perforation - Length Direction	P2	0.079	2.00
	Cavity to Perforation - Width Direction	F	0.217	5.50
Cover Tape	Width	C	0.362	9.20
Carrier Tape	Width	W	0.472	12.00



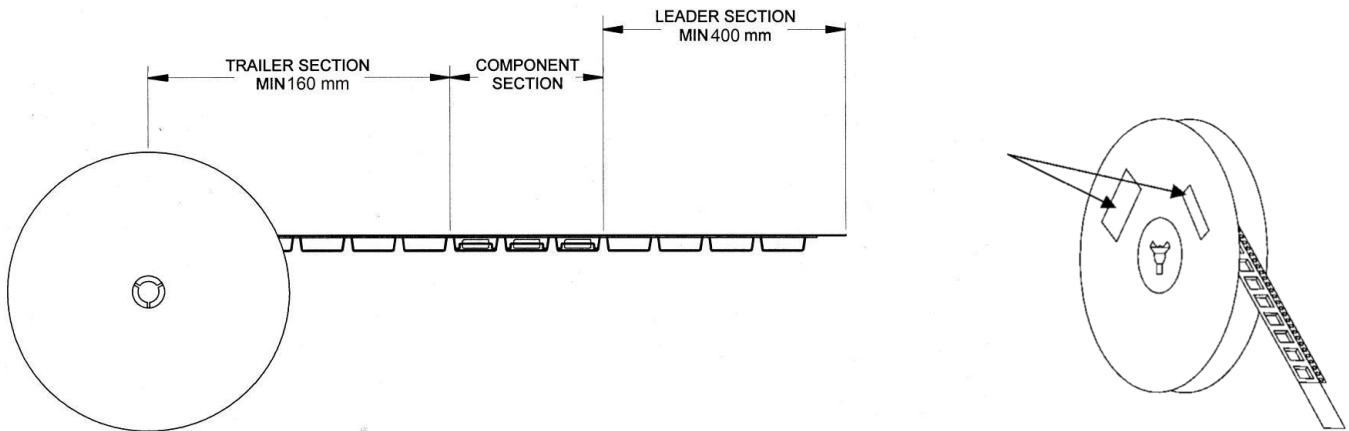
Tape and Reel Information – Reel Dimensions

Standard T/R size = 2,500 pieces on a 7" reel.



Feature	Measure	Symbol	Size (in)	Size (mm)
Flange	Diameter	A	6.969	177.0
	Thickness	W2	0.717	18.2
	Space Between Flange	W1	0.504	12.8
Hub	Outer Diameter	N	2.283	58.0
	Arbor Hole Diameter	C	0.512	13.0
	Key Slit Width	B	0.079	2.0
	Key Slit Diameter	D	0.787	20.0

Tape and Reel Information – Tape Length and Label Placement



- Notes:
1. Empty part cavities at the trailing and leading ends are sealed with cover tape. See EIA 481-1-A.
 2. Labels are placed on the flange opposite the sprockets in the carrier tape.

Handling Precautions

Parameter	Rating	Standard
ESD – Human Body Model (HBM)	Class 1C	ESDA / JEDEC JS-001-2017
ESD – Charged Device Model (CDM)	Class C3	JEDEC JESD22-C101F
MSL – Moisture Sensitivity Level	Level 3	IPC/JEDEC J-STD-020E



Caution!
 ESD-Sensitive Device

Solderability

Compatible with both lead-free (260°C max. reflow temperature) and tin/lead (245°C max. reflow temperature) soldering processes. Solder profiles available upon request.

Contact plating: ENEPIG

RoHS Compliance

This part is compliant with 2011/65/EU RoHS directive (Restrictions on the Use of Certain Hazardous Substances in Electrical and Electronic Equipment) as amended by Directive 2015/863/EU.

This product also has the following attributes:

- Lead Free
- Halogen Free (Chlorine, Bromine)
- Antimony Free
- TBBP-A (C₁₅H₁₂Br₄O₂) Free
- SVHC Free



Contact Information

For the latest specifications, additional product information, worldwide sales and distribution locations:

Web: www.qorvo.com

Tel: 1-844-890-8163

Email: customer.support@qorvo.com

Important Notice

The information contained herein is believed to be reliable; however, Qorvo makes no warranties regarding the information contained herein and assumes no responsibility or liability whatsoever for the use of the information contained herein. All information contained herein is subject to change without notice. Customers should obtain and verify the latest relevant information before placing orders for Qorvo products. The information contained herein or any use of such information does not grant, explicitly or implicitly, to any party any patent rights, licenses, or any other intellectual property rights, whether with regard to such information itself or anything described by such information. **THIS INFORMATION DOES NOT CONSTITUTE A WARRANTY WITH RESPECT TO THE PRODUCTS DESCRIBED HEREIN, AND QORVO HEREBY DISCLAIMS ANY AND ALL WARRANTIES WITH RESPECT TO SUCH PRODUCTS WHETHER EXPRESS OR IMPLIED BY LAW, COURSE OF DEALING, COURSE OF PERFORMANCE, USAGE OF TRADE OR OTHERWISE, INCLUDING THE IMPLIED WARRANTIES OF MERCHANTABILITY AND FITNESS FOR A PARTICULAR PURPOSE.**

Without limiting the generality of the foregoing, Qorvo products are not warranted or authorized for use as critical components in medical, life-saving, or life-sustaining applications, or other applications where a failure would reasonably be expected to cause severe personal injury or death.

Copyright 2019 © Qorvo, Inc. | Qorvo is a registered trademark of Qorvo, Inc.

X-ON Electronics

Largest Supplier of Electrical and Electronic Components

Click to view similar products for [RF Amplifier](#) category:

Click to view products by [Qorvo](#) manufacturer:

Other Similar products are found below :

[A82-1](#) [BGA622H6820XTSA1](#) [BGA 728L7 E6327](#) [BGB719N7ESDE6327XTMA1](#) [HMC397-SX](#) [HMC405](#) [HMC561-SX](#) [HMC8120-SX](#)
[HMC8121-SX](#) [HMC-ALH382-SX](#) [HMC-ALH476-SX](#) [SE2433T-R](#) [SMA3101-TL-E](#) [SMA39](#) [A66-1](#) [A66-3](#) [A67-1](#) [LX5535LQ](#) [LX5540LL](#)
[MAAM02350](#) [HMC3653LP3BETR](#) [HMC549MS8GETR](#) [HMC-ALH435-SX](#) [SMA101](#) [SMA32](#) [SMA411](#) [SMA531](#) [SST12LP17E-XX8E](#)
[SST12LP19E-QX6E](#) [WPM0510A](#) [HMC5929LS6TR](#) [HMC5879LS7TR](#) [HMC1126](#) [HMC1087F10](#) [HMC1086](#) [HMC1016](#) [SMA1212](#)
[MAX2689EWS+T](#) [MAAMSS0041TR](#) [MAAM37000-A1G](#) [LTC6430AIUF-15#PBF](#) [CHA5115-QDG](#) [SMA70-2](#) [SMA4011](#) [A231](#) [HMC-](#)
[AUH232](#) [LX5511LQ](#) [LX5511LQ-TR](#) [HMC7441-SX](#) [HMC-ALH310](#)