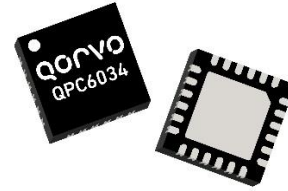


# QPC6034

## Absorptive High Isolation SP3T Switch 5 MHz to 6000 MHz

The QPC6034 is a Silicon on Insulator (SOI) single-pole, 3-throw (SP3T) switch, designed for use in cellular, 3G, LTE, and other high performance communications systems. It offers high isolation symmetric topology with excellent linearity and power handling capability. No blocking capacitors are necessary on the RF ports. The design is non-reflective such that the RFX ports are terminated into 50  $\Omega$  in the off state. QPC6034 is +1.8 V logic compatible, and incorporates a single pin to disable the internal Negative Voltage Generator (NVG) and supply a negative voltage from off-chip, if necessary.

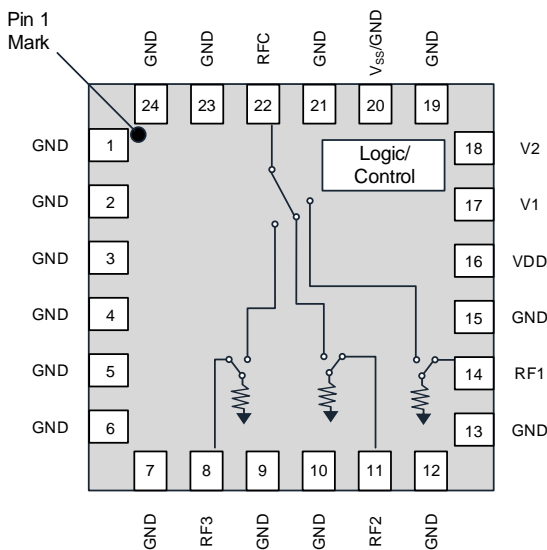


Package: QFN, 24-pin,  
 4.0 mm x 4.0 mm

### Features

- 5 MHz to 6000 MHz Operation
- Symmetrical SP3T.
- Non-Reflective (RFX ports)
- Terminated All-Off State mode
- No Blocking Caps Necessary unless voltage is on RF Line
- High Isolation: 62 dB at 2 GHz
- High Input IP3: +59 dBm
- 2 kV ESD
- +1.8 V Logic Compatible

### Functional Block Diagram



### Ordering Information

QPC6034SQ	Sample Bag with 25 pieces
QPC6034SR	7" Reel with 100 pieces
QPC6034TR13	13" Reel with 2500 pieces
QPC6034PCK401	5 MHz to 6000 MHz PCBA with 5-Piece Sample Bag

### Applications

- Cellular, 3G, LTE Infrastructure
- WiBro, WiMAX, LTE
- High Performance Communications Systems
- Test Equipment

# QPC6034

## Absolute Maximum Ratings

Parameter	Rating	Units
Supply Voltage	+6	V
Control Voltage	-0.2 to +6	V
V <sub>SS</sub> Supply	-6	V
Max RF Input Power, RFC/RFX non-terminated	+37.5	dBm
Max RF Input Power, RFX terminated	+29	dBm
Operating Temperature	-40 to +105	°C
Storage Temperature	-40 to +150	°C
Maximum Junction Temperature	+125	°C
ESD Rating	Human Body Model (HBM)	2000
	Charge Device Model (CDM)	1000
Moisture Sensitivity Level (MSL) Rating	2	-



**Caution!** ESD sensitive device.



RFMD Green: RoHS status based on EU Directive 2011/65/EU (at time of this document revision), halogen free per IEC 61249-2-21, < 1000 ppm each of antimony trioxide in polymeric materials and red phosphorus as a flame retardant, and <2% antimony in solder.

Exceeding any one or a combination of the Absolute Maximum Rating conditions may cause permanent damage to the device. Extended application of Absolute Maximum Rating conditions to the device may reduce device reliability. Specified typical performance or functional operation of the device under Absolute Maximum Rating conditions is not implied.

## Recommended Operating Conditions

Parameter	Specifications			Units
	Min	Typ	Max	
Operating Temperature Range	-40	+25	+105	°C
Operating Junction Temperature			+125	°C
Supply Voltage	+2.7	+5.0	+5.5	V
V <sub>SS</sub> Supply (Applicable for off-chip negative supply, otherwise 0V (zero) for internal NVG operation)	-5.5	-5.0	-2.7	V

## Electrical Specifications

Parameter	Specification			Units	Conditions
	Min	Typ	Max		
Operating Frequency Range	5		6000	MHz	
Insertion Loss		0.84		dB	450 MHz
		0.86		dB	900 MHz
		0.93	1.25	dB	2100 MHz
		0.96		dB	2600 MHz
		0.98		dB	4000 MHz
		1.00		dB	6000 MHz
Isolation (RFC – RFX)		75		dB	450 MHz
		70		dB	900 MHz
	50	62		dB	2100 MHz
		61		dB	2600 MHz
		61		dB	4000 MHz
		60		dB	6000 MHz

Test conditions unless otherwise specified: T<sub>A</sub> = +25 °C, V<sub>CTRL</sub> = 0/+5 V, V<sub>DD</sub> = +5 V, 50 Ω system, Standard Application Circuit

# QPC6034

## Electrical Specifications (contd.)

Parameter	Specification			Units	Conditions
	Min	Typ	Max		
Isolation (RFX – RFX)		78		dB	450 MHz
		73		dB	900 MHz
		65		dB	2100 MHz
		62		dB	2600 MHz
		55		dB	4000 MHz
		48		dB	6000 MHz
Return Loss (RFX On-State)		29		dB	450 MHz
		27		dB	900 MHz
		24		dB	2100 MHz
		24		dB	2600 MHz
		20		dB	4000 MHz
		14		dB	6000 MHz
Return Loss (RFX Off-State)		29		dB	450 MHz
		27		dB	900 MHz
		30		dB	2100 MHz
		25		dB	2600 MHz
		30		dB	4000 MHz
		16		dB	6000 MHz
Input IP2		+110		dBm	1 GHz
Input IP3	+55	+59		dBm	1 GHz, +17 dBm/tone, 1 MHz tone spacing
Input P1dB		+36		dBm	
Settling Time		1	4	μs	50% V <sub>CTRL</sub> to optimum functionality
Start-up Time		5	25	μs	90% V <sub>DD</sub> to full functionality
Switching Speed		150	500	ns	50 % control to 10/90 % RF
NVG Spur		-104		dBm	Internal NVG on.

Test conditions unless otherwise specified: T<sub>A</sub> = +25 °C, V<sub>CTRL</sub> = 0/+5 V, V<sub>DD</sub> = +5 V, 50 Ω system, Standard Application Circuit

## Electrical Specifications – Power Supply

Parameter	Specification			Units	Conditions
	Min	Typ	Max		
Supply Current (I <sub>DD</sub> )		90		μA	V <sub>DD</sub> = +5 V
Control Current (V1, V2)		1		μA	V <sub>CTRL</sub> = +5 V
V <sub>SS</sub> Current		100		μA	V <sub>SS</sub> = -5 V, NVG is shut down.
Low Control Voltage (V1, V2)	0		+0.63	V	+1.8 V Logic Compatible
High Control Voltage (V1, V2)	+1.1		V <sub>DD</sub>	V	+1.8 V Logic Compatible

Test conditions unless otherwise specified: T<sub>A</sub> = +25 °C, V<sub>CTRL</sub> = 0/+5 V, V<sub>DD</sub> = +5 V, 50 Ω system, Standard Application Circuit

# QPC6034

## Maximum Operating Power at High Temperature, CW, ≥50 MHz, 50 Ω System

Input	Power (dBm) at each port		Theta-J (°C/W)
	+85°C	+105°C	
RFC/ RFX – Active <sup>1</sup>	35.4	32.2	56
RFX – Terminated (1 path)	27.8	24.8	66
RFX – Terminated (2 adjacent paths)	26.7	23.7	85
RFX – Terminated (all paths)	26.6	23.6	86

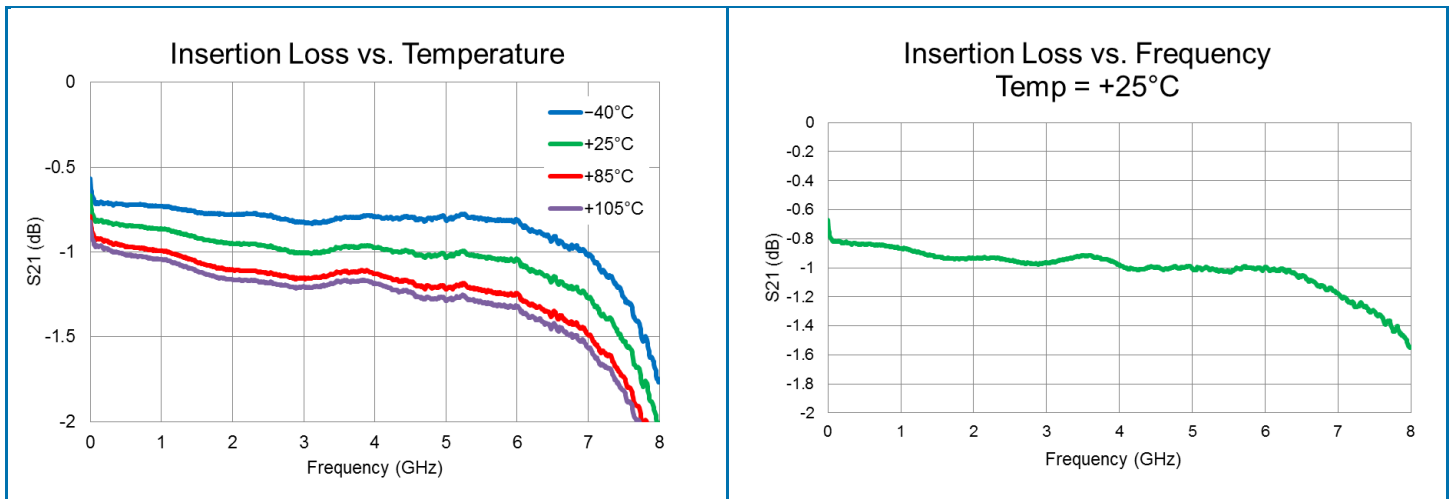
Notes:

- For frequencies <50 MHz, maximum operating power at all temperatures should be at least 2 dB less than P1dB compression from plot.

### Truth Table

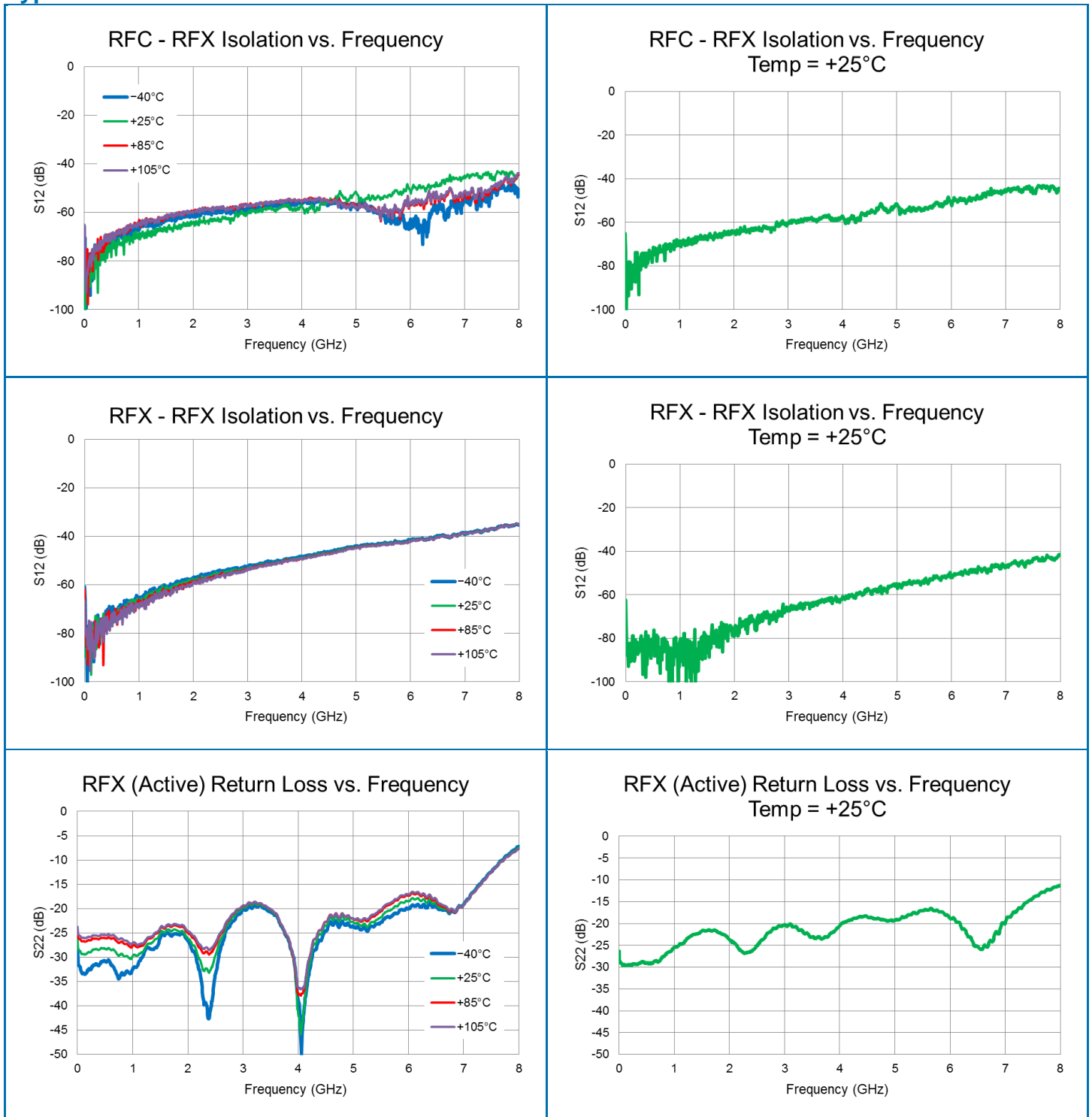
MODE	V1	V2
All Termination State (All Off)	0	0
RFC-RF1 Active	1	0
RFC-RF2 Active	0	1
RFC-RF3 Active	1	1

### Typical Performance



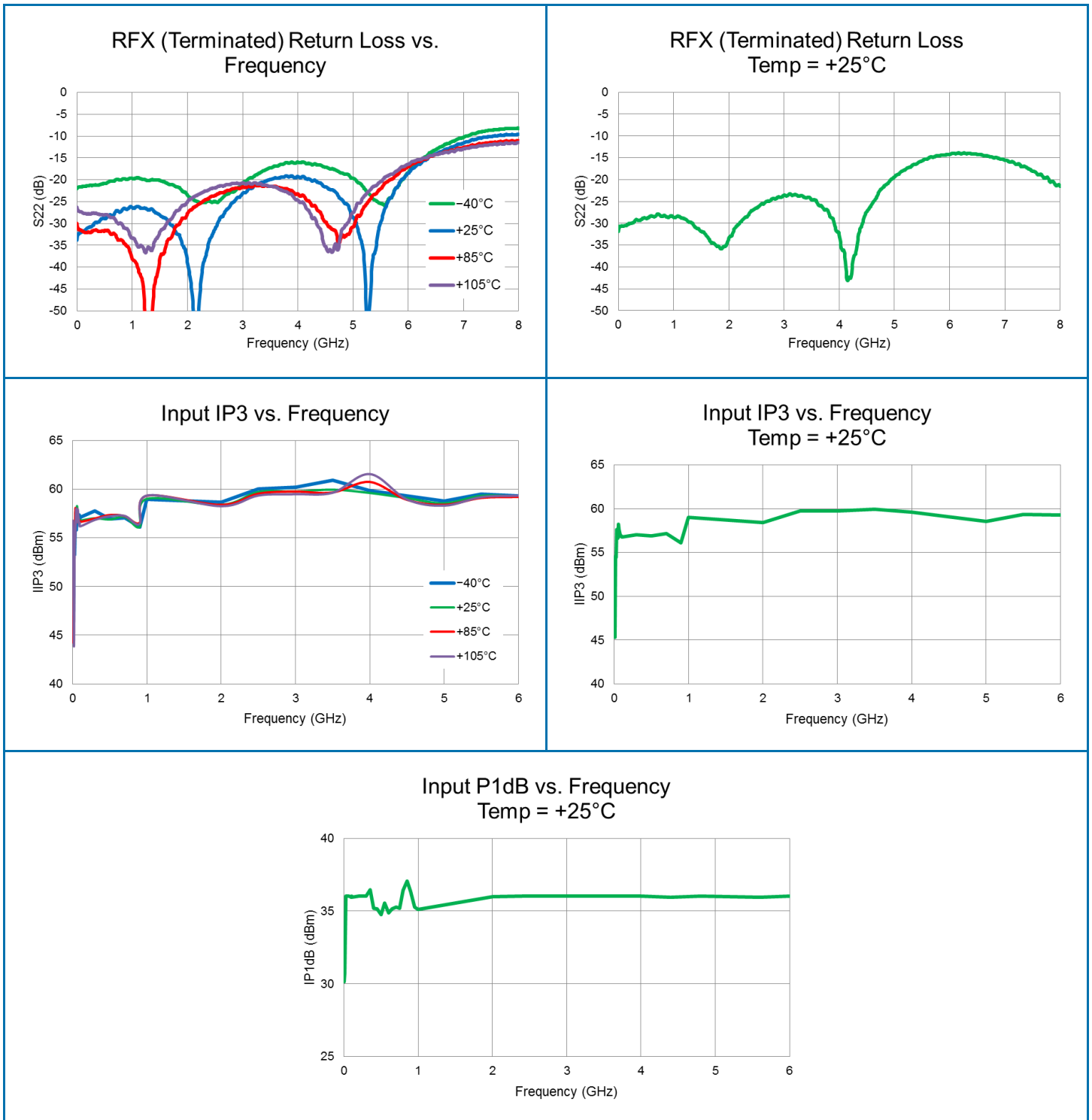
QPC6034

Typical Performance



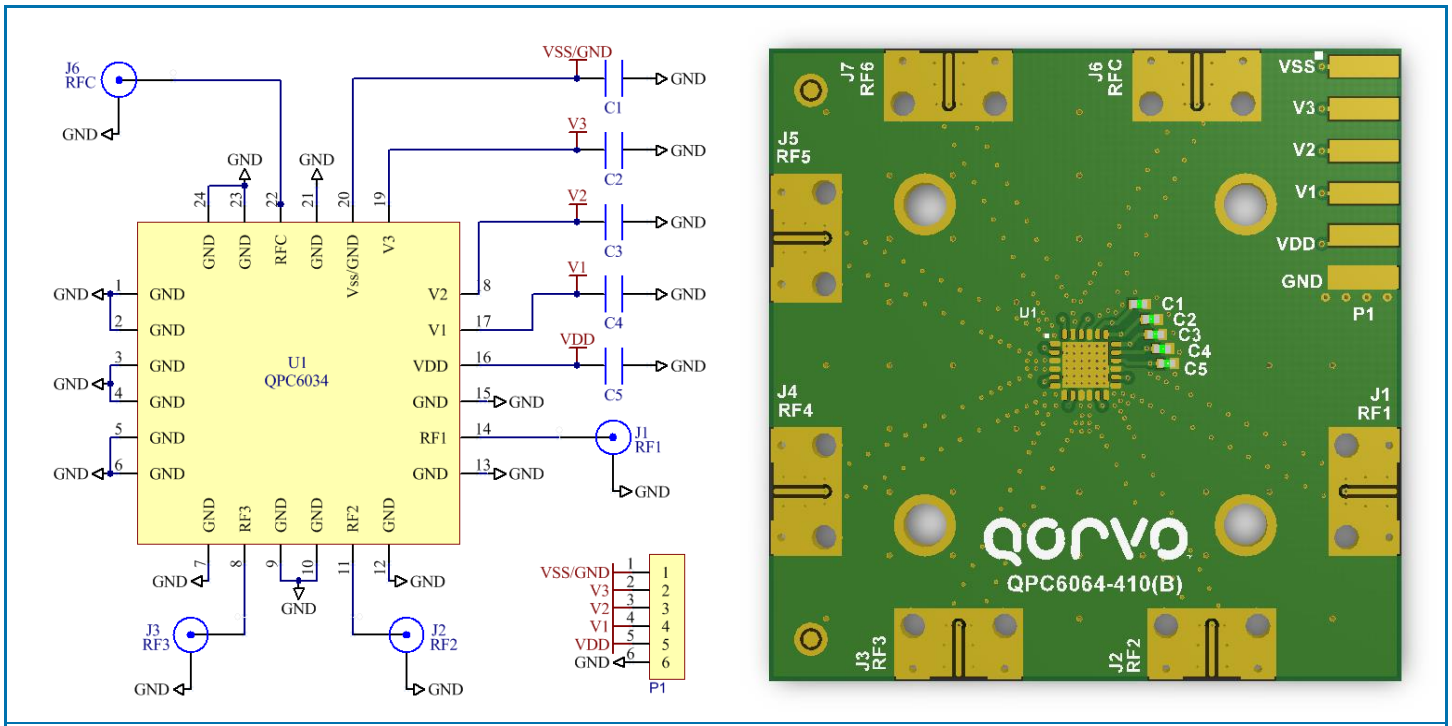
QPC6034

Typical Performance



# QPC6034

## Evaluation Board Schematic and PCB – 5MHz to 6000 MHz Application Circuit



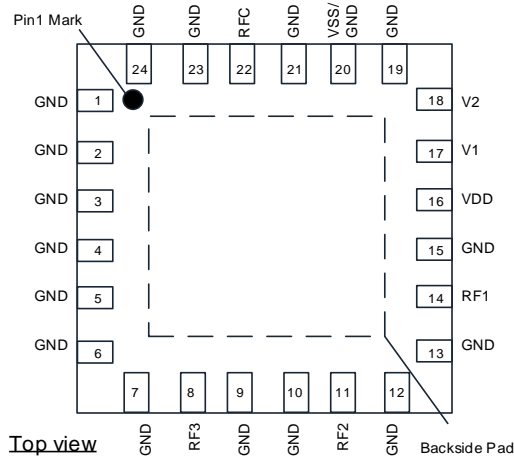
Note:  
The QPC6064-410 PCB is used within the family of QPC60x4 products based on the individual BOM per product.

## Evaluation Board Bill of Materials (BOM) - 5 MHz to 6000 MHz Application Circuit

Description	Reference Designator	Manufacturer	Manufacturer's P/N
Evaluation Board	-	Viasystems Technologies Corp.	QPC6064-410(B)
QPC6034	U1	RFMD / Qorvo	QPC6034
CAP, 100 pF, 5 %, 50 V, COG, 0402	C1-C5	Taiyo Yuden	RM UMK105CG101JV-F
CONN, SMA EL FLT VIPER, MAT-21-1038	J1 – J3, J6	Amphenol RF Asia Corp	901-10425
CONN, HDR, ST, PLRZD, 6-PIN	P1	AMP	640454-6

# QPC6034

## Pin Configuration and Description

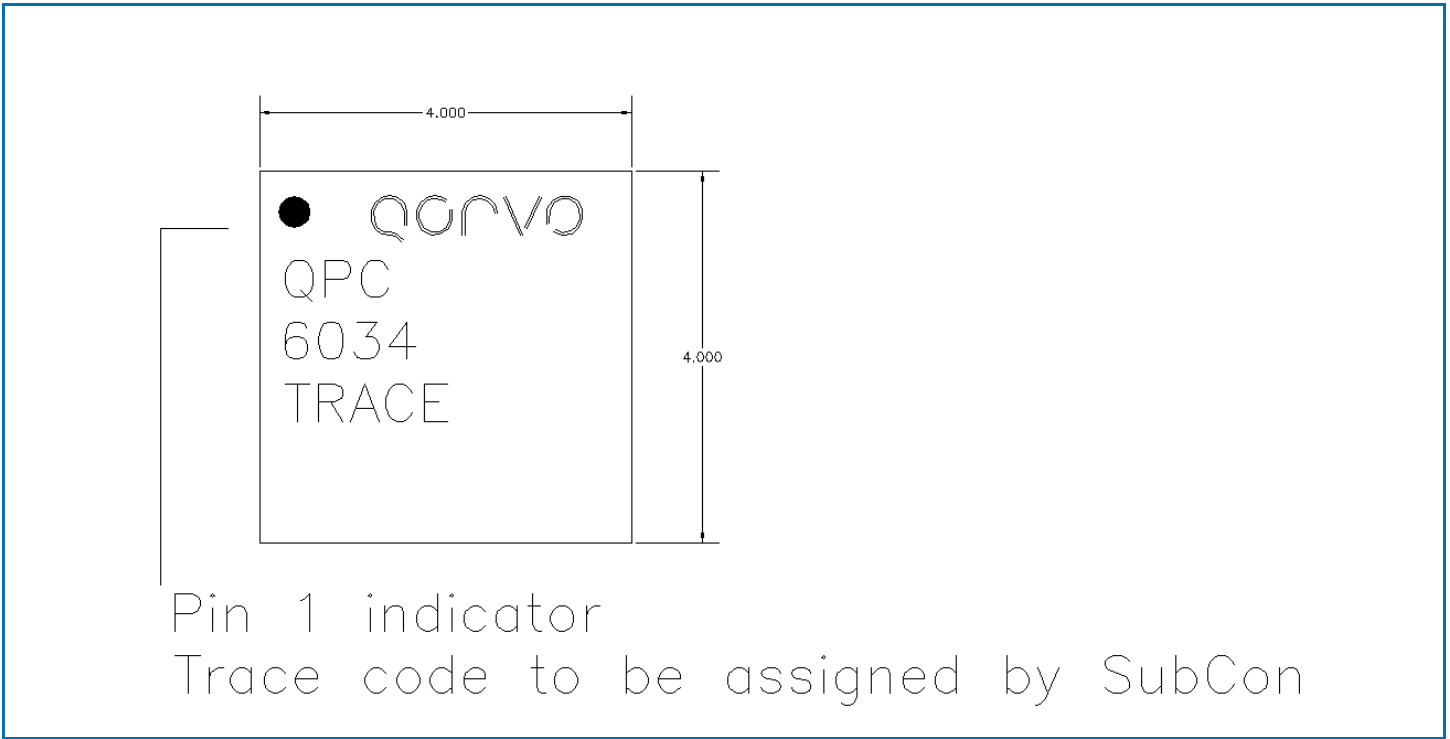


Pin	Label	Description
1 – 7, 9, 10, 12, 13, 15, 19, 21, 23, 24	GND	Connect to Low inductive Path to Ground
8	RF3	RF Port 3
11	RF2	RF Port 2
14	RF1	RF Port 1
16	V <sub>DD</sub>	Supply Voltage
17	V1	Control Pin
18	V2	Control Pin
20	V <sub>SS</sub> /GND	Negative Voltage Generator (NVG) control pin. Supply GND (Low inductive path to ground) to enable internal NVG or supply -2.7 V to -5 V to disable internal NVG. Once disabled, internal NVG cannot be enabled without cycling VDD.
22	RFC	RF Common Port
Backside Pad	GND	Connect to Low inductive Path to Ground

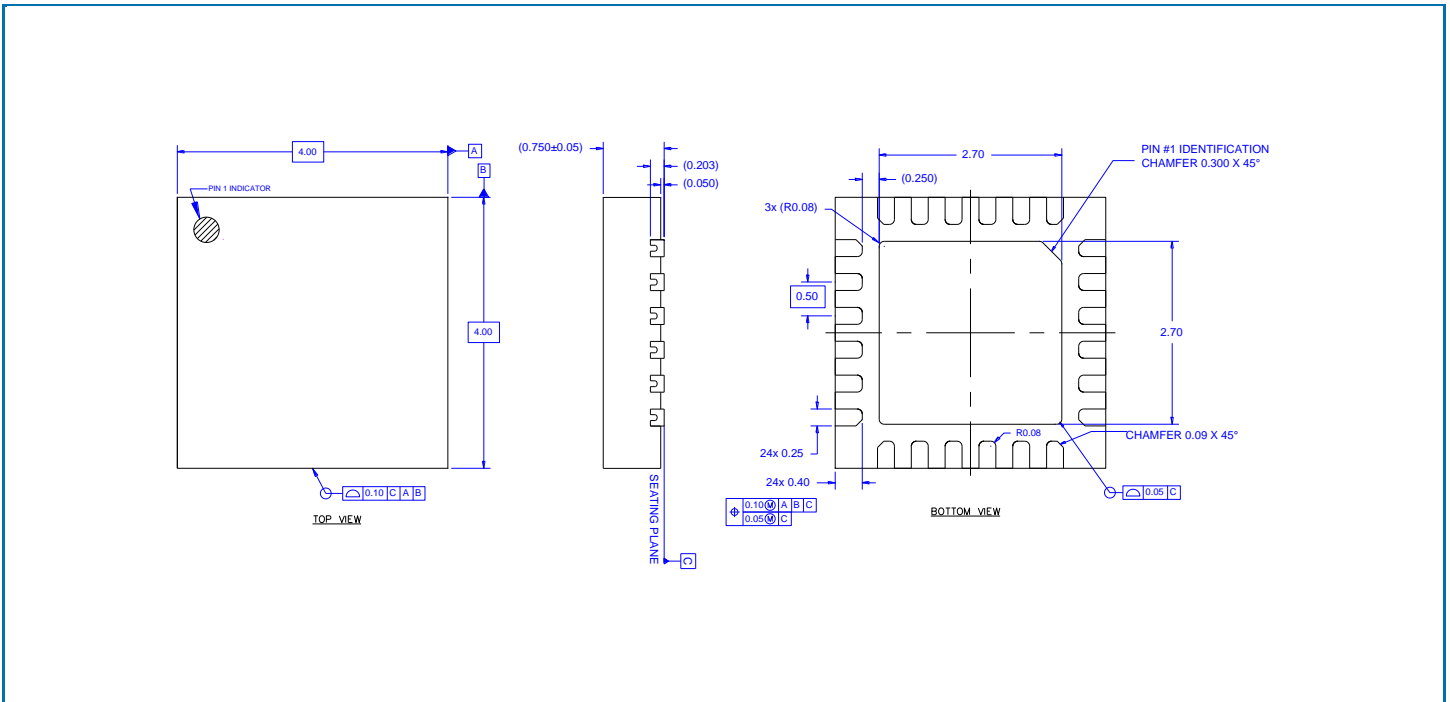


# QPC6034

## Package Marking

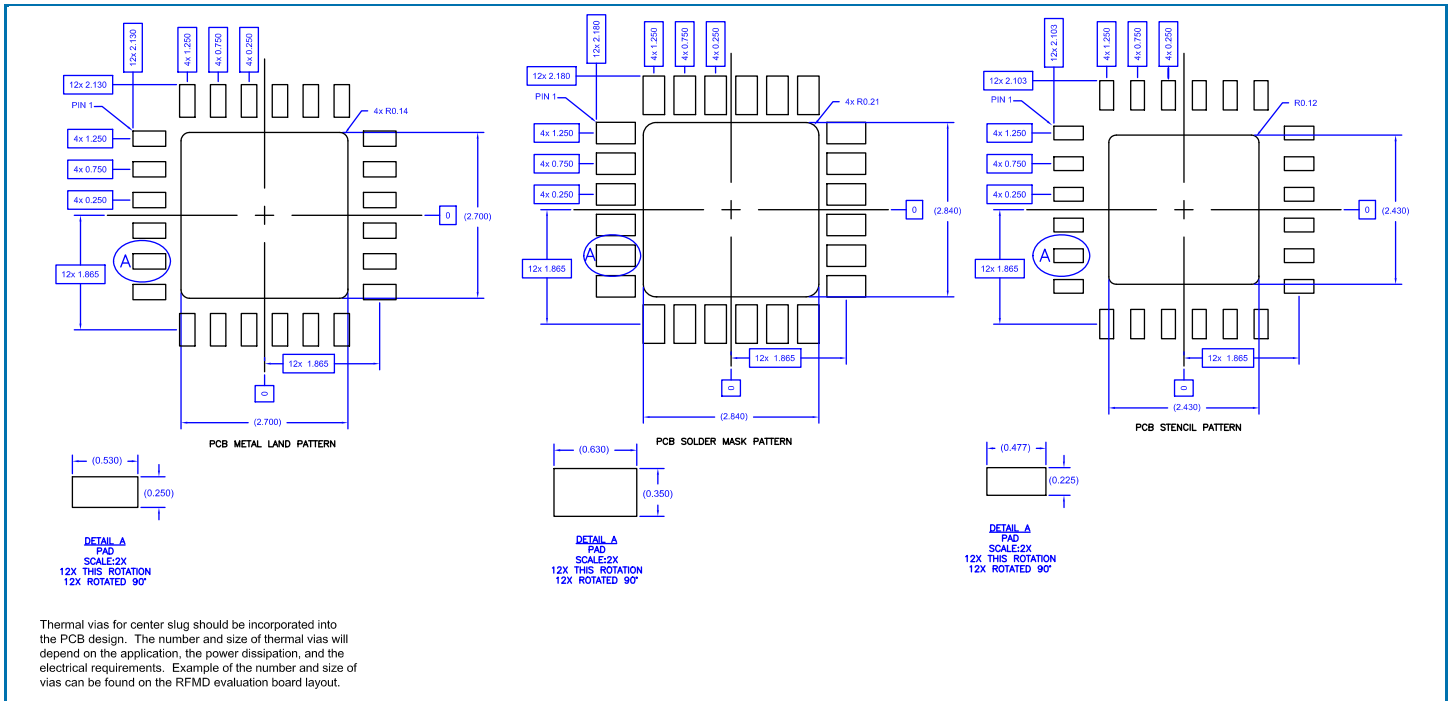


## Package Outline (Dimensions in millimeters)



# QPC6034

## PCB/ PCB Soldermask/ PCB Stencil Drawing (Dimensions in millimeters)



## Contact Information

For the latest specifications, additional product information, worldwide sales and distribution locations:

**Web:** [www.rfmd.com](http://www.rfmd.com)  
**Email:** [customer.support@qorvo.com](mailto:customer.support@qorvo.com)

**Tel:** 1-844-890-8163

For information about the merger of RFMD and TriQuint as Qorvo:

**Web:** [www.qorvo.com](http://www.qorvo.com)

## Important Notice

The information contained herein is believed to be reliable. RFMD makes no warranties regarding the information contained herein. RFMD assumes no responsibility or liability whatsoever for any of the information contained herein. RFMD assumes no responsibility or liability whatsoever for the use of the information contained herein. The information contained herein is provided "AS IS, WHERE IS" and with all faults, and the entire risk associated with such information is entirely with the user. All information contained herein is subject to change without notice. Customers should obtain and verify the latest relevant information before placing orders for RFMD products. The information contained herein or any use of such information does not grant, explicitly or implicitly, to any party any patent rights, licenses, or any other intellectual property rights, whether with regard to such information itself or anything described by such information.

RFMD products are not warranted or authorized for use as critical components in medical, life-saving, or life-sustaining applications, or other applications where a failure would reasonably be expected to cause severe personal injury or death.

## X-ON Electronics

Largest Supplier of Electrical and Electronic Components

*Click to view similar products for [RF Switch ICs](#) category:*

*Click to view products by [Qorvo](#) manufacturer:*

Other Similar products are found below :

[MASW-008853-TR3000](#) [BGS13SN8E6327XTSA1](#) [BGSX210MA18E6327XTSA1](#) [SKY13446-374LF](#) [SW-227-PIN](#) [CG2185X2](#) [CG2415M6](#)  
[MA4SW410B-1](#) [MASW-002102-13580G](#) [MASW-008543-001SMB](#) [MASW-008955-TR3000](#) [TGS4307](#) [BGS 12PL6 E6327](#)  
[BGS1414MN20E6327XTSA1](#) [BGS1515MN20E6327XTSA1](#) [BGSA11GN10E6327XTSA1](#) [BGSX28MA18E6327XTSA1](#) [HMC199AMS8](#)  
[HMC986A](#) [SKY13374-397LF](#) [SKY13453-385LF](#) [CG2430X1-C2](#) [CG2415M6-C2](#) [HMC986A-SX](#) [SW-314-PIN](#) [UPG2162T5N-E2-A](#)  
[SKY13416-485LF](#) [MASWSS0204TR-3000](#) [MASWSS0201TR](#) [MASWSS0181TR-3000](#) [MASW-007588-TR3000](#) [MASW-004103-13655P](#)  
[MASW-003102-13590G](#) [MASWSS0202TR-3000](#) [MA4SW310B-1](#) [MA4SW110](#) [SW-313-PIN](#) [CG2430X1](#) [SKY13321-360LF](#) [SKY13405-](#)  
[490LF](#) [BGSF 18DM20 E6327](#) [SKY13415-485LF](#) [MMS008PP3](#) [BGS13PN10E6327XTSA1](#) [SKY13319-374LF](#) [BGS14PN10E6327XTSA1](#)  
[SKY12213-478LF](#) [SKY13404-466LF](#) [MASW-011060-TR0500](#) [SKYA21024](#)