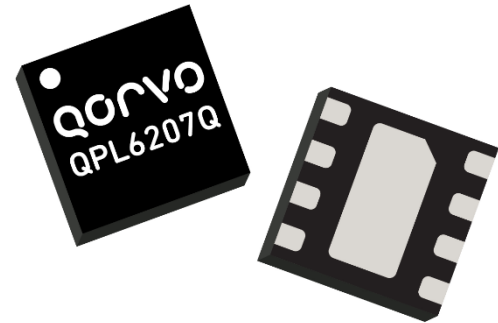
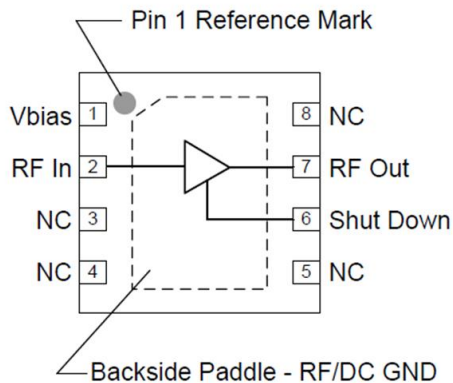


Product Description

The QPL6207Q is a high linearity, ultra-low noise gain block amplifier in a small 2x2 mm surface-mount package. At 2332 MHz, the amplifier typically provides +35 dBm OIP3. The amplifier does not require any negative supplies for operation and can be biased from positive supply rails from 3.3 to 5.25 V. The device is housed in a lead-free/green/RoHS-compliant industry-standard 2x2 mm package.

The QPL6207Q uses a high performance E-pHEMT process. The low noise amplifier contains an internal active bias to maintain high performance over temperature.

Functional Block Diagram



Package: DFN, 8-pin
2.0mm x 2.0mm x 0.85mm

Feature Overview

- Tested in accordance to AEC-100 Grade 2
- High Gain device – Typical value 18.5dB
- Ultra-low noise figure, 0.45 dB NF at 2332 MHz
- High linearity, +35 dBm Output IP3
- High input power ruggedness, >29 dBm PIN, MAX
- Unconditionally stable
- Externally controlled Icq with Vbias
- Integrated shutdown control pin
- 3.3-5.25 V positive supply voltage: -Vgg not required

Applications

- SDARS Active Antenna

Ordering Information

PART NUMBER	DESCRIPTION
QPL6207QSB	5 PIECE SAMPLE BAG
QPL6207QSQ	25 PIECE SAMPLE BAG
QPL6207QSR	100 PIECE 7" REEL
QPL6207QTR7	2500 PIECE 7" REEL
QPL6207QPCK-01	EVALUATION BOARD + 5 PIECE SAMPLE BAG



Absolute Maximum Ratings

PARAMETER	RATING	UNITS
Storage Temperature	-65 to 150°	C
Supply Voltage (V _{DD})	+7	V
RF Input Power, CW, 50Ω, T = 25°C	+30	dBm

Recommended Operating Conditions

PARAMETER	MIN	TYP	MAX	UNITS
Supply Voltage (V _{DD})	+3.3	+4.5	+5.25	V
Bias Voltage (V _{bias})	+3.3	+3.6	+5.25	V
TCASE	-40		+105	°C
T _J (for >10 ⁶ hours MTTF)			+190	°C

Electrical Specifications at +25°C

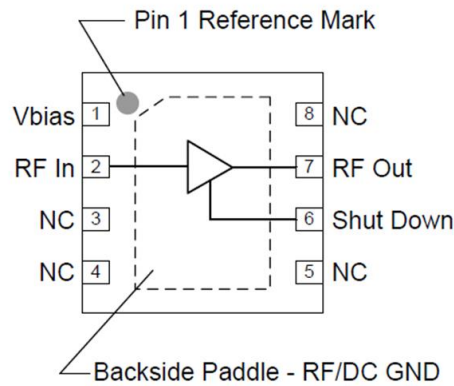
PARAMETER	CONDITIONS	MIN	TYP	MAX	UNITS
Operational Frequency Range		2320	2332	2345	MHz
Test Frequency			2330		MHz
Gain		18.1	18.5	20	dB
Input Return Loss			9.5		dB
Output Return Loss			8.5		dB
Output P1dB		+19.5	+21.5		dBm
Output IP3	P _{out} =+5 dBm/tone, Δf=1 MHz	+31	+35		dBm
Noise Figure ¹			0.45	0.7	dB
Power Shutdown Control (Pin 6)	On state	0		0.63	V
	Off state (Power down)	1.17	3.3	V _{DD}	V
Current, I _{DD} ²	On state	38	55	68	mA
	Off state (Power down)		3	5	mA
Shutdown pin current, I _{SD}	V _{PD} ≥ 1.17 V		60	500	μA
Thermal Resistance, θ _{jc}	Channel to case		53.4		°C/W

Test conditions unless otherwise noted: V_{DD} = +4.5V, V_{bias} = +3.6V, Temp=+25°C, 50 Ω system

Note: 1) Noise Figure data has input trace loss de-embedded

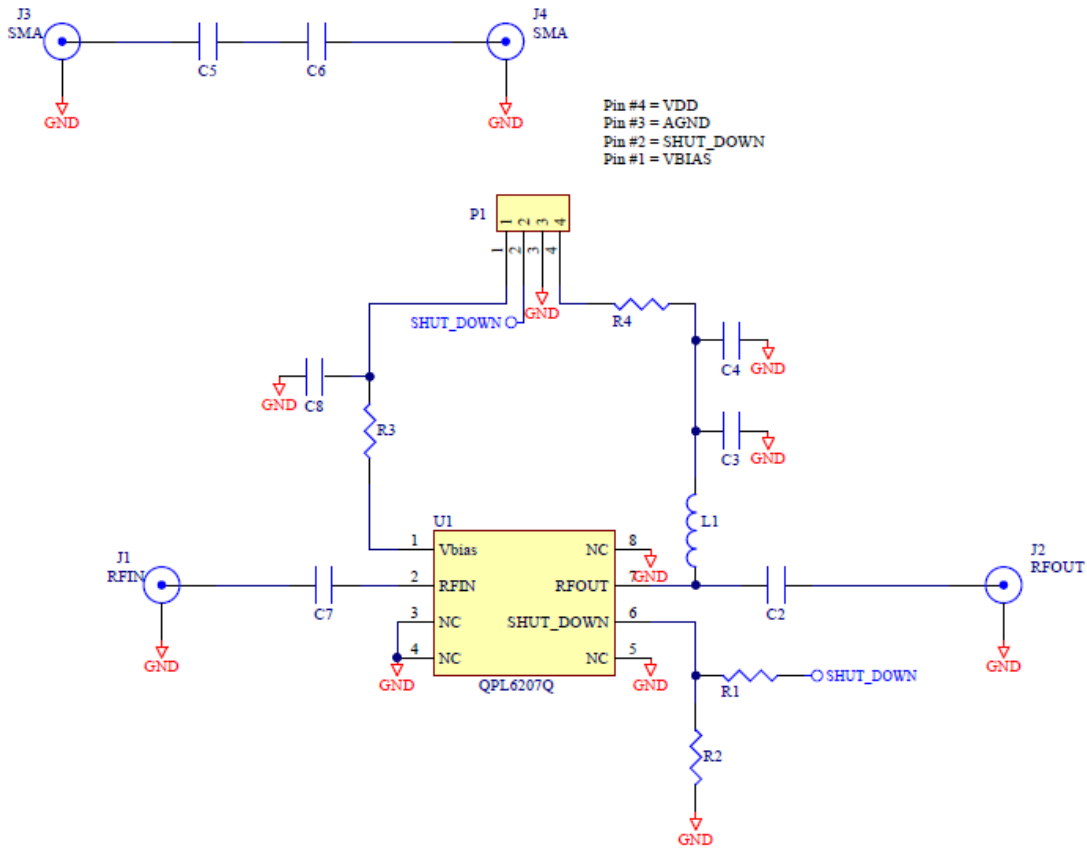
2) I_{cq} set by external 2.7K resistor

Pin Configuration and Description



Pin No.	Label	Description
1	Vbias	Sets the Icq bias point for the device.
2	RF In	RF Input pin. A DC Block is required.
6	Shut Down	A high voltage (>1.17V) turns off the device. If the pin is pulled to ground or driven with a voltage less than 0.63V, then the device will operate under LNA ON state.
7	RF Out / DCBias	RF Output pin. DC bias will also need to be injected through a RF bias choke/inductor for operation.
3, 4, 5, 8	NC	No electrical connection. Provide grounded land pads for PCB mounting integrity.
Backside Paddle	RF/DC GND	RF/DC ground. Use recommended via pattern to minimize inductance and thermal resistance; see PCB Mounting Pattern for suggested footprint.

Applications Schematic

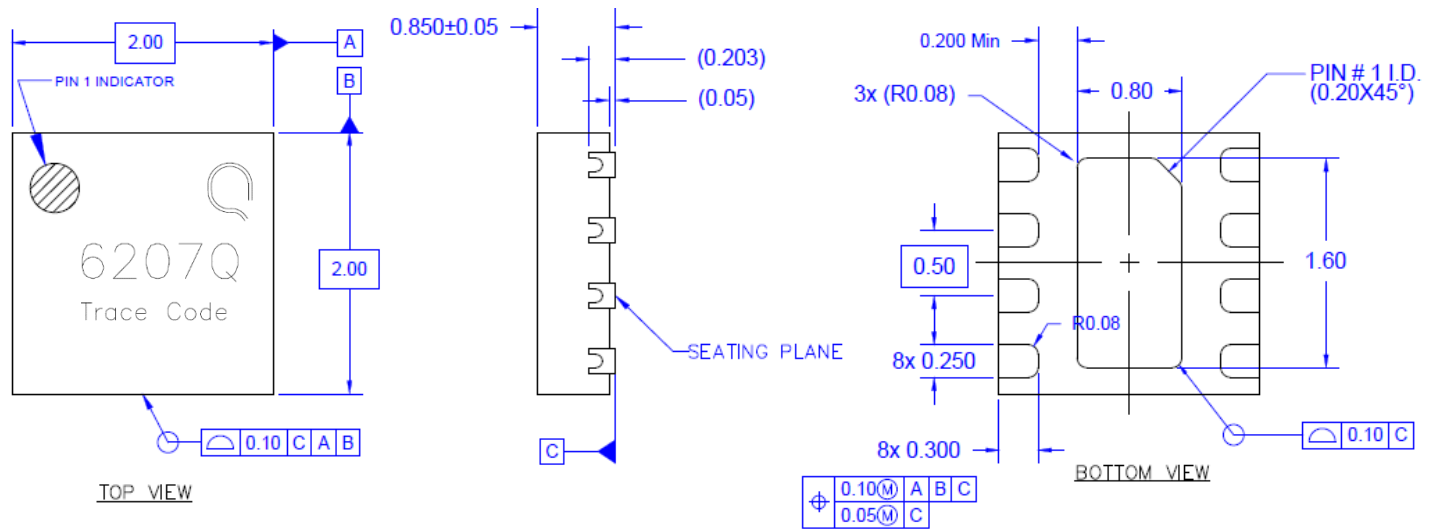


Qty	Ref Des	Description	Vbias=3.6V	Icq	40mA	50mA	60mA	70mA	80mA
1		High Linearity, SDARS LNA	Vdd=4.5V	R3	4.6K	3.3K	2.55K	1.9K	1.55K
1		PCB, QPL6207Q							
5	C2,C5,C6,C7,C8	CAP, 100pF, 5%, 50V, C0G, 0402							
1	C3	CAP, 1000pF, 10%, 50V, X7R, 0402							
1	C4	CAP, 1uF, 10%, 6.3V, X7R, 0402							
1	R3	RES, 2.7K OHM, ±1% 1/10W, 0402							
2	R1,R4	RES, 0 OHM, 5%, 1/10W, 0402							
1	R2	RES, 20K, 5%, 1/16W, 0402							
1	L1	IND, 18nH, 5%, M/L, 0402							
4	J1,J2,J3,J4	862000-422 CONN .062 RF SMA F STRT FLANG							
1	P1	CONN, HDR, ST, PLRZD, 4-PIN, 0.100"							

Mechanical Information

Marking: Part number – 6207Q

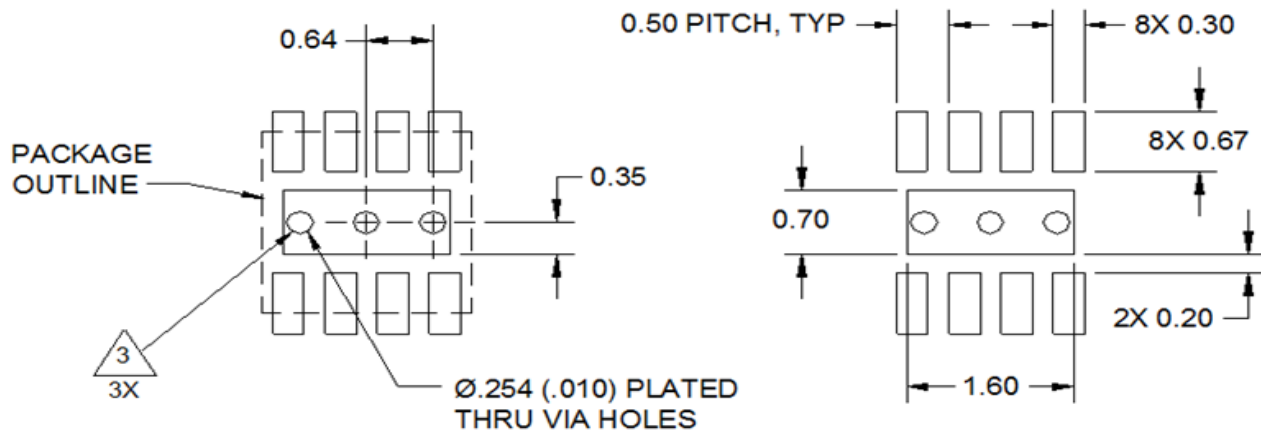
Trace Code – XXXX



NOTES:

1. All dimensions are in millimeters. Angles are in degrees.
2. Except where noted, this part outline conforms to JEDEC standard MO-220, Issue E (Variation VGGC) for thermally enhanced plastic very thin fine pitch quad flat no lead package (QFN).
3. Dimension and tolerance formats conform to ASME Y14.4M-1994.
4. The terminal #1 identifier and terminal numbering conform to JESD 95-1 SPP-012.

PCB Mounting Pattern



NOTES:

1. All dimensions are in millimeters. Angles are in degrees.
2. Use 1 oz. copper minimum for top and bottom layer metal.
3. Vias are required under the backside paddle of this device for proper RF/DC grounding and thermal dissipation. We recommend a 0.35mm (#80/.0135") diameter bit for drilling via holes and a final plated thru diameter of 0.25 mm (0.10").
4. Ensure good package backside paddle solder attach for reliable operation and best electrical performance.

Product Compliance Information

ESD Sensitivity Ratings



Caution! ESD-Sensitive Device

ESD Rating: Class 1B
Value: Passes ≥ 500 V to < 1000 V
Test: Human Body Model (HBM)
Standard: JEDEC Standard JESD22-A114

ESD Rating: Class C3
Value: Passes ≥ 1000 V to < 2000 V
Test: Charged Device Model (CDM)
Standard: JEDEC Standard JESD22-C101

MSL Rating

MSL Rating: Level 1
Test: 260°C convection reflow
Standard: JEDEC Standard IPC/JEDEC J-STD-020

Solderability

Compatible with both lead-free (260 °C max. reflow temperature) and tin/lead (245 °C max. reflow temperature) soldering processes.

Package contact plating: NiPdAu

This part is compliant with EU 2002/95/EC RoHS directive (Restrictions on the Use of Certain Hazardous Substances in Electrical and Electronic Equipment).

RoHs Compliance

This product also has the following attributes:

- Lead Free
- Halogen Free (Chlorine, Bromine)
- Antimony Free
- TBBP-A (C₁₅H₁₂Br₄O₂) Free
- PFOS Free
- SVHC Fr

Contact Information

For the latest specifications, additional product information, worldwide sales and distribution locations:

Web: www.qorvo.com

Tel: 1-844-890-8163

Email: customer.support@qorvo.com

Important Notice

The information contained herein is believed to be reliable; however, Qorvo makes no warranties regarding the information contained herein and assumes no responsibility or liability whatsoever for the use of the information contained herein. All information contained herein is subject to change without notice. Customers should obtain and verify the latest relevant information before placing orders for Qorvo products. The information contained herein or any use of such information does not grant, explicitly or implicitly, to any party any patent rights, licenses, or any other intellectual property rights, whether with regard to such information itself or anything described by such information.

Without limiting the generality of the foregoing, Qorvo products are not warranted or authorized for use as critical components in medical, life-saving, or life-sustaining applications, or other applications where a failure would reasonably be expected to cause severe personal injury or death.

Copyright 2016 © Qorvo, Inc. | Qorvo is a registered trademark of Qorvo, Inc.

X-ON Electronics

Largest Supplier of Electrical and Electronic Components

Click to view similar products for [RF Amplifier](#) category:

Click to view products by [Qorvo](#) manufacturer:

Other Similar products are found below :

[A82-1](#) [BGA622H6820XTSA1](#) [BGA 728L7 E6327](#) [BGB719N7ESDE6327XTMA1](#) [HMC397-SX](#) [HMC405](#) [HMC561-SX](#) [HMC8120-SX](#)
[HMC8121-SX](#) [HMC-ALH382-SX](#) [HMC-ALH476-SX](#) [SE2433T-R](#) [SMA3101-TL-E](#) [SMA39](#) [A66-1](#) [A66-3](#) [A67-1](#) [A81-2](#) [LX5535LQ](#)
[LX5540LL](#) [MAAM02350](#) [HMC3653LP3BETR](#) [HMC549MS8GETR](#) [HMC-ALH435-SX](#) [SMA101](#) [SMA32](#) [SMA411](#) [SMA531](#)
[SST12LP19E-QX6E](#) [WPM0510A](#) [HMC5929LS6TR](#) [HMC5879LS7TR](#) [HMC1087F10](#) [HMC1086](#) [HMC1016](#) [SMA1212](#) [MAX2689EWS+T](#)
[MAAMSS0041TR](#) [MAAM37000-A1G](#) [LTC6430AIUF-15#PBF](#) [SMA70-2](#) [SMA4011](#) [A231](#) [HMC-AUH232](#) [LX5511LQ](#) [LX5511LQ-TR](#)
[HMC7441-SX](#) [HMC-ALH310](#) [XD1001-BD-000V](#) [A4011](#)